
GARDNER DENVER®

3-1-535
Version 2
February 2003

TRIPLEX PISTON PUMP

5" STROKE

**MODEL
THE**

**4" to 5.5" PISTON SIZE
HORIZONTAL
HEAVY DUTY PUMP**

PARTS LIST

**Gardner
Denver**

**MAINTAIN PUMP RELIABILITY AND PERFORMANCE
WITH GENUINE GARDNER DENVER®
PARTS AND SUPPORT SERVICES**

Gardner Denver® and OPI® genuine pump parts are manufactured to design tolerances and are developed for optimum dependability. Design and material innovations are the result of years of experience with hundreds of different pump applications. Reliability in materials and quality assurance are incorporated in our genuine replacement parts.

Your authorized Gardner Denver and OPI distributor offers all the backup you'll need. A worldwide network of authorized distributors provides the finest product support in the pump industry. Your local authorized distributor maintains a large inventory of genuine parts and he is backed up for emergency parts by direct access to the Gardner Denver Master Distribution Center (MDC) in Memphis, Tennessee.

Your authorized distributor can support your Gardner Denver and OPI pump needs with these services:

1. Trained parts specialists to assist you in selecting the correct replacement parts.
2. Repair and maintenance kits designed with the necessary parts to simplify servicing your pump.

Authorized distributor service technicians are factory trained and skilled in pump maintenance and repair. They are ready to respond and assist you by providing fast, expert maintenance and repair services.

For the location of your local authorized Gardner Denver and OPI distributor, refer to the yellow pages of your phone directory or contact:

Distribution Center:

Gardner Denver
Master Distribution Center
5585 East Shelby Drive
Memphis, TN 38141

Phone: (901) 542-6100
(800) 245-4946

Fax: (901) 542-6159

Factory:

Gardner Denver
1800 Gardner Expressway
Quincy, IL 62301

Phone: (217) 222-5400

Fax: (217) 224-7814

INSTRUCTIONS FOR ORDERING REPAIR PARTS

When ordering parts, specify Pump MODEL and SERIAL NUMBER (see nameplate on unit). The Serial Number is also stamped on top of the cylinder end of the frame (cradle area).

All orders for Parts should be placed with the nearest authorized distributor.

Where NOT specified, quantity of parts required per pump or unit is one (1); where more than one is required per unit, quantity is indicated in parenthesis. **SPECIFY EXACTLY THE NUMBER OF PARTS REQUIRED.**

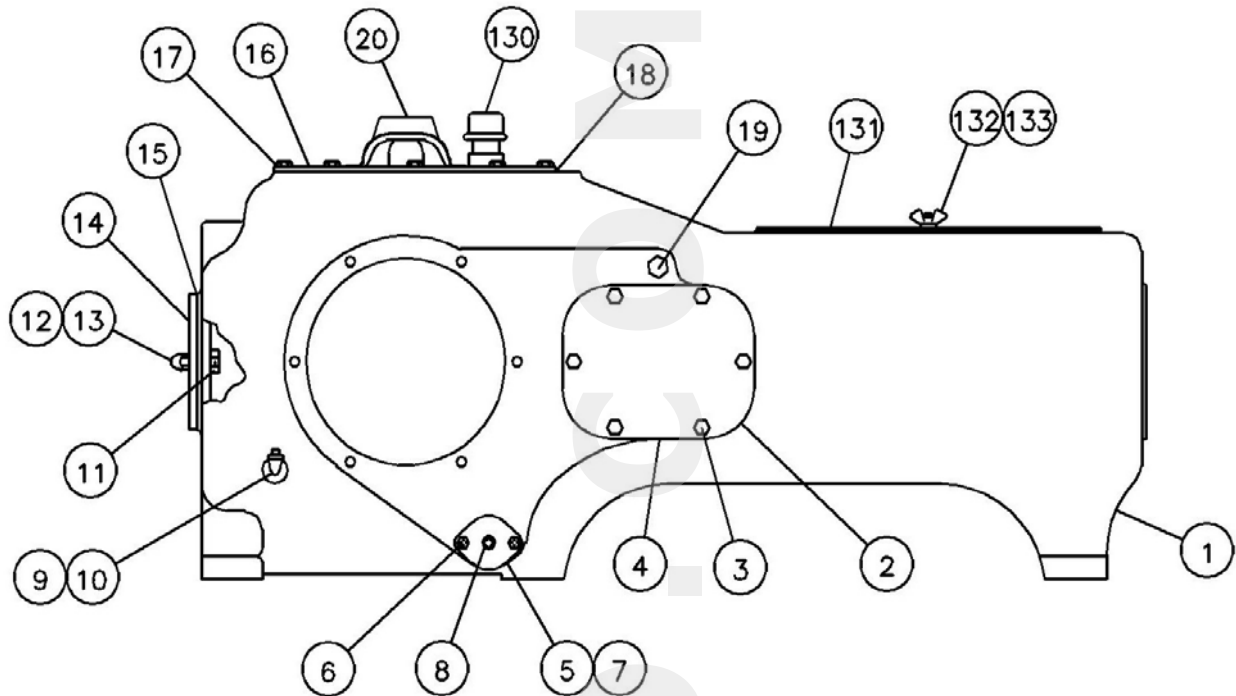
DO NOT ORDER BY SETS OR GROUPS.

To determine the Right Hand and Left Hand side of a pump, stand at the power end and look toward the fluid end. Right Hand and Left Hand are indicated in parenthesis following the part name, i.e. (RH) and (LH), when appropriate.

TABLE OF CONTENTS

Maintain Pump Reliability And Performance.....	i
Instructions For Ordering Repair Parts	i
Frame Group.....	1
Lubrication Piping.....	2
Crosshead & Oil Stop Head Group.....	3
Eccentric, Shaft & Bearing Group - Splined Drive, Flanged Gearbox Mount	4
Eccentric, Shaft & Bearing Group - Keyed Drive Shaft, Standard Bearing Carrier	5
Connecting Rod	6
Crosshead Lubrication Piping	7
Rod Wash System	8
Fluid Cylinder Assembly.....	9, 9
Piston Rod Assembly.....	11
Suction And Discharge Valves.....	12
Flanges.....	13

Order by Part Number and Description. Reference Numbers are shown for your convenience only.



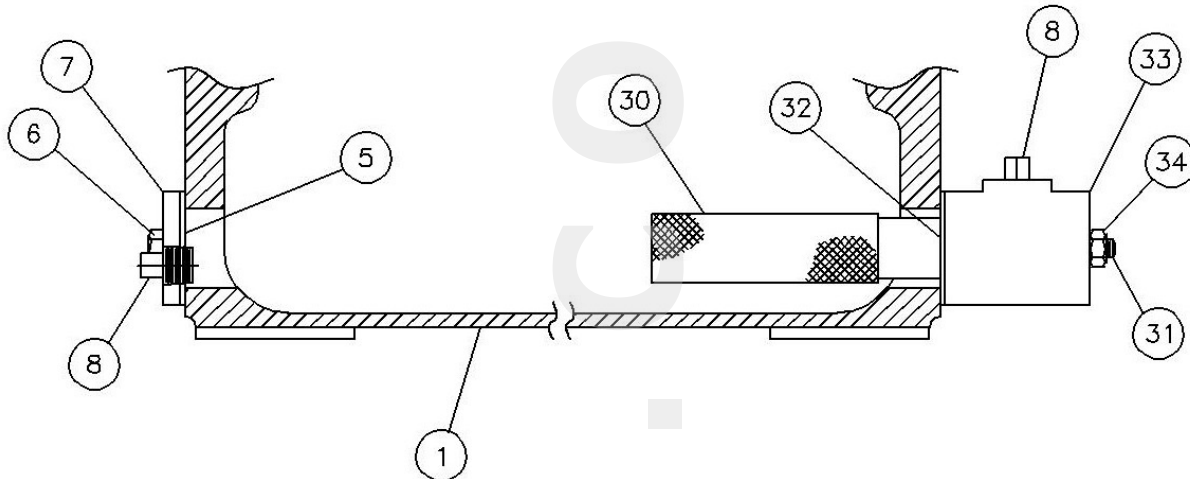
(Ref. Drawing No. 310TEE810-A)

FRAME GROUP

Ref. No.	Description	Qty.	301TEE2003 Part No.
1	FRAME (POWER END)	1	302TEE001
2	INSPECTION PLATE	2	PE723
3	SCREW	12	75A136
4	GASKET	2	25C1941
5	GASKET	2	25C157N
6	SCREW	4	655ED030
7	FLANGE	2	29AUX27
8	PLUG	2	64AA7
9	PLUG	2	64AA5
11	RETAINER PLATE	1	PE1400
12	ACORN NUT	3	50Q14
13	COPPER GASKET	3	25F44
14	INSPECTION PLATE (CRADLE COVER)	1	200TEE052
15	GASKET	1	200TEE715
16	HOOD	1	201TEE053
17	SCREW	12	75A136
18	GASKET	1	201TEE715
19	PLUG (OPPOSITE SIDE)	2	64B3
20	LIFTING EYE*	2	200TEE263
130	BREATHER	1	5C7
131	INSPECTION PLATE (CRADLE COVER)	1	300TEE052
132	STUD	2	79A466
133	WING NUT	2	50H1

*NOT SHOWN

Order by Part Number and Description. Reference Numbers are shown for your convenience only.

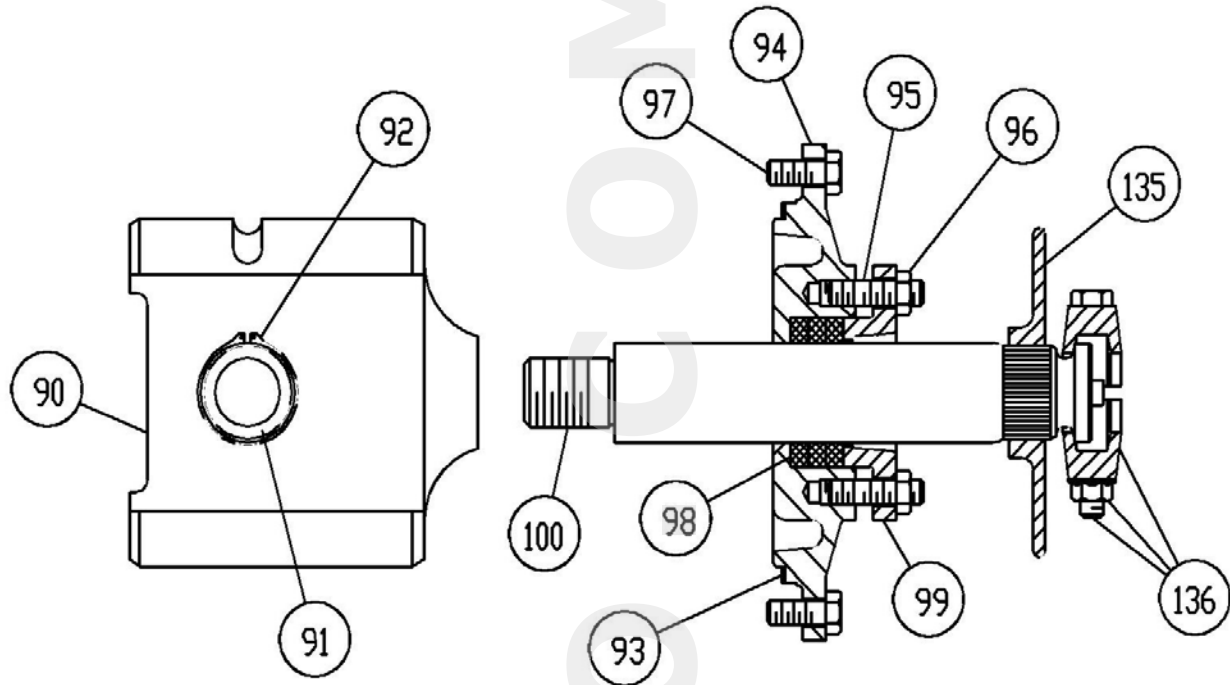


(Ref. Drawing No. 300THE810)

LUBRICATION PIPING

Ref. No.	Description	Qty.	301TEE2003 Part No.
1	FRAME (POWER END)	1	302TEE001
5	GASKET	1	25C157N
6	SCREW	2	655ED030
7	FLANGE	1	29AUX27
8	PLUG	2	64AA7
30	SCREEN-OIL	1	2WAJ511
31	STUD (CONNECTOR TO FRAME)	2	79A204
32	GASKET	1	25C157N
33	CONNECTOR	1	200PEE284
34	NUT	2	50B3

Order by Part Number and Description. Reference Numbers are shown for your convenience only.



(Ref. Drawing No. 300TEE810-B)

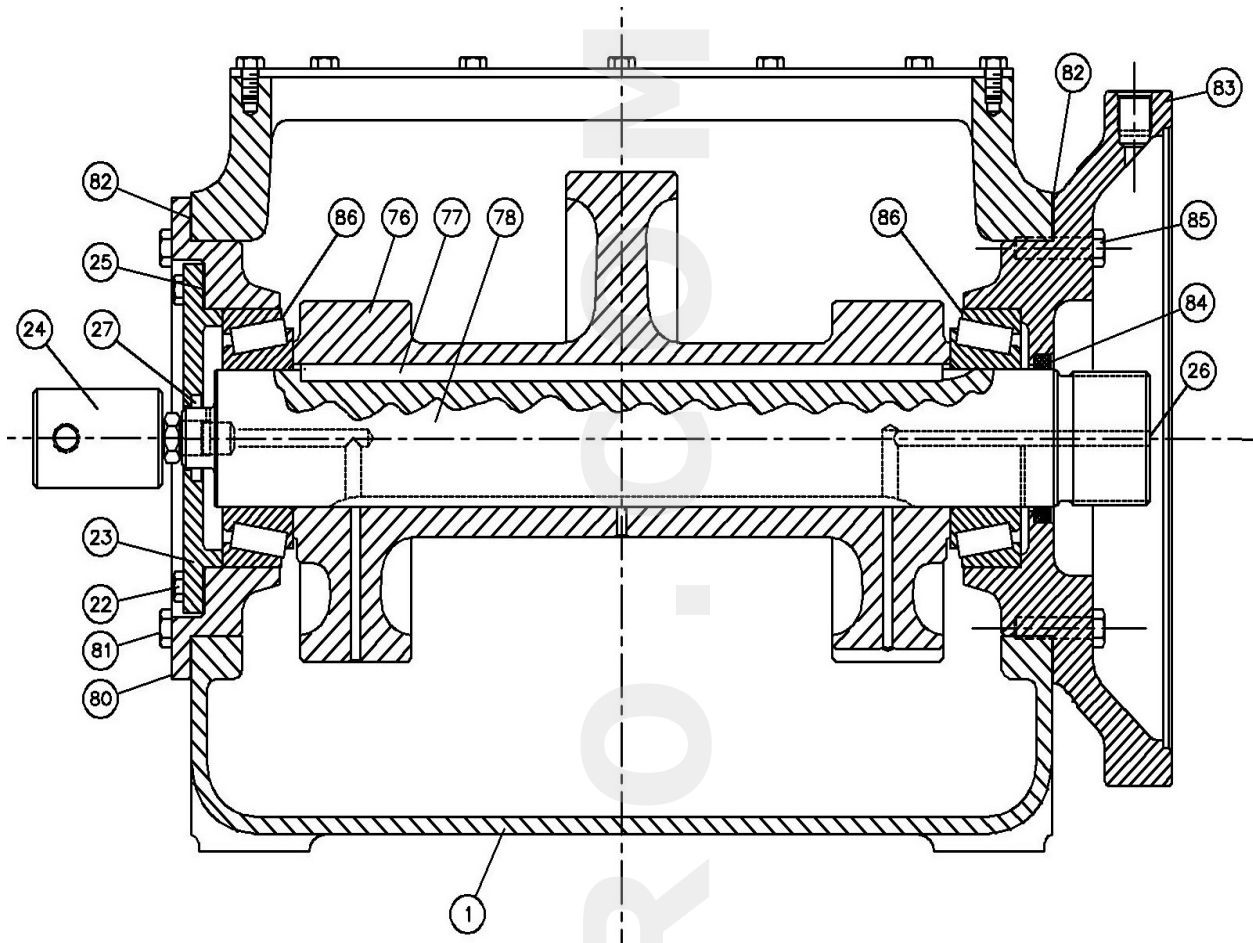
CROSSHEAD & OIL STOP HEAD GROUP

Ref. No.	Description	Qty.	301TEE2003 Part No.
90	CROSSHEAD.....	3	300TEE005
	OVERSIZED CROSSHEAD (Optional).....	3	301TEE005
91	CROSSHEAD PIN.....	3	2005051
92	RETAINING RING.....	6	65W19
93	GASKET.....	3	25C1948
94	OIL STOP HEAD.....	3	PE226
95	STUD.....	6	79A238
96	NUT.....	6	50F5
97	SCREW.....	12	655EE050
98	PACKING.....	3	60DD99
99	GLAND.....	3	PE238
100	EXTENSION ROD.....	3	300TEE839
135	PISTON ROD BAFFLE.....	3	200TAE840
136	PISTON ROD CLAMP.....	3	201TAE092A

The one-piece combination crosshead/extension rod on models prior to serial number 917132 is no longer offered and must be replaced with the two-piece crosshead/extension rod, available in the following conversion kit.

CONVERSION KIT (Includes items 90, 100 and 135).....	3	300TEE6005
EXTENSION ROD BAFFLE (Required).....	3	PE840
CONVERSION KIT - OVERSIZED CROSSHEAD.....	3	301TEE6005
(Includes items 100, 135 and P/N 301TEE005 oversized crosshead)		
EXTENSION ROD BAFFLE (Required).....	3	PE840

Order by Part Number and Description. Reference Numbers are shown for your convenience only.

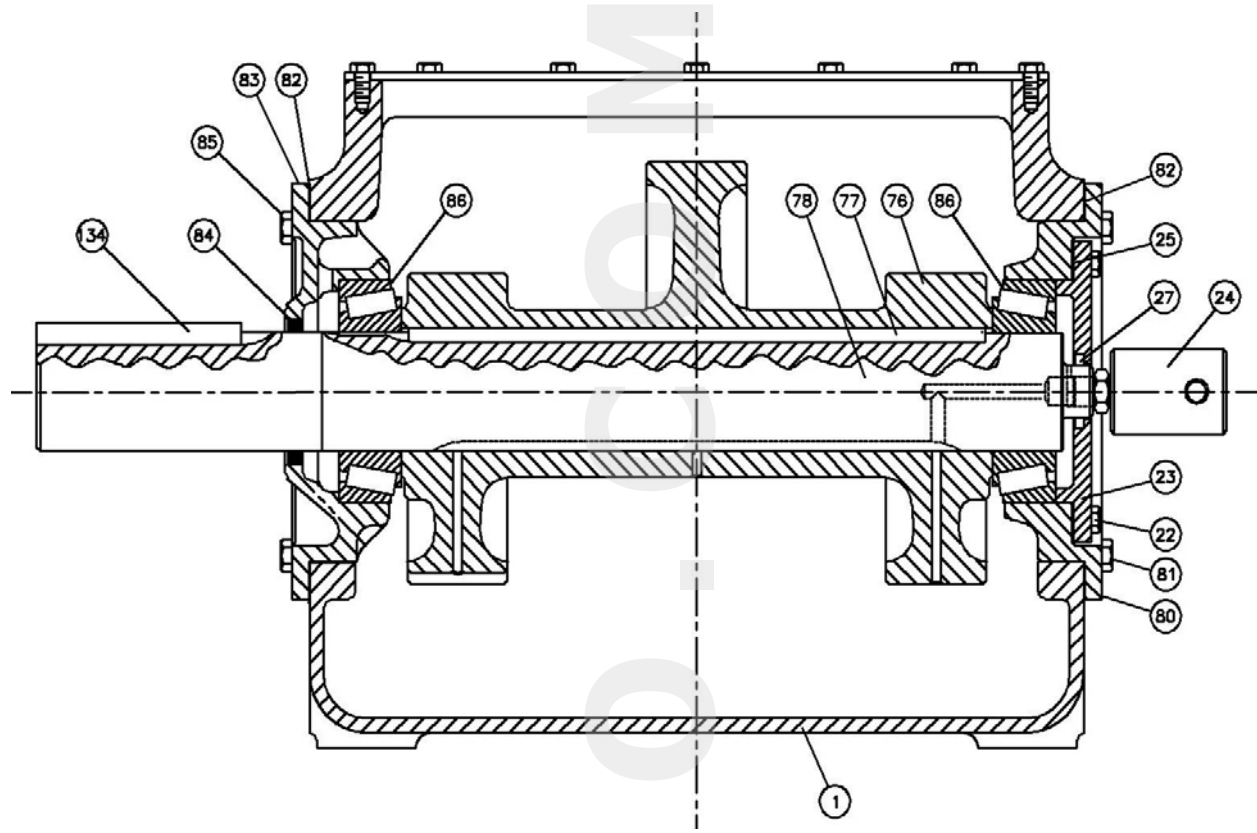


(Ref. Drawing No. 316TEE810)

**ECCENTRIC, SHAFT & BEARING GROUP
SPLINED DRIVE – FLANGED GEARBOX MOUNT**

Ref. No.	Description	Qty.	301TEE2003 Part No.
23	CARRIER	1	300TEE1148
24	ROTARY UNION.....	1	300TEE586
25	SHIM	2	77H106
26	PLUG.....	1	64B35
27	SEAL OIL	1	901SH02-13
76	ECCENTRIC	1	200TEE255
77	KEY	1	300TEE062
78	SHAFT.....	1	300TEE050
79	SCREW	6	75AA1
80	BEARING HOUSING	1	301TEE006
81	SCREW	6	655EF050
82	GASKET	2	25C1945
83	BEARING HOUSING	1	300TEE006
84	OIL SEAL	1	60G63
85	SCREW	6	655EF098
86	BEARING	2	12BA64

Order by Part Number and Description. Reference Numbers are shown for your convenience only.

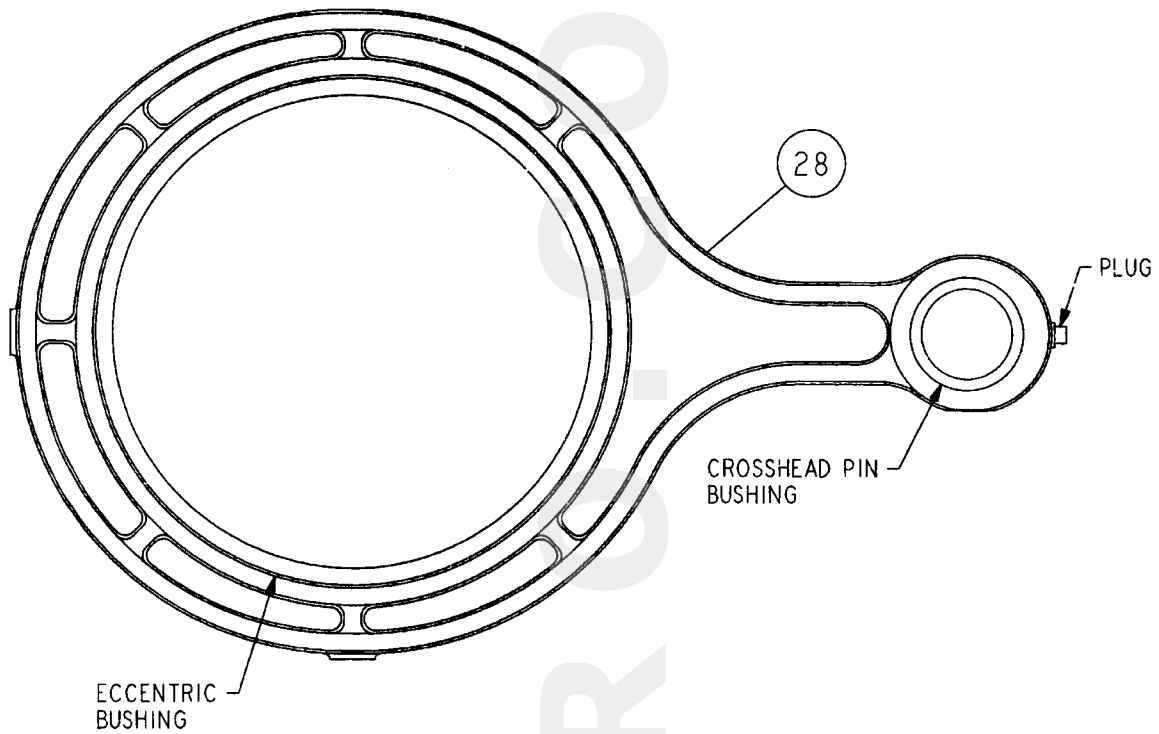


(Ref. Drawing No. 321TEE810)

**ECCENTRIC, SHAFT & BEARING GROUP
KEYED DRIVE SHAFT – STD BEARING CARRIER**

Ref. No.	Description	Qty.	301TEE2003 Part No.
23	CARRIER	1	300TEE1148
24	ROTARY UNION.....	1	300TEE586
25	SHIM	2	77H106
26	PLUG.....	1	64B35
27	OIL SEAL	1	901SH02-13
76	ECCENTRIC	1	200TEE255
77	KEY	1	300TEE062
78	SHAFT.....	1	301TEE050
79	SCREW.....	6	75AA1
80	BEARING HOUSING	1	301TEE006
81	SCREW.....	6	655EF050
82	GASKET	2	25C1945
83	BEARING HOUSING	1	3PE366
84	OIL SEAL	1	60G63
85	SCREW.....	6	655EF098
86	BEARING	2	12BA64
134	KEY	1	35B72

Order by Part Number and Description. Reference Numbers are shown for your convenience only.

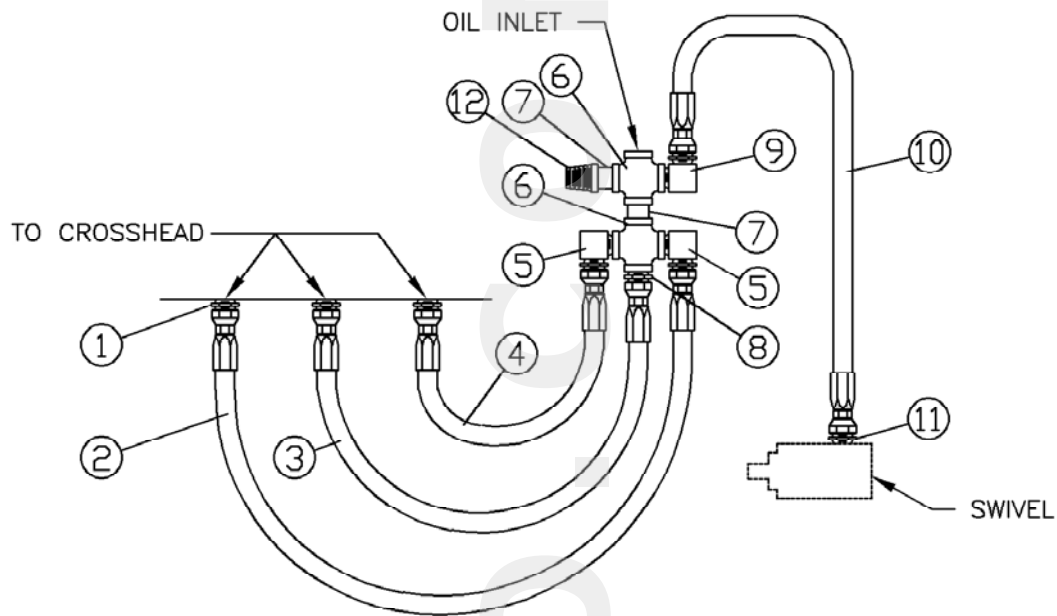


(Ref. Drawing No. 321TEE810)

CONNECTING ROD

Ref. No.	Description	Qty.	Part No.
28	CONNECTING ROD	3	PE417

Order by Part Number and Description. Reference Numbers are shown for your convenience only.

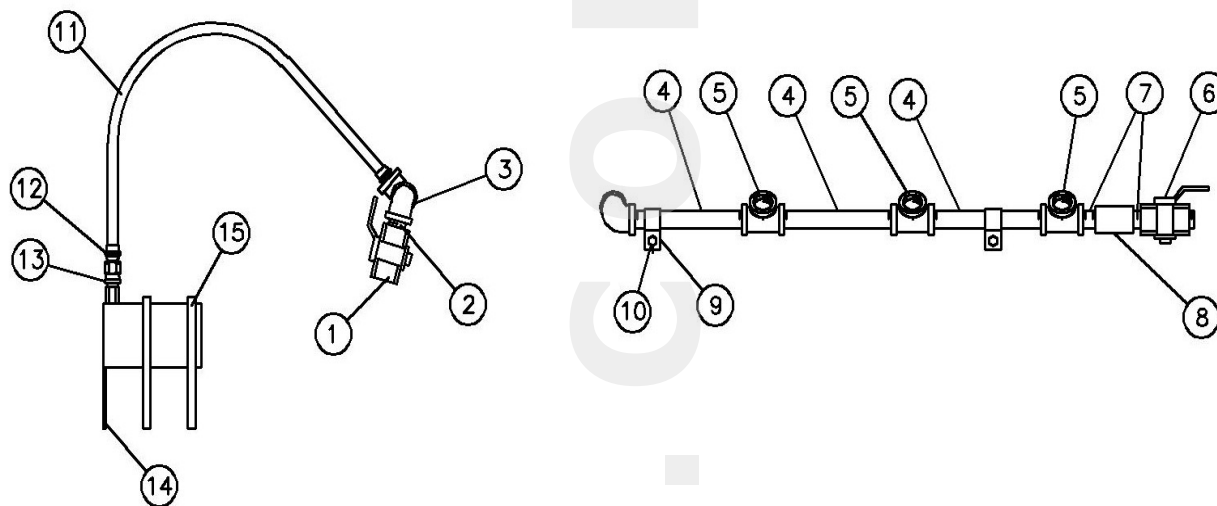


(Ref. Drawing No. 317TEE810)

CROSSHEAD LUBRICATION PIPING

Ref. No.	Description	Qty.	301TEE4012 Part No.
1	ADAPTOR	3	29Z207
2	HOSE ASSEMBLY	1	1000T10
3	HOSE ASSEMBLY	1	159952
4	HOSE ASSEMBLY	1	1000T44
5	ADAPTOR	2	179239
6	CROSS.....	2	64K3
7	PIPE NIPPLE.....	2	63E6
8	ADAPTOR	1	29Z209
9	ADAPTOR	1	29Z240
10	HOSE ASSEMBLY	6	1001T52
11	ADAPTOR	1	29Z212
12	PLUG.....	1	300TEE191

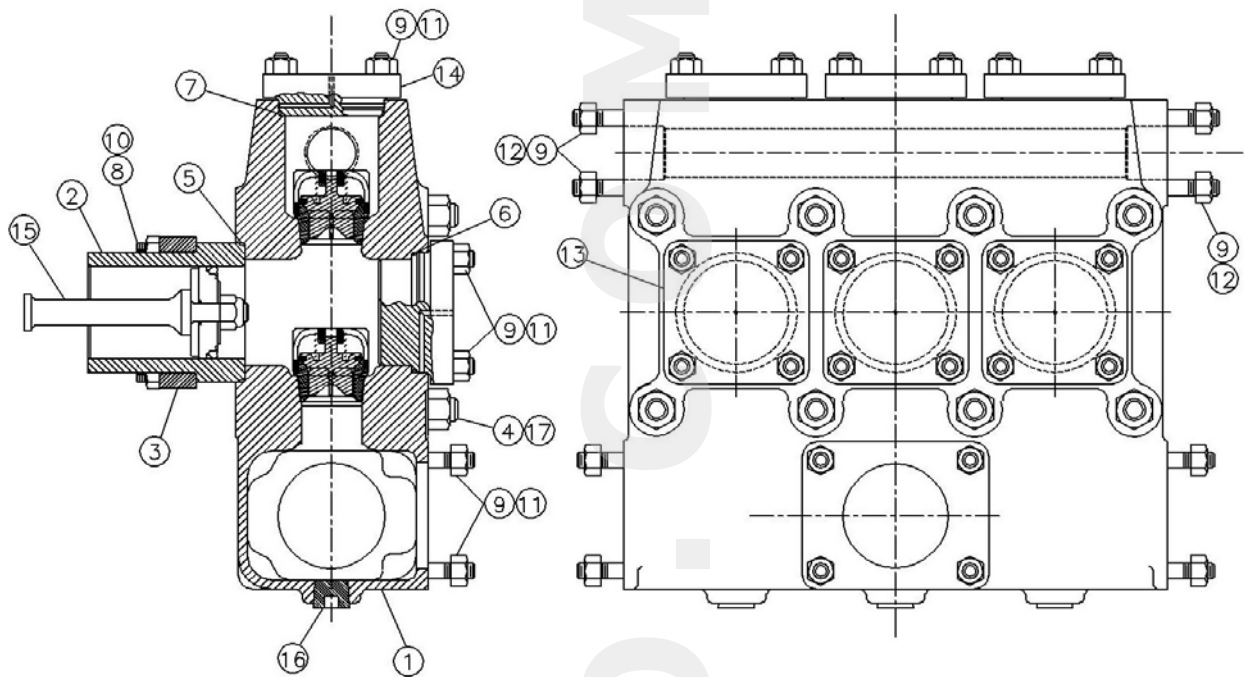
Order by Part Number and Description. Reference Numbers are shown for your convenience only.



ROD WASH SYSTEM

Ref. No.	Description	Qty.	301TEE4019 Part No.
1	BALL VALVE	1	90AR299
2	PIPE NIPPLE	1	63H25
3	ELBOW	1	64S5
4	PIPE NIPPLE	3	63G15
5	TEE.....	3	64P39
6	AIR CONT VALVE.....	1	90A25
7	PIPE NIPPLE	2	63G2
8	COUPLING.....	1	64AB3
9	CLAMP	2	98H4
10	SCREW.....	2	655EC020
11	HOSE ASSEMBLY.....	3	29R32
12	HOSE ADAPTER	3	29Q7
13	BUSHING	3	64E2
14	BAFFLE.....	3	300TEE840
15	RADIATOR HOSE CLAMP.....	6	29B18

Order by Part Number and Description. Reference Numbers are shown for your convenience only.



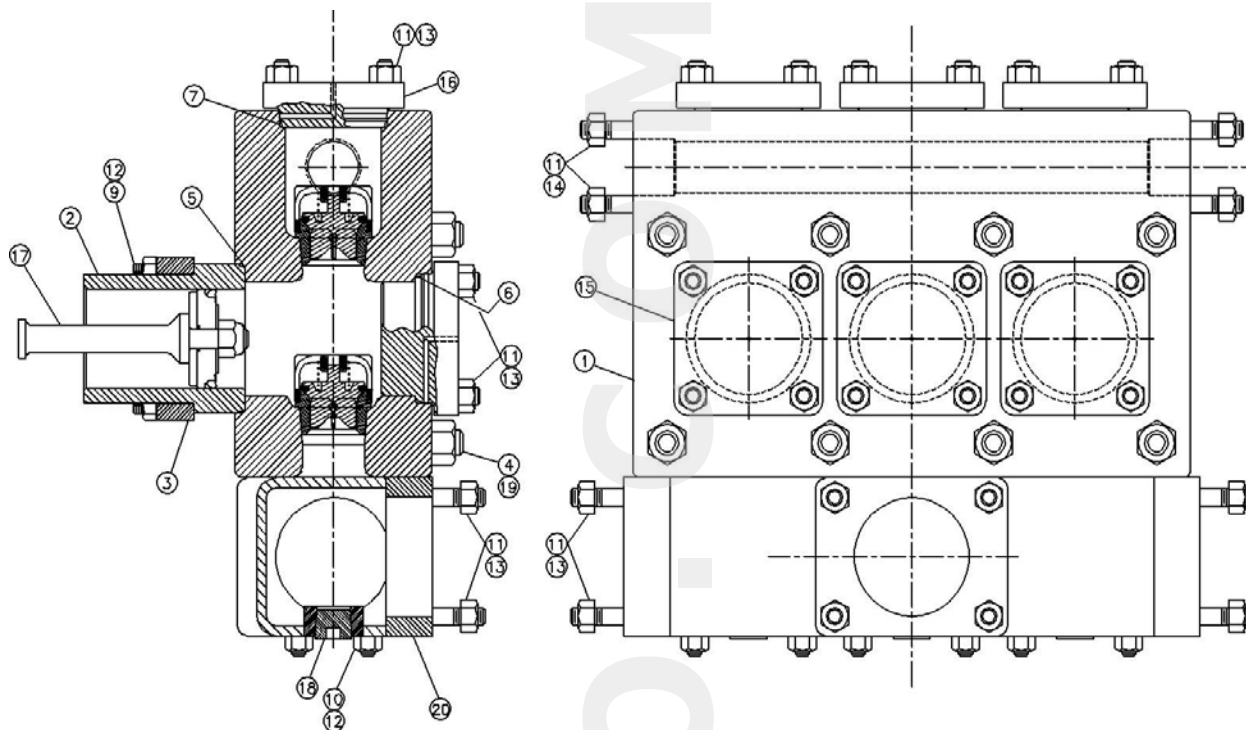
See page 13 for Flange Groups

(Ref. Drawing No. 318TEE810)

FLUID CYLINDER ASSEMBLY – CAST NODULAR IRON

Ref. No.	Name of Part	Qty.	4"	4 1/2"	5"	5 1/2"
			304TEE2039 Part No.	303TEE2039 Part No.	301TEE2039 Part No.	302TEE2039 Part No.
1	FLUID CYLINDER	1	300TEE029	300TEE029	300TEE029	300TEE029
2	FLUID LINER – CHROME.....	3	306TEE456	302TEE456	301TEE456	300TEE456
	FLUID LINER – CERAMIC					
	SLEEVE (Optional).....	3	307TEE456	305TEE456	304TEE456	303TEE456
3	LINER CLAMP.....	3	300TEE455	300TEE455	300TEE455	300TEE455
4	STUD	8	300TEE110	300TEE110	300TEE110	300TEE110
5	SEAL	3	300TEE316	300TEE316	300TEE316	300TEE316
6	SEAL	3	301TEE316	301TEE316	301TEE316	301TEE316
7	SEAL	3	302TEE316	302TEE316	302TEE316	302TEE316
8	STUD.....	12	303TEE110	303TEE110	303TEE110	303TEE110
9	NUT	44	50B33	50B33	50B33	50B33
10	NUT	12	50B32	50B32	50B32	50B32
11	STUD	36	302TEE110	301TEE110	301TEE110	301TEE110
12	STUD	8	302TEE110	302TEE110	302TEE110	302TEE110
13	FLUID VALVE COVER.....	3	300TEE147	300TEE147	300TEE147	30TEE147
14	FLUID VALVE COVER.....	3	301TEE147	301TEE147	301TEE147	301TEE147
15	ROD GROUP.....	3	303TEE4043	301TEE4043	300TEE4043	302TEE4043
16	PLUG	3	64B6G	64B6G	64B6G	64B6G
17	HEX NUT	8	50T15	50T15	50T15	50T15

Order by Part Number and Description. Reference Numbers are shown for your convenience only.



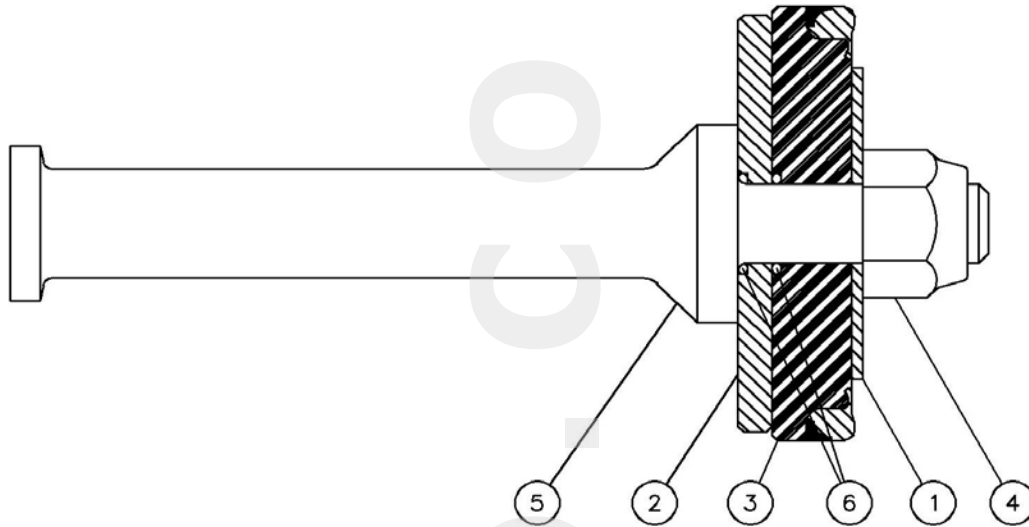
*Applies only to Serial Numbers lower than Q004740

(Ref. Drawing No. 320TEE810)

FLUID CYLINDER ASSEMBLY – BLOCK STEEL*

Ref. No.	Name of Part	Qty.	4 1/2"	5"	5 1/2"
			300TEE2039 Part No.	300TEE2039 Part No.	300TEE2039 Part No.
1	FLUID CYLINDER.....	1	301TEE029	301TEE029	301TEE029
2	FLUID LINER – CHROME	3	302TEE456	301TEE456	300TEE456
3	LINER CLAMP	3	300TEE455	300TEE455	300TEE455
4	STUD.....	8	300TEE110	300TEE110	300TEE110
5	SEAL	3	300TEE316	300TEE316	300TEE316
6	SEAL	3	301TEE316	301TEE316	301TEE316
7	SEAL	3	302TEE316	302TEE316	302TEE316
9	STUD	12	303TEE110	303TEE110	303TEE110
10	STUD.....	12	304TEE110	304TEE110	304TEE110
11	NUT	44	50B33	50B33	50B33
12	NUT	24	50B32	50B32	50B32
13	STUD	36	301TEE110	301TEE110	301TEE110
14	STUD	8	302TEE110	302TEE110	302TEE110
15	FLUID VALVE COVER.....	3	300TEE147	300TEE147	300TEE147
16	FLUID VALVE COVER.....	3	301TEE147	301TEE147	301TEE147
17	ROD GROUP	1	301TEE4043	300TEE4043	302TEE4043
18	PLUG	3	64B6G	64B6G	64B6G
19	HEX NUT.....	8	50T15	50T15	50T15
20	SUCTION MANIFOLD.....	1	302TEE069	302TEE069	302TEE069

Order by Part Number and Description. Reference Numbers are shown for your convenience only.



(Ref. Drawing No. 319TEE810)

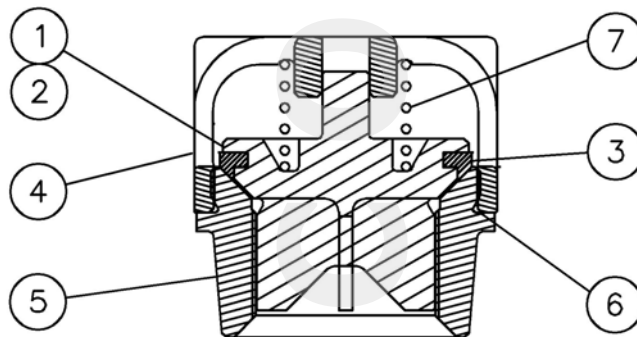
PISTON ROD ASSEMBLY

Ref. No.	Name of Part	Qty.	4 "	4 1/2"	5 "	5 1/2"
			Part No.	Part No.	Part No.	Part No.
1	PISTON WASHER	3	302TEE097	301TRH247	300TEE097	301TEE097
2	PLATE	3	302TEE247	300TRH247	300TEE247	301TEE247
3	FLUID PISTON	3	302TEE350	300TRH350	301TEE350	300TEE350
4	NUT	3	50V3	50V3	50V3	50V3
5	PISTON ROD (Includes Item 6).....	3	200PEE060	200PEE060	200PEE060	200PEE060
6	O-RING	6	25AM26	25AM26	25AM26	25AM26

The above parts can also be ordered in groups as follows:

ROD GROUP (Includes Items 1 thru 6)	3	303TEE4043	301TEE4043	300TEE4043	302TEE4043
PISTON GROUP (Includes Items 1, 2, 3 and 6).....	3	306TEE4056	300TEE4056	301TEE4056	302TEE4056
PISTON GROUP (Includes Items 3 and 6).....	3	307TEE4056	303TEE4056	304TEE4056	305TEE4056

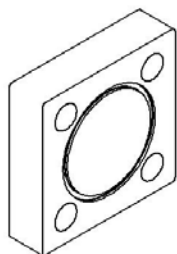
Order by Part Number and Description. Reference Numbers are shown for your convenience only.



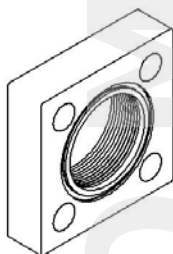
(Reference Drawing No. 309TEE810)

**SUCTION AND DISCHARGE VALVES
STAINLESS STEEL - ABRASION RESISTANT**

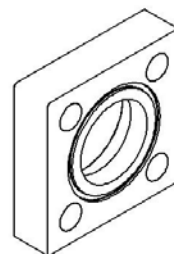
Ref. No.	Name of Part	Qty.	Part No.			
			With 20# Spring	With 25# Spring	With 30# Spring	High Flow
	FLUID VALVE ASSEMBLY (Includes Items 1 thru 6)	6	300TEE2055	302TEE2055	303TEE2055	304TEE2055
1	FLUID VALVE.....	6	300TEE482	300TEE482	300TEE482	2116895
2	INSERT.....	6	300TEE106	300TEE106	300TEE106	2116894
3	CAGE.....	6	300TEE054	300TEE054	300TEE054	2117759
4	SEAT	6	300TEE039	300TEE039	300TEE039	2118112
5	O-RING.....	6	18549	18549	18549	2116893
6	SPRING	6	78W86	78W87	78W88	2010608



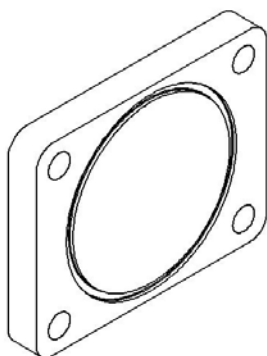
300THE073
3" BLIND
DISCHARGE FLANGE



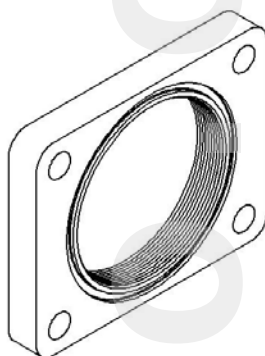
301THE073
3" NPT THREADED
DISCHARGE FLANGE



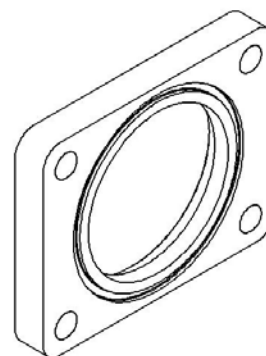
302THE073
3" SLIP-ON
DISCHARGE FLANGE



303THE073
6" BLIND
SUCTION FLANGE



304THE073
6" NPT THREADED
SUCTION FLANGE



305THE073
6" SLIP-ON
SUCTION FLANGE

FLANGE GROUPS

Ref. No.	Name of Part	Qty.	Part No.	Part No.
			Slip-on Flanges	Threaded Flanges
	FLANGE GROUP (Includes Items 1 thru 6)	1	300THE4038	301THE4038
1	O-RING	3	25BC227	25BC227
2	O-RING	2	901SH05-240	901SH05-240
3	FLANGE - 6"	1	305THE073	304THE073
4	FLANGE - 6" BLIND	2	303THE073	303THE073
5	FLANGE - 3"	1	302THE073	301THE073
6	FLANGE - 3" BLIND	1	300THE073	300THE073

Gardner

Denver

Specifications subject to change without notice.

Copyright © 2001 Gardner Denver, Inc.

<http://www.gardnerdenver.com> mktg@gardnerdenver.com

Litho in U.S.A.

For additional information contact your local representative or



Gardner Denver Compressor and Pump Division,
1800 Gardner Expressway, Quincy, Illinois 62301
Customer Service Department Telephone:
(800) 682-9868 FAX: (217) 224-7814

Sales and Service in all major cities.

For parts information, contact Gardner Denver,
Master Distribution Center, Memphis, TN
Telephone: (800) 245-4946 FAX: (901) 542-6159