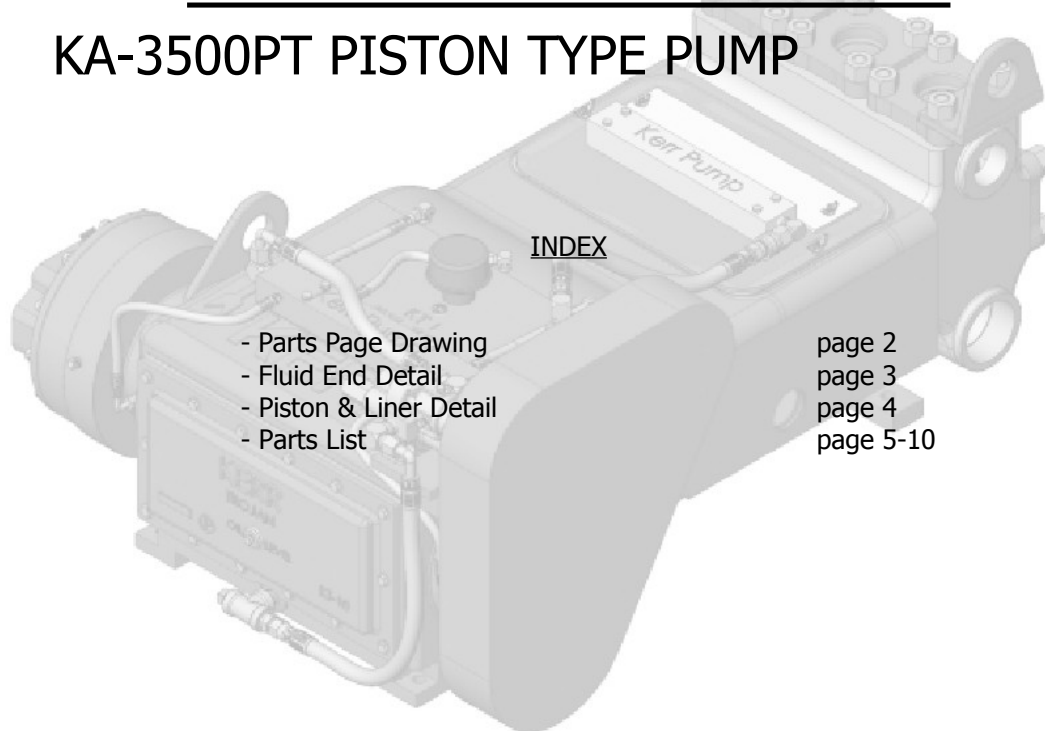


KERR P U M P S

PARTS MANUAL

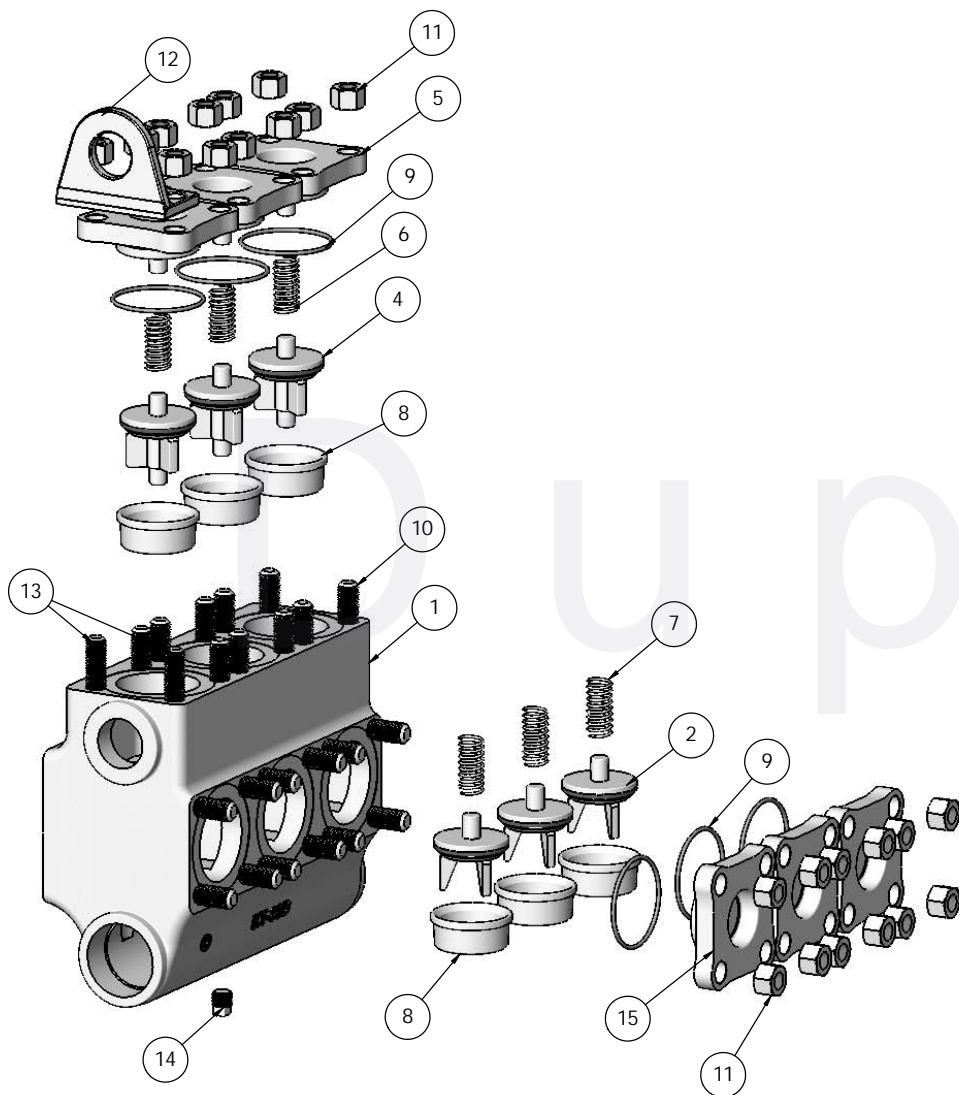
KA-3500PT PISTON TYPE PUMP



INDEX

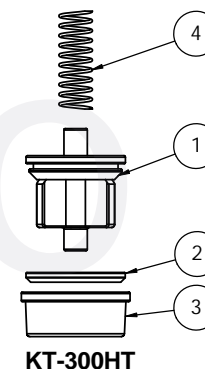
- Parts Page Drawing
- Fluid End Detail
- Piston & Liner Detail
- Parts List

page 2
page 3
page 4
page 5-10

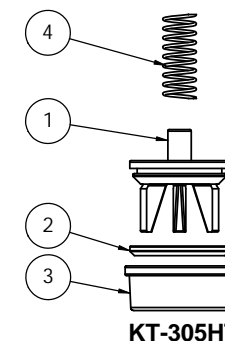


ITEM NO.	QTY.	PART NO.	DESCRIPTION
1	1	KT-33D	FLUID END (VESSEL ONLY)
2	3	KT-73	SUCTION VALVE, HEAT TREATED, A/R WITH INSERT
3	6	KA-77	ABRASIVE RESISTANT VALVE INSERT
4	3	KT-72HT	DISCHARGE VALVE, HEAT TREATED, A/R WITH INSERT
5	3	KA-34D	TOP COVER CAP (DUCTILE)
6	3	KT-52L	VALVE SPRING (DISCHARGE) (LONG)
7	3	KT-52S	SPRING, VALVE SUCTION SHORT
8	6	KA-74HT	VALVE SEAT, HEAT TREATED, A/R
9	6	KA-38	O-RING COVER CAP
10	22	KA-36	COVER CAP STUD
11	24	KA-37	COVER CAP STUD NUT
12	1	KA-126FE	FLUID END LIFTING EYE
13	2	KA-36B	COVER CAP BRACKET STUD
14	1	AP-71	FLUID END DRAIN PLUG
15	3	KA-35D	END COVER CAP (DUCTILE)

ITEM NO.	QTY.	PART NO.	DESCRIPTION
1	1	KT-72HT	DISCHARGE VALVE, HEAT TREATED, A/R WITH INSERT
2	1	KA-77	ABRASIVE RESISTANT VALVE INSERT
3	1	KA-74HT	VALVE SEAT, HEAT TREATED, A/R
4	1	KT-52L	SPRING, LONG DISCHARGE



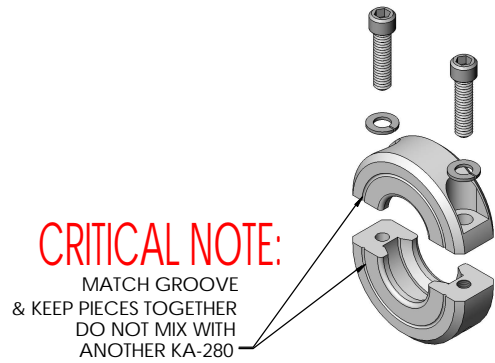
ITEM NO.	QTY.	PART NO.	DESCRIPTION
1	1	KT-73	SUCTION VALVE, HEAT TREATED, A/R WITH INSERT
2	1	KA-77	ABRASIVE RESISTANT VALVE INSERT
3	1	KA-74HT	VALVE SEAT, HEAT TREATED, A/R
4	1	KT-52S	SPRING, VALVE SUCTION SHORT



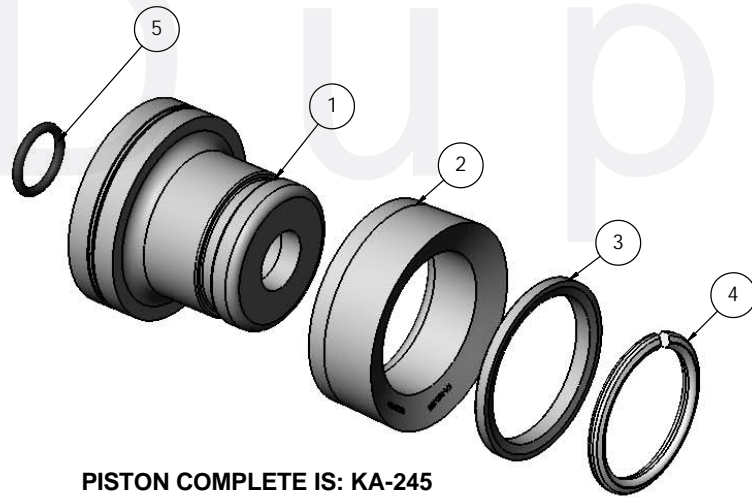
FLUID END ASSEMBLY DRAWING

KP-3300PT

FOR FOREIGN OBJECTS AND WEAR
- REPLACE IF NECESSARY

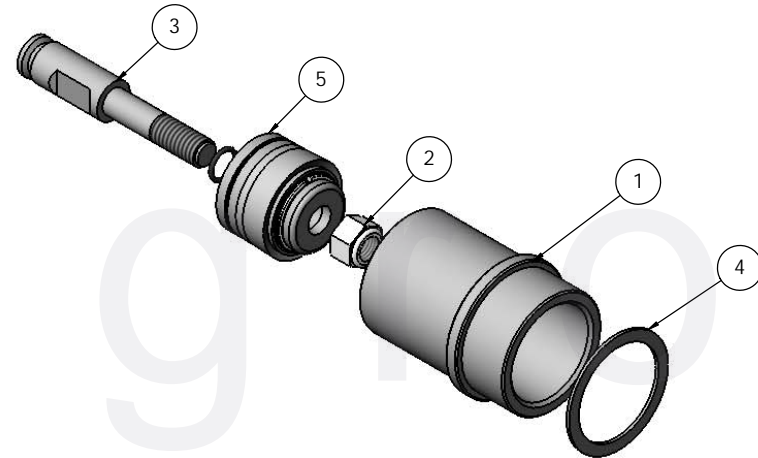

KA-280

ITEM NO.	PART NUMBER	DESCRIPTION	QTY.
1	KT-285-350CH	LINER, 3 1/2" HEAT TREATED	1
2	KA-270	PISTON EXTENSION ROD LOCK NUT	1
3	KT-265	PISTON EXTENSION ROD	1
4	KA-295	LINER GASKET	1
5	KA-245	PISTON COMPLETE	1


PISTON COMPLETE IS: KA-245

ITEM NO.	PART NUMBER	DESCRIPTION	QTY.
1	KA-250-350	PISTON, BODY ONLY, 3 1/2"	1
2	KA-263-350	PISTON CUP	1
3	KA-261-350	PISTON CUP RETAINER PLATE	1
4	KA-262	PISTON CUP SNAP RING	1
5	KA-246	PISTON O-RING	1

 ITEMS 2, 3, & 4 SOLD AS A KIT **ONLY**:
 PART NO. KA-260-300 (3"); KA-260-350 (3 1/2"); KA-260-400 (4")

 ITEMS 1, 2, 3, 4, & 5 PISTON COMPLETE SOLD AS PART NUMBER:
 KA-245-300 (3"); KA-245-350 (3 1/2"); KA-245-400 (4")

PISTON ASSEMBLY DRAWING
KT-3350PT - KT-3400PT

Kerr KT-3350PT/ KT-3400PT Piston Type Pump

Part Number	Description	# Req
KT-1	Pump Case	1
KT-1-400PT	Pump Case	1
KT-2-400	Crankshaft-Heat Treated	1
KT-2	Crankshaft-Heat Treated	1
KT-3	Crankshaft Oil Seal	1
KT-4	Bearing Housing (Blind Side)	1
KT-4-400	Bearing Housing (Blind Side)	1
KA-6B	Bearing Housing Capscrews 2	3
KA-6	Bearing Housing Capscrews	9
KT-7-400	Bearing Housing Gaskets	2
KT-7	Bearing Housing Gaskets	2
KT-8-001	Main Bearing Adjusting Shims .001	As Req.
KT-8-015-400	Main Bearing Adjusting Shims .015	As Req.
KT-8-015	Main Bearing Adjusting Shims .015	As Req.
KT-8-010-400	Main Bearing Adjusting Shims .010	As Req.
KT-8-010	Main Bearing Adjusting Shims .010	As Req.
KT-8-005-400	Main Bearing Adjusting Shims .005	As Req.
KT-8-005	Main Bearing Adjusting Shims .005	As Req.
KT-8-001-400	Main Bearing Adjusting Shims .001	As Req.
KT-9	Main Bearings	2
KT-10	Pan Cover	1
KA-11	Pan Cover Capscrews	14
KT-12	Pan Cover Gasket	1
AP-16T	Breather Cap (Oil Filler) Threaded Style	1
AP-16	Breather Cap (Oil Filler)	1
KA-17T	Crosshead Tapered	3
KA-17	Crosshead	3
KA-18	Wrist Pin	3
KA-18A	Wrist Pin Bushing	3
KA-19	Wrist Pin Set Screws & Nut	3
KT-20A	Connecting Rod (Inserted Both Ends)	3
KT-20	Connecting Rod Only (No Inserts - Requires inserts both ends)	3
KT-21-060	Connecting Rod Insert Bushing (.060)	3
KT-21-045	Connecting Rod Insert Bushing (.045)	3
KT-21-030	Connecting Rod Insert Bushing (.030)	3
KT-21-015	Connecting Rod Insert Bushing (.015)	3
KT-21-000	Connecting Rod Insert Bushing (Std)	3
KA-22	Connecting Rod Capscrew	6
KT-24	Connecting Rod Shims (Laminated)	6
KA-26S	Pony Rod Gland Snap Ring	3
KA-26M-A	Pony Rod Gland Assembly (Pony Rod Gland, Snap Ring, 2 Seals, & 1 Wiper)	3

Kerr KT-3350PT/ KT-3400PT Piston Type Pump

Part Number	Description	# Req
KA-26M	Pony Rod Gland Snap Ring Type for KA-29 Seal Kit	3
KA-26G	Pony Rod Gland Gasket	3
KA-26A	Pony Rod Gland Assembly (Pony Rod, Snap Ring, Seals)	3
KA-26	Pony Rod Seal Gland Snap Ring Type	3
KA-28	Pony Rod Seal (4 Seals per Set)	3 sets
KA-29	Pony Rod Seal Kit (2 Seals & 1 Wiper per Set)	3
KA-29SG-3	Installation Tool, Seal Guard Wiper Driver	1
KA-30	Pony Rod Gland Capscrews SS	12
KA-32PT	Pony Rod Splash Guard	3
KT-33D	Fluid End Vessel Only (Ductile)	1
KA-34D	Top Cover Cap (Ductile)	3
KA-35	End Cover Cap	3
KA-36B	Cover Cap Bracket Stud	2
KA-36	Cover Cap Stud	22
KA-37	Cover Cap Stud Nut	24
KA-38A	Cover Cap O' Ring (Aflas)	6
KA-38N	Cover Cap O-Ring, Nitrile	6
KT-52S	Valve Spring (Suction) (Short)	3
KT-52L	Valve Springs Discharge Long	3
KA-59T	Fluid End / Liner Retainer Lineup Studs	2
KA-59	Fluid End / Liner Retainer Studs	10
KA-60	Stud Nut	24
KA-60	Stud Nut	24
KA-68	Valve Puller Wing Type	1
KA-68M-1	Rod, Puller	1
KA-68M-2	Pin Set, Puller	3
KA-68M-3	Head, Puller	1
KA-68M-4	Spacer Washer, Puller	1
KA-68M-5	Nut, Puller	1
KA-68M-5	O-Ring, Puller	1
KA-68M-5	O-Ring, Puller	1
KA-68M-5	Nut, Puller	1
KA-68M-4	Spacer Washer, Puller	1
KA-68M-3	Head, Puller	1
KA-68M-2	Pin Set, Puller	3
KA-68M-1	Rod, Puller	1
KA-68M	Wing-Guided Seat Tri-Pin Type Puller Ass'y	1
KA-68	Valve Puller Wing Type	1
AP-71	Drain Plug 1/2" Hex Pipe Plug	1
AP-71	Drain Plug 1/2" Hex Pipe Plug	1
AP-72S	1/8 NPT Oil Level/Stuffing Box Hex Plug (Steel)	3

Kerr KT-3350PT/ KT-3400PT Piston Type Pump

Part Number	Description	# Req
AP-72SS	1/8 NPT Oil Level/Stuffing Box Hex Plug (Stainless Steel)	3
AP-72AB	1/8 NPT Oil Level/Stuffing Box Hex Plug (AB)	3
KT-072HT	Discharge Valve, Heat Treated, A/R with Insert	3
AP-72AB	1/8 NPT Oil Level/Stuffing Box Hex Plug (AB)	3
KT-073HT	Suction Valve, Heat Treated, A/R with Insert	3
KT-073HT	Suction Valve, Heat Treated, A/R with Insert	3
KA-74HT	Valve Seat, Heat Treated, A/R	6
KA-74HT	Valve Seat, Heat Treated, A/R	6
KA-77R	Discharge Valve Insert Red	6
KA-77B	Suction Valve Insert Blue	3
KT-113PT	KT-3350PT Rebuild Gasket Kit Complete: (1) KT-3, (2) KT-7, (1) KT-12, (3) KA-26G, (3) KA-28, (3) KA-32PT, (6) KA-38, (1) KA-127, (1) KA-135, (1) KA-161, (1) KT-191, (3) KA-246, (3) KA-295, (1) KA-331	1
KT-113PT-400	KT-3400PT Rebuild Gasket Kit Complete: (1) KT-3, (2) KT-7-400, (1) KT-12, (3) KA-26G, (3) KA-28, (3) KA-32PT, (6) KA-38, (1) KA-127, (1) KA-135, (1) KA-161, (1) KT-191, (3) KA-246, (3) KA-295, (1) KA-331	1
KT-120-6	Crankshaft, Splined Hydraulic Drive 40 Tooth Spline	1
KT-120-8	Crankshaft, Splined Hydraulic Drive 21 Tooth Spline	1
*KT-120-8-400PT	Crankshaft, Splined Hydraulic Drive 21 Tooth Spline	1
KT-120-8	Crankshaft, Splined Hydraulic Drive 21 Tooth Spline	1
KT-120-6	Crankshaft, Splined Hydraulic Drive 40 Tooth Spline	1
KT-125-6	Bearing Housing, Hydraulic Drive # 6	1
KT-125-8	Bearing Housing, Hydraulic Drive # 8	1
KT-125-8-400PT	Bearing Housing, Hydraulic Drive # 8	1
KA-125FE	Fluid End Lifting Eye	1
KA-125FE	Fluid End Lifting Eye	1
KT-125-8-400PT	Bearing Housing, Hydraulic Drive # 8	1
KT-125-8	Bearing Housing, Hydraulic Drive # 8	1
KT-125-6	Bearing Housing, Hydraulic Drive # 6	1
KT-126BH	Bearing Cap Lifting Eye	1
KT-126BH	Bearing Cap Lifting Eye	1
AP-127	# 8 Auburn Housing Gasket	1
AP-127	# 8 Auburn Housing Gasket	1
KT-130	Bearing Housing, Extension Shaft Side	1
KT-130-400PT	Bearing Housing, Extension Shaft Side	1
KT-130	Bearing Housing, Extension Shaft Side	1
AP-132	Auxiliary Shaft	1
AP-132	Auxiliary Shaft	1
AP-135	Oil Seal, Bearing Housing Extension Shaft	1
AP-135	Oil Seal, Bearing Housing Extension Shaft	1
KT-140LH	Bracket, Oil and Water Pumps (Left-Hand Drive)	1
KT-140RH	Bracket, Oil and Water Pumps (Right-Hand Drive)	1
KT-140LH	Bracket, Oil and Water Pumps (Left-Hand Drive)	1

Kerr KT-3350PT/ KT-3400PT Piston Type Pump

Part Number	Description	# Req
AP-145	Oil Pump, 1/2 Cast Iron	1
AP-150	Sheave, Oil Pump	1
KT-155	Belt, Oil Pump	1
AP-160-6	Fitting, Female Swivel (Supplied with hose)	3
AP-160-5	Fitting, Crosshead Oil Injector	3
AP-160-4	Oil Manifold Plug	1
AP-160-3	Male Pipe Rigid 1/4 x 1/8 (Supplied with hose)	5
AP-160-2	90 Degree Tube Fitting 1/2 (Supplied with hose)	1
AP-160-1	Oil Manifold 90 Degree Elbow	1
KA-160	Oil Manifold	1
AP-161	Oil Manifold Gasket	1
KT-165	Oil Line, Pump to Oil Manifold	1
KT-170	Oil Line, Pump to Oil Sump	1
KT-175	Oil Line, Manifold to Bearing Housing	2
KT-176	Oil Line, Manifold to Planetary Gear	1
KA-180	Oil Line, Manifold to Crosshead	3
AP-190-14	1/4-20 UNC Nut	4
AP-190-13	1/4 Lock Washer	4
AP-190.12	Fitting, Water Jet	3
KA-190-11	Piston Chamber Cover Setscrew	2
KA-190-10	Piston Chamber Cover Wing Nut	2
AP-190-9	Piston Chamber Cover Inspection Glass Capscrew	2
AP-190-8	Piston Chamber Cover Inspection Glass Wing Nut	2
AP-190-5	Water Manifold Quick Coupling	1
AP-190-4	Water Manifold 90 Degree Fitting	1
AP-190-3	Water Manifold/Oil Manifold Bolt	4
AP-190-2	Water Manifold Plug	1
KT-190A	Piston Chamber Spray Unit Complete	1
KT-190	Piston Chamber Cover	1
KT-191	Piston Chamber Cover Gasket	1
KA-192	Piston Chamber Cover Inspection Glass	1
AP-195	Water Pump, Bronze	1
AP-197	Water Pump Repair Kit (Nitrile)	1
AP-200-175	Sheave, Water Pump 1.75	1
AP-200-520	Sheave, Water Pump 5.2	1
AP-200-320	Sheave, Water Pump 3.2	1
AP-200-260	Sheave, Water Pump (KA use belt KA-205-038)	1
AP-205-041	Belt, Water Pump A41	1
AP-205-039	Belt, Water Pump A39	1
AP-205-037	Belt, Water Pump A37	1
AP-205-035	Belt, Water Pump A35	1

Kerr KT-3350PT/ KT-3400PT Piston Type Pump

Part Number	Description	# Req
KA-210	Water Manifold	1
KT-215	Line, Water Pump to Manifold	1
AP-216	3/8 Quick Connect	1
KT-220	Line, Water Pump to Supply Tank	1
KT-225	Line, Water Manifold to Piston Cover	3
AP-230-9	Sheave Bushing	1
AP-230	Sheave, Crankshaft Drive to Pumps	1
AP-235-50	Rotation Label	1
AP-235-32	90 Degree Tube Fitting 1/4 (Supplied with hose)	1
AP-235-31	SAE JIC Male Connector 1/4 x 1/8	2
AP-235-27	3/8-16 UNC x 3/8 Setscrew	2
AP-235-24	3/8-16 UNC Hex Head Nut	2
AP-235-23	3/8 Lock Washer	2
AP-235-22	3/8 Flat Washer	2
AP-235-21	3/8-16 UNC x 1 1/4	2
AP-235-19	1/4 Flat Washer	2
AP-235-17	1/4-20 UNC x 1 1/4 Capscrew	2
KT-235RH	Belt Guard, Pump Drive (Right-Hand Drive)	1
KT-235LH	Belt Guard, Pump Drive (Left-Hand Drive)	1
KA-245-400	Piston Complete 4	3
KA-245-300	Piston Complete 3	3
KA-245-350	Piston Complete 3 1/2	3
KA-246	Piston O' Ring	3
KA-248	Piston Snap Ring Installation Tool	1
KA-250-400	Piston, Body Only 4	3
KA-250-350	Piston, Body Only 3 1/2	3
KA-250-300	Piston, Body Only 3	3
KA-260-400	Piston Cup Kit 4 (cup, retainer plate, snap ring)	3
KA-260-350	Piston Cup Kit 3.5 (cup, retainer plate, snap ring)	3
KA-260-300	Piston Cup Kit 3 (cup, retainer plate, snap ring)	3
KT-265	Piston Extension Rod	3
KA-270	Piston Extension Rod Lock Nut	3
KT-275-400	Pony Rod Piston Pump Type	3
KT-275	Pony Rod Piston Pump Type	3
KA-276	Installation Tool for Pony Rod Seal	1
KA-277	Installation Wrench, Pony Rod	1
KA-280	Clamp, Pony Rod to Piston Rod	3
KA-281	Socket Head Capscrew	2
KT-285-400KER-A	Liner Assembly 4 (Piston complete, rod, locknut, liner, gasket, KT-285-400KER-A)	3
KT-285-400CH-A	Liner Assembly 4 (Piston complete, rod, locknut, liner, gasket)	3
KT-285-350KER-A	Liner Assembly 3 1/2 (Piston complete, rod, locknut, liner, gasket, KT-350KER-A)	3

Kerr KT-3350PT/ KT-3400PT Piston Type Pump

Part Number	Description	# Req
KT-285-350CH-A	Liner Assembly 3 1/2 (Piston complete, rod, locknut, liner, gasket)	3
KT-285-350CER-A	Liner Assembly 3 1/2 (Piston complete, rod, locknut, liner, gasket)	3
KT-285-300CH-A	Liner Assembly 3 (Piston complete, rod, locknut, liner, gasket)	3
KT-285-300CER-A	Liner Assembly 3 (Piston complete, rod, locknut, liner, gasket)	3
KT-285-400KER	Liner, 4 Kerramic	3
KT-285-400CH	Liner, 4 Chrome	3
KT-285-350KER	Liner, 3 1/2 Kerramic	3
KT-285-350CER	Liner, 3 1/2 Ceramic	3
KT-285-350CH	Liner, 3 1/2 Chrome	3
KT-285-300CER	Liner, 3 Ceramic	3
KT-285-300CH	Liner, 3 Chrome	3
KA-290	Liner Retainer	3
KA-295	Liner Gasket	3
KT-300HT	Discharge Valve Complete, A/R Heat Treated (KT-72HT, KA-74HT & 52L)	3
KT-305HT	Suction Valve Complete, A/R Heat Treated (KT-73HT, KA-74HT & KT-52S)	3
KA-306	Valve Seat Seating Tool	1
AP-320	Flow Meter	1
AP-323	# 6 Planetary Gear Assembly	1
AP-324-8-4	# 8 Planetary Gear Assembly	1
AP-324-9-5	# 9 Planetary Gear Assembly 5.50:1	1
KT-325	Planetary Adapter Kit 6 to 8	1
KA-326	Spline Adapter (21-40)	1
KA-327	Spline Adapter Spacer	1
AP-330-2	Snap Ring, SAE C 4 Bolt Drive Assembly 1-1/2 Male Input Shaft	1
AP-330-1	Oil Seal, SAE C 4 Bolt Drive Assembly 1-1/2 Male Input Shaft	1
AP-330B	Bearings, SAE C 4 Bolt Drive Assembly 1-1/2 Male Input Shaft	2
AP-330S	Input Shaft, SAE C 4 Bolt Drive Assembly 1-1/2 Male Input Shaft	1
AP-330H	Housing, SAE C 4 Bolt Drive Assembly 1-1/2 Male Input Shaft	1
AP-330	SAE C 4 Bolt Drive Assembly 1-1/2 Male Input Shaft	1
AP-331	O'Ring, #8 Auburn Input Drive Assembly	1
AP-351	Oil Level Sight Glass	1
AP-352	Oil Level Sight Plug	1
AP-450	Sunstrand Motor 90 Series	1
KA-500HT	Valve Ass'y, Complete A/R Caged (KA-501HT, KA-502HT, KA-504, KA-506, KP-85 & KA-42-3)	3
KA-501HT	Seat, Valve, Heat Treated	5
KA-502HT	Valve w/Insert, Heat Treated	5
KA-504HT	Cage, Valve	5
KA-506	Valve Seat O'Ring	6
KA-550	Cage Wrench	1
KA-701	Oil Cooler w/110 V Fan Motor	1
KA-900	Special Tool Kit consists of (KA-68M, AP-77T, KA-248, KA-276, KA-277, KA-306)	1

All prices and part numbers are subject to change without prior notice.