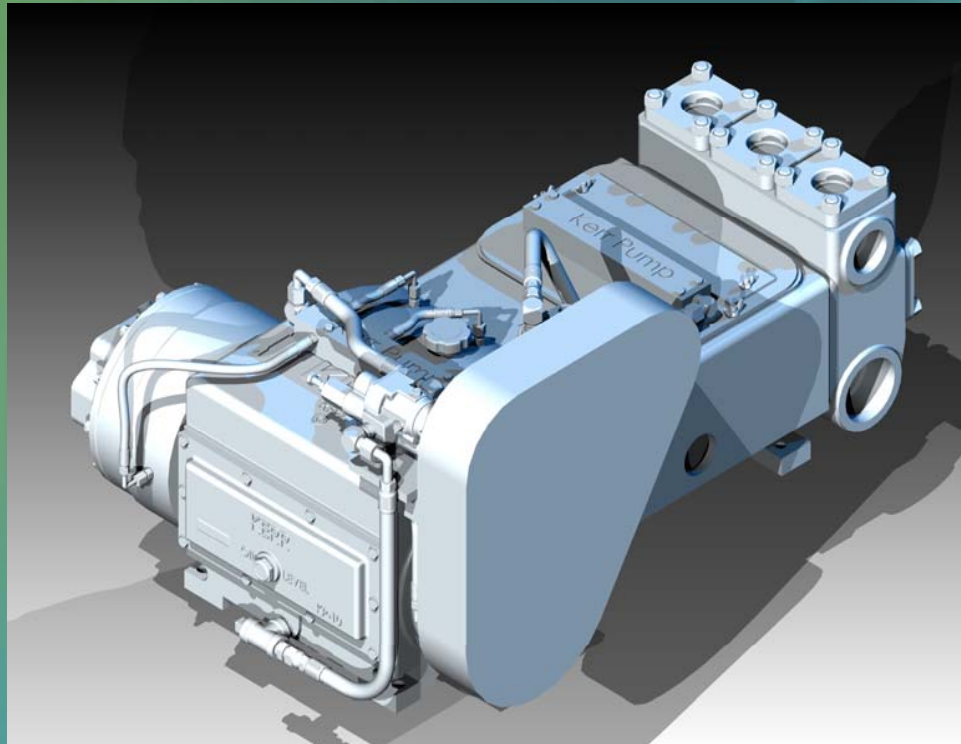


# Parts & Service Manual

## Kerr KP-3300PT Piston Pump



**DUPAGRO.COM**

**Dupagro B.V.**

Ooststeeg 102  
6708 AX Wageningen  
The Netherlands

Phone +31 (0) 317 840 197

[info@dupagro.com](mailto:info@dupagro.com)

[www.dupagro.com](http://www.dupagro.com)

# KERR PUMP CORPORATION SERVICE MANUAL

HDD 2<sup>ND</sup> EDITION



## NEW PUMP WARRANTY

- A. Kerr Machine Company (**Kerr Pump Corporation**) warrants its new HDD pumps to be free from defective materials and/or workmanship for 1000 HOURS OR ONE (1) YEAR, whichever comes first, from date of sale by distributor, provided that the new pump is registered in accordance with Paragraph No. 2 hereof, properly installed and operated in accordance with the Company's Service Manual, and all other terms of this warranty agreement are complied with by the purchaser. As hereinafter provided, this warranty includes the replacement of parts and labor to correct any deficiency. All defective parts must be returned to the Company's Home Office for examination before this warranty is effective. This warranty applies to parts, which have been replaced under this warranty only so long as the original pump warranty is effective. This warranty is for the exclusive benefit of the purchaser and is not transferable.
- B. Each Distributor of a new pump will provide the customer with a registration blank furnished to him by the Company which must state the date of sale, be signed by the purchaser and the Distributor, and delivered to the Home Office of the Company within fifteen (15) days of the date of sale.
- C. In the event of a claim under this warranty, made within the 1000 HOUR warranty period, the purchaser must notify the Distributor, and the Distributor shall contact **Kerr Pump Corporation** before any repairs or service calls are made.
- D. All warranty claims must be sent to Kerr Pump Corporation Home Office on the authorized warranty claim form provided by **Kerr Pump Corporation** and available from the Distributor before any warranty claim will be considered. It is understood that a pump will deteriorate due to ordinary wear therefore; the following credits shall apply to all replacement parts, labor, surface freight, travel-time and mileage allowance furnished under this warranty.

---

FOR 1000 HOUR CLAIMS

- i. For the first 250 hours, 100% credit will be allowed on a current list price basis.
- ii. From 251 hours to 500 hours, 75% credit will be allowed on a current list price basis.
- iii. From 501 hours to 750 hours, 50% credit will be allowed on a current list price basis.
- iv. From 751 hours to 1000 hours, 25% credit will be allowed on a current list price basis.

*The credit given to the Distributor for replacement parts or pumps under this warranty is based upon the Distributor's net cost paid Kerr Pumps for such replacement parts or pumps.*

- E. In the event of a warranty claim under this warranty is made within the first 250 hours, **Kerr Pump Corporation**, before any repairs begin, shall be contacted by the Distributor and given the option of having the Distributor either repair or replace the pump.
- F. Upon any claim under this warranty, other than a claim wherein **Kerr Pump Corporation** at its option replaced the pump as provided in Item 'E' hereof, the Distributor will make the necessary repairs and/or replacement, and **Kerr Pump Corporation** shall allow the cost of labor on warranty claims. The labor cost may include travel time not to exceed (8) hours of actual travel time. **Kerr Pump Corporation** will pay surface freight on warranty shipments. After making the necessary repairs and/or replacements, the Distributor will bill the customer for the full amount due for the repair. Thereafter, the Distributor will submit the warranty claim form provided by **Kerr Pump Corporation** to the **Kerr Pump Corporation** Home Office for consideration. In the event the warranty claim is honored by **Kerr Pump Corporation**, a Credit Memorandum will be issued to the Distributor in the amount determined by the table in Item 'D' hereof. Thereafter, the customer's invoice will be credited by the Distributor in the same percentage allowed the Distributor by **Kerr Pump Corporation**.

If requested by **Kerr Pump Corporation** the purchaser or the Distributor shall return the alleged defective product to **Kerr Pump Corporation** factory, freight prepaid, for examination and testing. If **Kerr Pump Corporation** determines the product is defective, **Kerr Pump Corporation** will either repair or replace such product with a 'like' **Kerr Pump Corporation** manufacture, f.o.b. to the Distributor or allow the Distributor credit to an amount equal to the invoiced value of the defective product. The responsibility of **Kerr Pump Corporation** is limited to the repairing or replacing defective material manufactured by it, provided **Kerr Pump Corporation** examination discloses to its satisfaction that such material has not been altered or repaired, other than by **Kerr Pump Corporation** approved procedures, subject to misuse, improper maintenance, negligence or accident. **Kerr Pump Corporation** will not be responsible for loss of

liquid or for damage of any kind, or from any cause, to any person or property of any person, or for loss of revenue of profit, or for any other special incidental or consequential damages.

- G. The warranty applies only to new pumps. The Company specifically excludes from this warranty the following.
- i. All pistons, piston rubbers, liners, valves, valve springs, seals gaskets, and corrosion and/or erosion damage caused by the fluid handled by the Company's pump.
  - ii. In addition, after the expiration of the pump warranty, all replacement parts are no longer in warranty.
- H. In extreme cases where in the opinion of **Kerr Pump Corporation**, if a pump has been misused or is being misused, **Kerr Pump Corporation** reserves the option to offer to redeem the pump from the purchaser. Should the purchaser refuse to allow the pump to be redeemed and chooses to continue improper operation, the warranty will be void.
- I. Any parts or equipment which **Kerr Pump Corporation** supplies and does not manufacture shall be subject only to the warranties of **Kerr Pump Corporation** vendors to the extent **Kerr Pump Corporation** can enforce such warranties.
- J. Any repairs to, alterations of, or work done on alleged defective products without **Kerr Pump Corporation** specific written authorization shall void **Kerr Pump Corporation** warranty applicable thereto.
- K. Any action for breach of warranty or other action under this agreement must be commenced within (1) year after such cause of action arises.

***This limited warranty is in lieu of all other warranties, expressed or implied, including any implied warranty or merchantability or fitness.***

## TOUBLESHOOTING

Problem	Reason/Solution
Unusual pounding, knocking broken valve spring	<ul style="list-style-type: none"><li>• Insufficient fluid at high speed.</li><li>• Suction line is improper size or is constricted. (Trash in line, valve partly opened, etc.)</li><li>• Possibility of gas in the fluid causing the roughness.</li></ul>
Loss of pressure or volume	<ul style="list-style-type: none"><li>• Foreign matter may be holding valves open.</li><li>• Worn valves.</li><li>• Broken springs.</li></ul>
Consistent, rhythmic knock	<ul style="list-style-type: none"><li>• Improper bearing adjustment.</li><li>• Worn bearings or connecting rods.</li><li>• NOTE: Valve noise is common and normal in high-speed pumps. It should not cause concern unless it becomes erratic.</li></ul>
Packing failure (Excessive)	<ul style="list-style-type: none"><li>• Improper installation.</li><li>• Improper type of lubrication.</li><li>• Incorrect type of packing for particular installation.</li><li>• (Contact <b>Kerr Pump Corporation</b> if you are unsure.)</li></ul>
Abnormal wear of fluid end parts	<ul style="list-style-type: none"><li>• Abrasive or corrosive fluid.</li></ul>
Abnormal wear of power end parts	<ul style="list-style-type: none"><li>• Lack of oil, overload on pump, foreign matter in oil.</li></ul>
Heat in power end	<ul style="list-style-type: none"><li>• A new pump will run hot for a short period (2 or 3 days). See above for persistent heating. Pump will operate near 140° F. under average conditions.</li><li>• Check for air in pump by bleeding at cover caps.</li><li>• Too much spring tension Reciprocating pumps have very limited pick up.</li></ul>

## INSTALLATION INSTRUCTIONS



### WARNING

**Read everything in this section before attempting to run or connect your pump.**

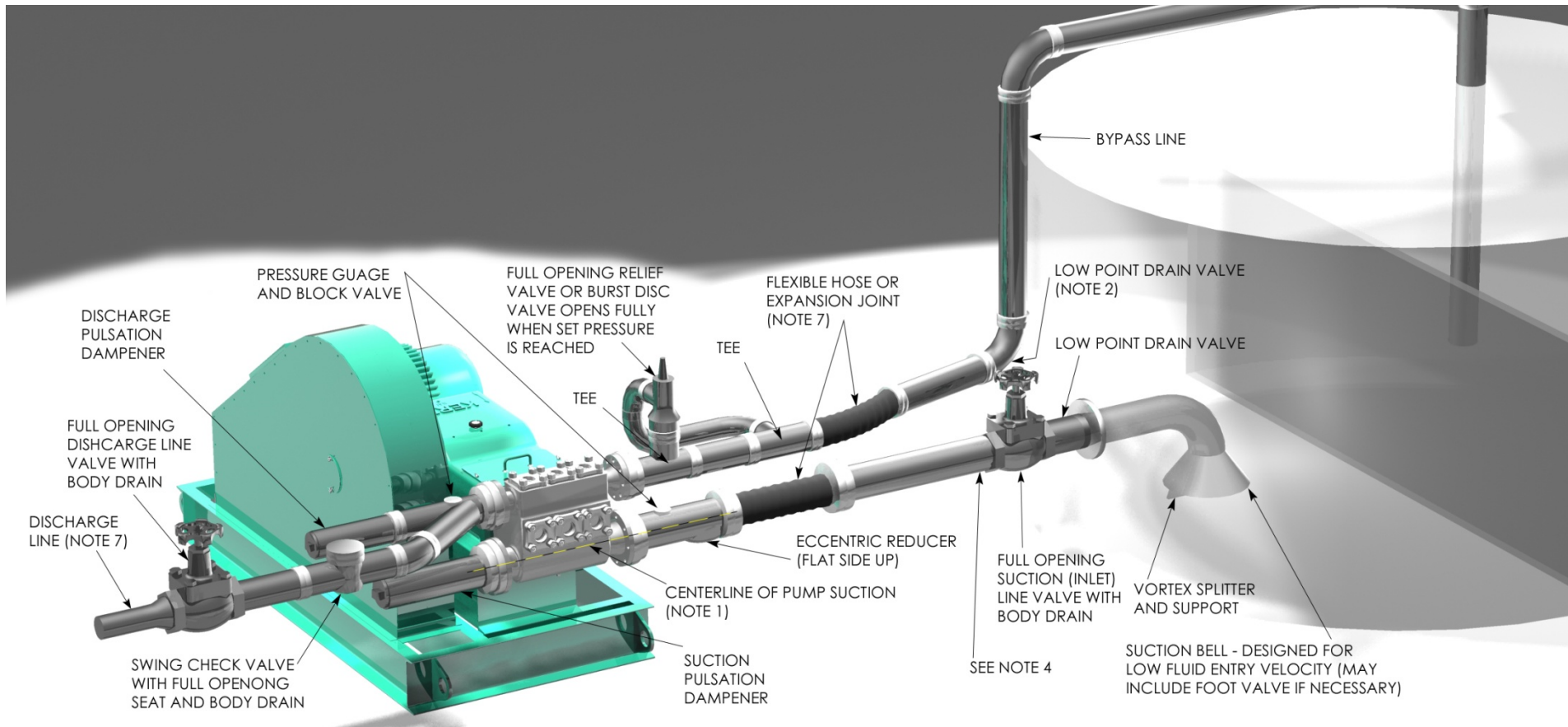
The importance of proper installation cannot be overstressed. As the reciprocating pump is almost unable to lift fluid, proper suction flooding is a must. This is the First step toward satisfactory operation.

#### For best results, follow these installation guidelines.

- (A) PRESSURE RELIEF VALVE (REQUIRED)
- (B) BY-PASSED FLUID SHOULD BE PIPED BACK IN SUCTION SUPPLY TANK WHEN POSSIBLE
- (C) USE FLEXIBLE HOSE IN DISCHARGE LINE WHEN POSSIBLE
- (D) DISCHARGE SHUT-OFF VALVE (OPTIONAL-USED FOR TOTAL SHUT-DOWN OR SERVICE ONLY)
- (E) DISCHARGE AND SUCTION ON EITHER SIDE OF FLUID END ON ALL MODELS.
- (F) PULSATION “DAMPENERS” MAY BE USED IN EITHER THE SUCTION OR DISCHARGE PIPING OR BOTH. DISCHARGE DAMPENERS SHOULD BE CAPABLE OF HANDLING PUMP DISCHARGE MAXIMUM PRESSURE

The Kerr Pumps Engineering Service will be happy to advise you in your installation problems. As almost every installation varies, you cannot exercise too much care in making certain your installation is proper.

To start the pump, open the suction line valve and permit the intake chamber to fill on the pump. Air may be bled off by opening the valve covers slightly until there is a constant fluid flow. After bleeding, open the discharge line valve and start the pump. Roughness may occur from cavitations (air in line) or from starvation (lack of fluid). Eliminate these troubles before permitting continuous operation.



- 1) CENTERLINE OF PUMP SUCTION (INLET) TO BE SLIGHTLY HIGHER THAN CENTERLINE OF SUCTION (INLET) VALVE SO ANY AIR IN SUCTION SYSTEM PROMPTLY REACHES PUMP AND IS EXPELLED – A SLOPE OF ¼" PER FOOT IS BEST
- 2) SLOPE BYPASS LINE SO LOW POINT DRAIN WILL FULLY EMPTY RELIEF AND CHOKE VALVES AND ALL LIQUID IN BYPASS CIRCUIT
- 3) DO NOT LOCATE PIPING OR OTHER EQUIPMENT IN FRONT OF OR ABOVE PUMP FLUID END PREVENTING SERVICING – REFER TO MANUFACTURER FOR MINIMUM CLEARANCES
- 4) LOCATE CHARGING PUMP AT POINT SHOWN. – IF CHARGING PUMP IS NECESSARY (FOR VOLATILE FLUIDS, FOR EXAMPLE)
- 5) IF DESIRED, A TWO-WAY MOTOR OPERATED BYPASS VALVE MAY BE USED RATHER THAN MANUAL TYPE – IT SHOULD BE DESIGNED TO OPEN AUTOMATICALLY WHILE STARTING OR STOPPING
- 6) BYPASS LINE SHOULD FEED LIQUID INTO TANK BELOW MINIMUM LIQUID LEVEL
- 7) TO REMOVE PIPING STRAIN AND VIBRATION A FLEXIBLE HOSE, EXPANSION JOINT OR SWIVEL JOINT PAIR SHOULD BE POSITIONED TO MINIMIZE EFFECTS OF PIPING THERMAL EXPANSION, CONTRACTION AND PIPING WEIGHT
- 8) SUCTION SIZED FOR 1 ½ TO 2 FT/SEC MAX FLOW RATE. DISCHARGE SIZED FOR 8 TO 10 FT/SEC MAX FLOW RATE – SUCTION AND DISCHARGE MUST BE SUPPORTED AND ANCHORED
- 9) TO PROTECT SUCTION SYSTEM AGAINST HAZARD OF DISCHARGE PRESSURE ENTRY (AS WHEN PUMP IS IDLE), A SMALL RELIEF VALVE IS OFTEN CONNECTED HERE
- 10) ALL SYSTEM COMPONENTS MUST HAVE ADEQUATE PRESSURE RATINGS FOR OPERATING, STARTING AND UPSET CONDITIONS. IN ORDER TO REDUCE POTENTIAL HAZARDS, PARTICULAR ATTENTION IS RECOMMENDED FOR THE SURGE CONDITION THAT WILL RESULT DOWNSTREAM OF THE RELIEF VALVE WHEN NORMAL DISCHARGE IS BLOCKED



-AS A GENERAL RULE, FLUID LEVEL MUST BE HIGHER THAN THE PUMP FLUID END AS PLUNGERS CANNOT LIFT FLUID. 10 FEET OF HEAD IS A GOOD RULE OF THUMB.  
 -CAUTION SHOULD BE TAKEN TO KEEP FITTINGS OUT OF THE SUCTION AND DISCHARGE PIPING AS THESE WILL RESULT IN POOR PERFORMANCE.  
 -IF BENDS ARE NECESSARY USE 45° LONG RADIUS ELLS INSTEAD OF 90° ELLS.

## PREVENTIVE MAINTENANCE

### DAILY

#### A. Check and Maintain Lubricant Levels.

Standard Lubricant:		Synthetic Lubricant:	
AGMA Grade (ASTM D 2422)	4 EP	SAE Viscosity Grade (J306-8)	75W-90
ISO Viscosity Grade	150		
Viscosity in SSU @ 100 degree F	625-765		

#### PUMP CAPACITIES (APPROXIMATE)

KD-1250	2 qts.	KT-3350	16 qts.
KJ-2250	3 qts.	KT-3400	16 qts.
KZ-3150	2 qts.	<b>Use SAE 30 weight non-detergent motor oil ONLY</b>	
KM-3250	4 qts.	KB-3500	20 qts.
KM-3300	4 qts.	KA-3500	36 qts.
KP-3300	12 qts.	KSB-6400	36 qts.
R335/R340	16 qts.	KSB-6500	36 qts.
Q5450	22.5 gal.	KCP-6300	24 qts.

#### PLANETARY GEAR REDUCERS

#6	17 ozs.
#8	42 ozs.
#9	42 ozs.



- B. If pump has lubricating facilities for stuffing boxes, check level of lubricant.
- C. Maintain packing gland tension on packing (Do not over-tighten)
- D. Visually inspect pump for apparent trouble.
- E. Keep the pump clean.

#### MONTHLY

- A. Drain and refill crankcase. It is recommended that oil be changed after the first week of operation.
- B. Wash oil filler cap in kerosene.
- C. Check valves for excessive wear, broken or bent springs, etc.
- D. Check crankshaft bearings for endplay. (See section on crankshaft)
- E. Keep all nuts, studs, etc. tight.
- F. Check valve covers for leaks.
- G. Check all seals and gaskets for leaks

#### GENERAL

Replace any work part before its eventual failure. Use the following instructions for removal and replacement of parts. Don't hesitate to call on Kerr Pump Corporation for help if necessary at 1-800-441-8149.

#### SERVICE PROCEDURES (ALL MODELS)

##### A. VALVES (Wing-guided type):

- i. **DISCHARGE VALVE:** The discharge valve and seat can be exposed by first removing the discharge valve cover cap. Once the discharge cover cap has been removed you may lift out the discharge valve spring and the discharge valve. The valve seat will be held in place by a taper fit and must be "pulled" with an appropriate valve-pulling tool (available from the **KERR PUMPS** Dealers). Once the valve and seat have been removed they should be resurfaced or replaced if badly worn. To replace the discharge valve,

first clean and inspect the seat bore for washout defects and then drop the seat into the bore. Replace the valve into the seat and strike the top of the valve a couple of good blows utilizing a brass bar and hammer to seat the valve seat in the fluid end valve bore. Replace the valve spring and cover cap after inspecting the spring and the seal of the cover cap.

- ii. SUCTION VALVE: The suction valves are located in the chamber directly behind the suction or end valve cover caps. The suction valves are serviced in the identical manner as the discharge valves. Note: Discharge valves must be removed prior to any removal of the suction valves.

### ***Service Procedure for KZ-3150PT Valves***

- iii. DISCHARGE VALVE: The discharge valve and seat can be exposed by first removing the discharge valve cover plate. Once the discharge cover cap has been removed you may lift out the discharge valve spring, discharge valve and valve seat. Once the valve and seat have been removed they should be replaced if badly worn. To replace discharge valve, first clean and inspect the seat bore for wash out defects and then drop the seat into the bore. Replace valve in seat then valve spring and cover cap, always-inspecting O-ring seals between seats and cover caps.
- iv. SUCTION VALVE: The suction valves are located in the chamber directly below the discharge valve seat. The suction valves are serviced in the identical manner as the discharge valves.

B. PONY ROD and PONY ROD PACKING: Pumps use two pony rod sealing arrangements, models KM-3250PT and KM-3300PT use a screw in seal gland, all other models use a bolt in seal gland, these glands use press in oil seals with snap ring retainers. Some bolt in gland use adjustable packing arrangements with bolt in or screw in followers to adjust packing. By unscrewing plunger from pony rod a gap may be facilitated to allow the removal of the various sealing arrangements. A special wrench will be needed to remove and replace pony rod to crosshead. (This wrench is available from **Kerr Dealers**) All pony rods have a jam nut to align tighten pony rod to crosshead, care must be exercised in installing new seal on pony rod not to damage it.

### C. DISASSEMBLY OF POWER END.



**CAUTION:** Prior to disassembly of any power end, the plunger, pony rod, and pony rod seal housing must be removed.

Expose the crankshaft and connecting rods by removing the pan cover. Connecting rod caps may now be removed and the connecting rod and crosshead should be shoved all the way to the rear (toward the fluid end) to facilitate crankshaft removal out either side as convenient. The connecting rods and crossheads may now be taken out the front cavity exposed by removing the crankshaft.

Connecting rods may be removed from the crosshead by loosening the setscrew and driving out the wrist pin from the crosshead. A bronze bushing is used in the rod it may be driven out of the rod and replaced with a new bushing. Reassembly is the reverse of the above outlined sequence with the following considerations for “fits” or tolerance:

- i. General: All Kerr components are machined on modern production machine tools and are of the same specifications and close tolerances you would expect in a modern automobile engine. It must be pointed out that at top speed (350 to 400 RPM) your pump will not even be approaching idle speed for a gasoline engine so “field fits” are possible and practical when making repairs and replacements away from the factory. All procedures outlined below are possible with only hand tools and absolutely no instruments, special tools, or gauges are needed.
- ii. Connecting rod and wrist pin: Proper fit will find the wrist pin turning freely in its bore in the connecting rod, but it should have no “wobble” that is discernable up and down the main axis of the connecting rod. This looseness in the wrist pin fit is the most probable cause of “knocking” which is traceable to the power end of most all pumps. The only solution for loose fitting wrist pins is to discard the connecting rod wrist pin bushing and replace with a new one. If any wear is visible on the wrist pin it should always be replaced.
- iii. Crankshaft End Play and Lateral adjustments: Adjustment of the Taper Roller bearings used in all Kerr Pumps is accomplished by removing or adding shims under the bearing housing. Shims are taken out or added until the crankshaft (without connecting rods) will turn freely, but with no endplay felt when attempting to pull or push the jackshaft end of the crankshaft along its long axis. Some lateral adjustment is possible by removing shims from one side of the crankshaft and adding them to the opposite side. (Note: Lateral adjustment is the “centering” of the crankshaft in the power frame housing.)
- iv. Connecting Rod to Crankshaft fitting: Factory bored connecting rods will normally fit the standard crankshaft journal just by bolting the cap on the rod with the standard rod shims being used. If the caps do require adjustment this is accomplished by removing or adding various thicknesses of rod shims. The standard connecting rod shim used on all Kerr Pumps is 1/32” thick and is comprised of .002” laminates, which can be “pealed “ off separately. Proper fit of the connecting rod will allow the pump crankshaft to be rotated while not allowing in-and-out slack in the connecting rod along its long or main axis. A well-fitted rod will have none of the in-and-out slack, but should be free enough to be moved from side to side on the rod journal. This insures the rod not being too tight. A point of caution when installing the connecting rod assembly in the pump is to make certain the oil holes in the rod are “UP” and not toward the bottom of the pump. This will result in lubrication failure in these parts and the pump will fail in a short period of time. An additionally important step is to make sure that the rod cap is bolted back on the rod

as it came off. The rod and cap carry a “mark” or “number” which allows you to match them back properly. Failure to do this will cause the rod not to fit the journal for which it was made.

- D. Power End/Fluid End Connection: A common misconception is that there is some form of fluid seal between the power end and the fluid end. This is false. The fluid end is merely bolted to the power frame. To take off the Fluid End all the Liners must be removed by unthreading all retainer Nuts from each retainer Stud, sliding off each liner Retainer, followed by any unscrewing all other power frame to fluid end cap screws, removing the Piston Rod Clamp, then safely sliding the Fluid End away from the Power Frame.

D U P A G R O . C O M



## TECHNICAL DATA SHEET

T.D.S. NO. 4.2

PCN: \_\_\_\_\_

Supersedes PCN: \_\_\_\_\_

Date 03-10-06

### SHORT TERM STORAGE PREPARATION PROCEDURE

#### 1.0 SCOPE

This procedure applies to Kerr Pumps ONLY. Storage procedures for any other unit components or accessories (gear reducers, engines, etc.) are to be prepared to the specific manufacture's recommendations.

**1.1** Short-term storage is defined as storage and/or transient time less than six (6) months in an environment defined in Paragraph 2. If storage exceeding six months is expected, the Long Term Pump Storage Preparation Procedure should be followed.

**1.2** Kerr Pumps will only prepared for short term storage if so specified in the purchaser or customer order control document.

#### 2.0 STORAGE ENVIRONMENT

A minimal environmental condition, to be met by the customer or purchaser, is a closed shelter to eliminate effects of sun, wind, sand or other debris. Large temperature and humidity changes should be avoided to prevent coating deterioration or contamination by moisture.

#### 3.0 PRESERVATIVE PRODUCT

**3.1** The specified rust preservative will protect the internal power end parts from corrosion due to atmospheric moisture, and may be left in the pump when filled with appropriate lubricant and placed into service. The elevated temperature of service will cause rapid depletion of the preventative protection.

**3.2** The following rust preventative products or their equivalents are recommended for use in Kerr Pumps and usually available in 5 gallon, 55 gallon containers:

CITGO: RUST-O-LINE OIL 10

SHELL: ENSIS OIL N

#### 4.0 PROCEDURE

**4.1** Preparation from; factory testing, inventory, or a distributor rebuild facility.

- Drain any oil that may be in the power end, and then fill the complete power end cavity with the specified rust preventative. After 15 to 20 minutes, drain the rust preventative back into its storage drum for future use.
- Remove and clean oil level gages, pressure gages and breather caps. Replace with pipe plugs in threaded openings. All breathers shall be replaced with airtight seals, plugs or gasketed plates. No venting is recommended as it may allow moist air in.

## TECHNICAL DATA SHEET

T.D.S. NO.

4.2

PCN: \_\_\_\_\_

Supersedes PCN: \_\_\_\_\_

Date 03-10-06

- 4.1.1 Remove the wiper box seals and cap/plug the seal opening.
  - 4.1.2 Clean the pump outer surfaces prior to painting.
  - 4.1.3 If painting is required mask crank and lubricator shaft surfaces and keyways. If painting does not apply, go to Para. 4.1.8.
  - 4.1.4 Paint as specified by the customer order or as required.
  - 4.1.5 Apply a thin layer of grease to the exposed oil seal lips.
  - 4.1.6 Apply a thin layer of heavy rust preventative to the exposed crank and lubricator shaft surfaces and keyways.
  - 4.1.7 Wrap the exposed crank and lubricator shafts with waxed tape.
  - 4.1.8 Carefully wrap the following parts prior to placing them into polyurethane bags. Oil level gages, lube pressure gages, and breather caps.
  - 4.1.9 Finish box, crate and mark the parts from Para. 4.1.2 after final inspection (see Para. 4.2.2).
- 4.2 Shipping/Receiving (New Pumps Only)
- 4.2.1 All pumps and accessories (as applicable) will be final inspected by Kerr Pump personnel prior to shipping. Any witnessed or third party inspection will be signed-off by the purchaser or customer representative prior to final crating and shipment.
  - 4.2.2 Export crating will be performed by either an approved Kerr Pump source or as specified by the purchaser or customer. Any third party inspection will be coordinated with the source.
  - 4.2.3 Upon receipt of the shipment, the purchaser or customer is responsible for inspection and repair of damaged coatings at the expense of the shipper.

## 5.0 WARRANTY/START-UP

- 5.1 Pumps prepared per the above procedure qualify for the "Standard Terms & Conditions" in force on the date of shipment.
- 5.2 If the pump storage period is less than 6 months, follow the Short Term Pump Preparation Procedure.
- 5.3 Prior to start-up:
  - 5.3.1 Remove all storage caps, plugs, and covers.
  - 5.3.2 Replace any damaged or cracked O-rings or gaskets.
  - 5.3.3 Inspect power end shaft oil seals and replace if cracked, split or damaged.
  - 5.3.4 Install crankcase drain plug, lubrication level site glass and breather cap.
  - 5.3.5 Install, if applicable, any oil pressure and/or temperature gage.
  - 5.3.6 Check the connection of the plunger and pony rod to the crosshead prior to, and after, initial run-in of the pump.
  - 5.3.7 Fill the crankcase to the proper level with the specified lubricant.

## TECHNICAL DATA SHEET

T.D.S. NO. 4.3

PCN: \_\_\_\_\_

Supersedes PCN: \_\_\_\_\_

Date 03-10-06

### TITLE: LONG TERM STORAGE PREPARATION PROCEDURE

#### 1.0 SCOPE

This procedure applies to Kerr Pumps ONLY. Storage procedures for any other unit components or accessories (gear reducers, engines, etc.) are to be prepared to the specific manufacture's recommendations.

**1.1** Long-term storage is defined as storage and/or transient time exceeding six (6) months in an environment defined in Paragraph 2. If storage for less than six months is expected, the Short Term Pump Storage Preparation Procedure should be followed.

**1.2** Kerr Pumps will only prepare for short term storage if so specified in the purchaser or customer order control document.

#### 2.0 STORAGE ENVIRONMENT

A minimal environmental condition, to be met by the customer or purchaser, is a closed shelter to eliminate effects of sun, wind, sand or other debris. Large temperature and humidity changes should be avoided to prevent preventative deterioration or contamination by moisture.

#### 3.0 RUST PREVENTATIVE PRODUCT

**3.1** The recommended rust preservative should protect the internal power end parts from corrosion due to atmospheric moisture, and may be left in the pump when filled with appropriate lubricant and placed into service. The elevated temperature of service will cause rapid depletion of the preventative protection.

**3.2** The following rust preventative products or their equivalents are recommended for use in Kerr Pumps and usually available in 5 gallon, 55 gallon containers:

CITGO: RUST-O-LINE OIL 10

SHELL: ENSIS OIL N

#### 4.0 PROCEDURE

**4.1** Preparation from; factory testing, inventory, or a distributor rebuild facility.

**4.1.1** Drain any oil that may be in the power end and then fill the complete power end cavity with the specified rust preventative. After 15 to 20 minutes, drain the rust preventative back into its storage drum for future use.

**4.1.2** Remove all plungers, pony rods (if applicable), baffle discs, packing and junk rings.

**4.1.3** Remove and clean oil level gages, pressure gages and breather caps. Replace with pipe plugs in threaded openings.

## TECHNICAL DATA SHEET

T.D.S. NO. 4.3

PCN: \_\_\_\_\_

Supersedes PCN: \_\_\_\_\_

Date 03-10-06

- 4.1.4 All breathers shall be replaced with airtight seals, plugs or gasketed plates. No venting is recommended as it may allow moist air in.
- 4.1.5 Remove the wiper box seals and cap/plug the seal opening.
- 4.1.6 Clean the pump outer surfaces prior to painting.
- 4.1.7 If painting is required mask crank and lubricator shaft surfaces and keyways. If painting does not apply, go to Para. 4.1.9.
- 4.1.8 Paint as specified by the customer order or as required.
- 4.1.9 Apply a thin layer of grease to the exposed oil seal lips.
- 4.1.10 Apply a thin layer of heavy rust preventative to the exposed crank and lubricator shaft surfaces and keyways.
- 4.1.11 Wrap the exposed crank and lubricator shafts with waxed tape.
- 4.1.12 Carefully wrap the following parts prior to placing them into polyurethane bags. Oil level gages, lube pressure gages, and breather caps.
- 4.1.13 Finish box, crate and mark the parts from Para. 4.1.10 after final inspection (see Para. 4.2.2).

### 4.2 Shipping/Receiving (New Pumps Only)

- 4.2.1 All pumps and accessories (as applicable) will be final inspected by Kerr Pump personnel prior to shipping. Any witnessed or third party inspection will be signed-off by the purchaser or customer representative prior to final crating and shipment.
- 4.2.2 Export crating will be performed by either an approved Kerr Pump source or as specified by the purchaser or customer. Any third party inspection will be coordinated with the source.
- 4.2.3 Upon receipt of the shipment, the purchaser or customer is responsible for inspection and repair of damaged coatings at the expense of the shipper.

## 5.0 WARRANTY / START-UP

- 5.1 Pumps prepared per the above procedure qualify for the "Standard Terms & Conditions" in force on the date of shipment.
- 5.2 If the pump storage period will exceed 6 months, follow the Long-Term Pump Preparation Procedure.
- 5.3 Prior to start-up:
  - 5.3.1 Remove all storage caps, plugs, and covers.
  - 5.3.2 Install packing, junk rings, plungers, pony rods (if applicable), baffle discs, and wiper box seals. Replace any damaged or cracked O-rings or gaskets.
  - 5.3.3 Inspect power end shaft oil seals and replace if cracked, split or damaged.
  - 5.3.4 Install crankcase drain plug, lubrication level site glass and breather cap.
  - 5.3.5 Install, if applicable, any oil pressure and/or temperature gage.
  - 5.3.6 Check the connection of the plunger and pony rod to the crosshead prior to, and after, initial run-in of the pump.
  - 5.3.7 Fill the crankcase to the proper level with the specified lubricant.

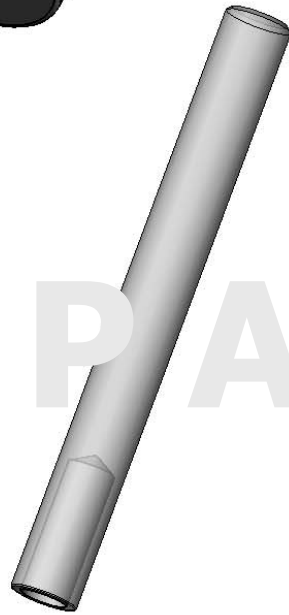


Kerr Pump Maintenance Schedule for Piston Type Pumps	Daily	Weekly	Monthly	Quarterly	Semi-Annual	Yearly
	or 8 Hrs	or 40 Hrs	or 200 Hrs	or 500 Hrs	or 1000 Hrs	or 2000 Hrs
Check Oil Level in Pump	Visual Inspection	Visual Inspection	Service			
Check Oil Level in Planetary Gear	Visual Inspection	Visual Inspection	Service			
Check for Water or Bentonite in Gear Box	Visual Inspection	Visual Inspection	Visual Inspection	Visual Inspection	Visual Inspection	Visual Inspection
Check Piston Chamber for Leaking Pistons	Visual Inspection	Visual Inspection	Visual Inspection	Visual Inspection	Visual Inspection	Visual Inspection
Check Recovery Tank for Bentonite	Visual Inspection	Visual Inspection	Service			
Check Piston Cooling Pump for Proper Operation	Visual Inspection	Visual Inspection	Visual Inspection	Visual Inspection	Visual Inspection	Visual Inspection
Flush Fluid End	Service	Service	Service	Service	Service	Service
Check Pony Rod Seals	Visual Inspection	Visual Inspection	Visual Inspection	Visual Inspection	Service	
Check and Replace if Necessary Piston Cups		Visual Inspection	Visual Inspection	Visual Inspection	Service	
Check and Replace if Necessary Valve Inserts		Visual Inspection	Visual Inspection	Visual Inspection	Service	
Check and Replace if Necessary Valves and Seats		Visual Inspection	Visual Inspection	Visual Inspection	Service	
Check and Replace if Necessary Liners		Visual Inspection	Visual Inspection	Visual Inspection	Service	
Check Rod Bearings			Visual Inspection	Visual Inspection	Visual Inspection	Service
Check Pony Rods	Visual Inspection	Visual Inspection	Visual Inspection	Visual Inspection	Visual Inspection	Visual Inspection
Check Belts	Visual Inspection	Visual Inspection	Visual Inspection	Visual Inspection	Visual Inspection	Service





KP-76M  
WING-  
GUIDED  
SEAT  
TRI-PIN  
TYPE  
PULLER  
ASS'Y



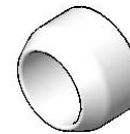
KA-306  
VALVE  
SEAT  
SEATING  
TOOL



KP-276  
PONY  
ROD SEAL  
TOOL



AP-77T  
VALVE  
INSERT  
TOOL



KP-21S  
ALIGNMENT  
SEAL  
SLEEVE



KP-277  
PONY  
ROD  
WRENCH

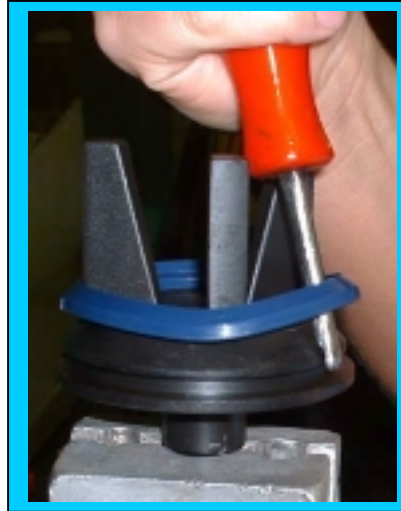
**SPECIAL TOOLS  
FOR KP-3300PT**

DUPAGRO.COM

## How To Put Inserts In Valves Using Kerr Valve Insert Tool



1) Push Valve Insert over valve legs. Hint: (Insert will be more pliable if heated first-- warm to the touch not hot).



2) Put Tool between valve and valve insert with groove against valve.



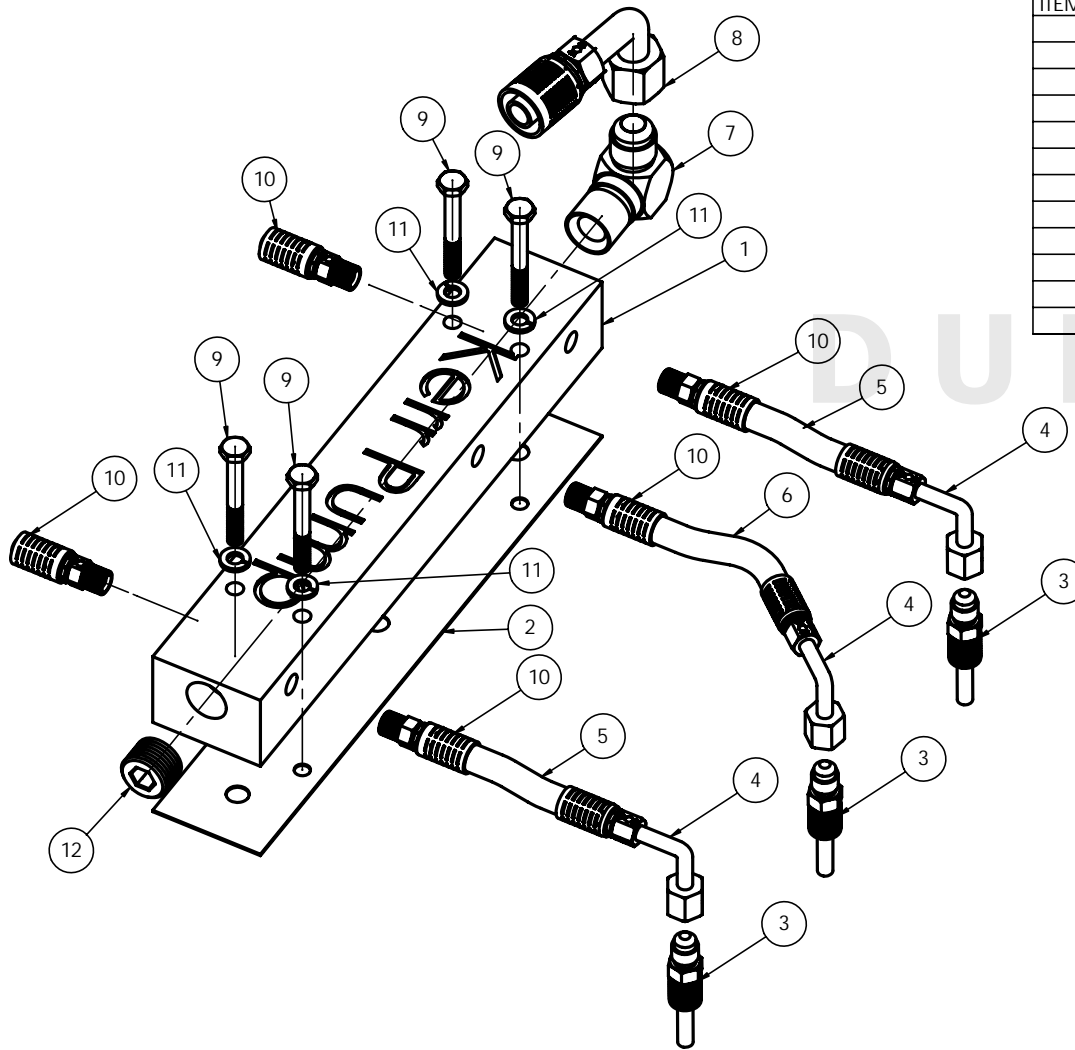
3) Holding Valve insert down with thumb.



4) While holding valve down with thumb, rotate around valve with tool. (Similar to mounting a tire on a rim).

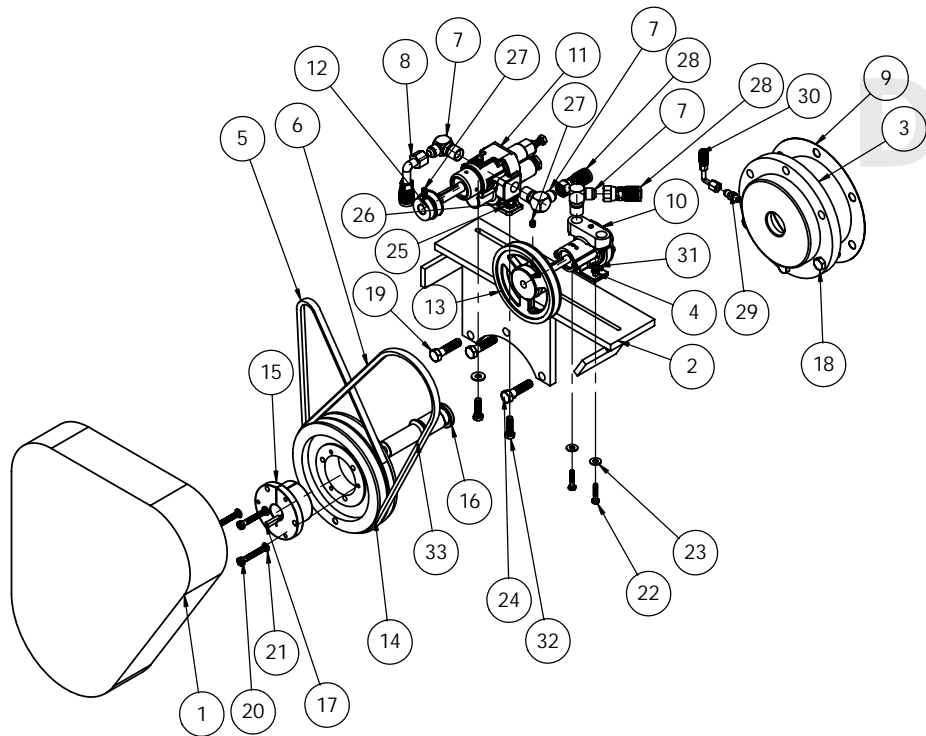


5) Continue rotating around valve with tool until insert is completely in groove.



ITEM NO.	QTY.	PART NO.	DESCRIPTION
1	1	KP-160	OIL MANIFOLD
2	1	KP-161	OIL MANIFOLD GASKET
3	3	KP-160-5	FITTING CROSSHEAD OIL INJECTOR
4	3	KP-160-6	SAE 37 JIC FML SWIVEL 90 DEG TUBE ELBOW 1/4 X 1/4
5	2	KP-160-7	3 1/4" (450 DEG) SS TEFLON HOSE
6	1	KP-160-8	4 1/4" (450 DEG) SS TEFLON HOSE
7	1	AP-160-1	JIC MALE ELBOW 1/2
8	1	AP-160-2	SAE 37 JIC FML SWIVEL 90 TUBE ELBOW 1/4 X 1/2
9	4	AP-190-3	WATER MANIFOLD / OIL MANIFOLD BOLT
10	5	AP-160-3	MALE PIPE RIGID 1/4 X 1/8
11	4	AP-190-13	1/4 LOCK WASHER
12	1	AP-160-4	1/2-NPT PIPE PLUG SOCKET TYPE INTERNAL HEX

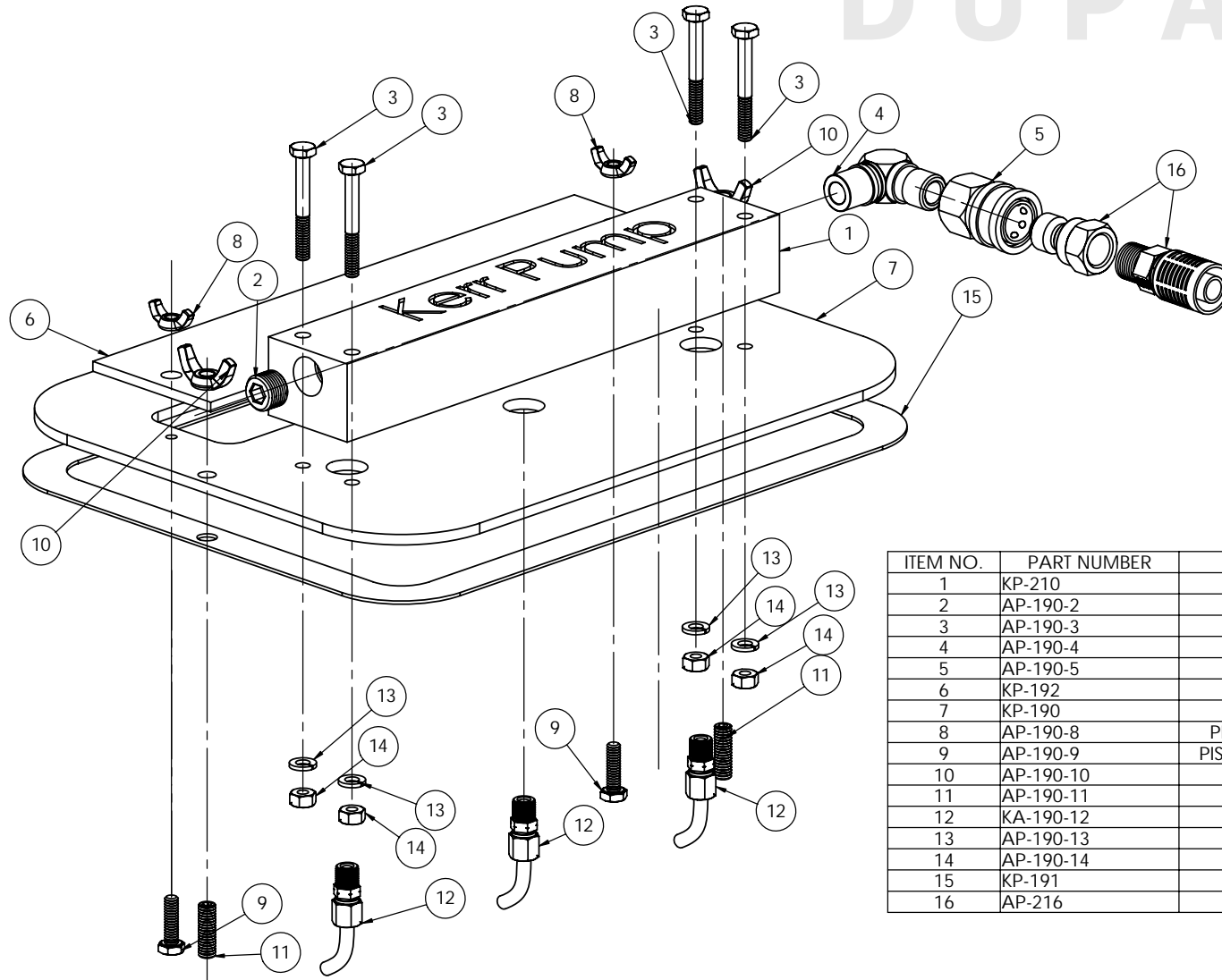
**KP-160-A  
OIL MANIFOLD ASSEMBLY**



ITEM NO.	PART NUMBER	DESCRIPTION	EXPLODED/QTY.
1	KP-235	BELT GUARD, PUMP DRIVE	1
2	KP-140	OIL AND WATER PUMP BRACKET	1
3	KP-130	BEARING HOUSING, EXTENSION SHAFT SIDE	1
4	AP-190-13	1/4 LOCK WASHER	2
5	KP-155	BELT, OIL PUMP	1
6	KP-205	BELT, WATER PUMP	1
7	AP-160-1	JIC MALE ELBOW 1/2	3
8	AP-160-2	SAE 37 JIC FML SWIVEL 90 TUBE ELBOW 1/4 X 1/2	1
9	KP-7	BEARING HOUSING GASKET	1
10	AP-195	WATER PUMP, BRONZE	1
11	AP-145	OIL PUMP, 1/2" CAST IRON	1
12	AP-150	SHEAVE, OIL PUMP	1
13	AP-200-320	SHEAVE, WATER PUMP	1
14	AP-230	SHEAVE, CRANKSHAFT DRIVE TO PUMPS	1
15	AP-230-9	SHEAVE BUSHING 1-1/8"	1
16	AP-135	OIL SEAL, BEARING HOUSING EXTENSION SHAFT	1
17	AP-130-9-1	KEY- SUPPLIED WITH KA-KP-KT-230-9	1
18	KA-6	BEARING HOUSING CAPSCREW (1 1/2)	3
19	KA-6B	BEARING HOUSING CAPSCREWS (2")	3
20	KA-230-15	BOLT SUPPLIED WITH AP-230-9	3
21	KA-230-16	WASHER SUPPLIED WITH AP-230-9	3
22	AP-235-17	1/4-20UNC X 1 1/4 CAPSCREW	2
23	AP-235-19	1/4 WASHER	2
24	AP-235-22	3/8 WASHER	2
25	AP-235-23	3/8 LOCK WASHER	2
26	AP-235-24	3/8-16-UNC HEX HEAD NUT	2
27	AP-235-27	3/8-16UNC X 3/8 SETSCREW	2
28	AP-235-30	SAE 37 JIC FML SWIVEL 3/8 X 1/2	2
29	AP-235-31	SAE JIC MALE CONNECTOR 1/4 X 1/8	1
30	AP-235-32	SAE 37 JIC FML SWIVEL 90 DEG TUBE ELBOW 1/4 X 1/4	1
31	AP-190-14	1/4-20UNC NUT	2
32	AP-235-21	3/8-16UNC X 1 1/4	2
33	AP-132	AUXILIARY SHAFT-SUPPLIED WITH KP-120	1

**PUMP DRIVE ASSEMBLY  
KP-235-A**

REV B: 05-09-00 ADDED ITEMS 15 & 16;  
 REV C: 05-25-06 UPDATED PART NUMBERS;

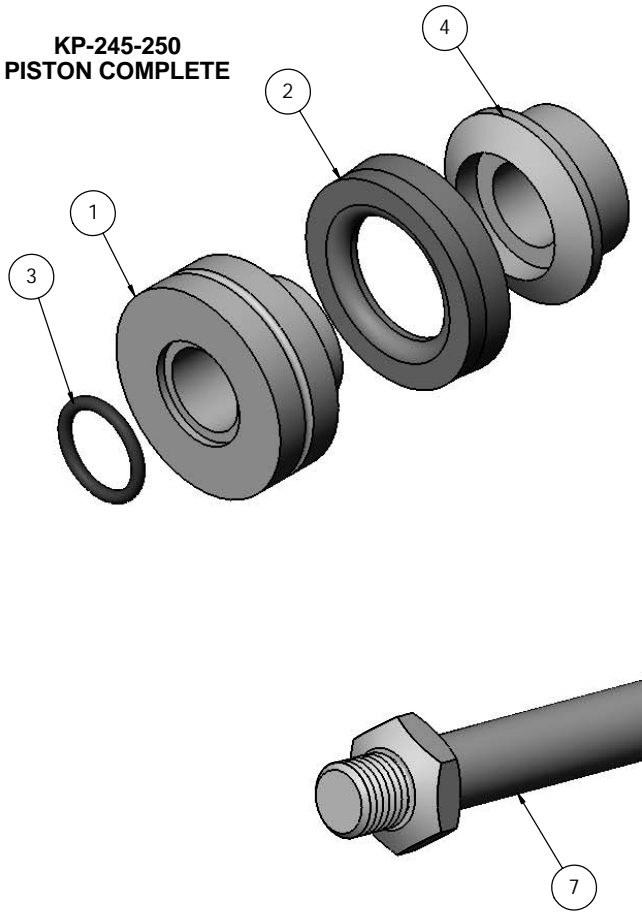


ITEM NO.	PART NUMBER	DESCRIPTION	QTY.
1	KP-210	WATER MANIFOLD	1
2	AP-190-2	WATER MANIFOLD PLUG	1
3	AP-190-3	WATER MANIFOLD / OIL MANIFOLD BOLT	4
4	AP-190-4	WATER MANIFOLD 90 DEGREE FITTING	1
5	AP-190-5	3/8 QUICK COUPLING	1
6	KP-192	PISTON CHAMBER COVER SIGHT GLASS	1
7	KP-190	PISTON CHAMBER COVER	1
8	AP-190-8	PISTON CHAMBER COVER INSPECTION GLASS WING NUT	2
9	AP-190-9	PISTON CHAMBER COVER INSPECTION GLASS CAPSCREW	2
10	AP-190-10	PISTON CHAMBER COVER WING NUT	2
11	AP-190-11	PISTON CHAMBER COVER CAPSCREW	2
12	KA-190-12	FITTING WATER JET	3
13	AP-190-13	1/4 LOCK WASHER	4
14	AP-190-14	1/4-20UNC NUT	4
15	KP-191	PISTON CHAMBER COVER GASKET	1
16	AP-216	3/8" QUICK CONNECT	1

**WATER MANIFOLD ASSEMBLY  
 (EXPLODED VIEW)  
 KP-190-A**

ITEM NO.	QTY.	PART NO.	DESCRIPTION
1	1	KP-250-250	PISTON, BODY ONLY 2 1/2"
2	1	KT-263-250	PISTON CUP 2 1/2"
3	1	KA-246	PISTON O-RING
4	1	KP-251-250	PISTON CUP RETAINER 2 1/2"

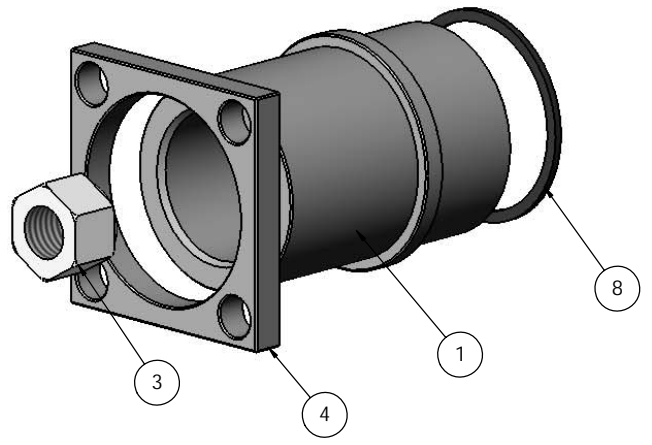
**KP-245-250  
PISTON COMPLETE**



ITEM NO.	QTY.	PART NO.	DESCRIPTION
1	1	KP-285-250CH	LINER, 2.5" HEAT TREATED
2	1	KP-265	PISTON EXTENSION ROD
3	1	KA-270	PISTON EXTENSION ROD LOCK NUT
4	1	KP-290-300	LINER RETAINER
5	1	KP-245-250	PISTON COMPLETE 2 1/2"
6	1	KP-280	CLAMP, PONY ROD TO PISTON ROD
7	1	KP-275	PONY ROD, PISTON PUMP TYPE
8	1	KP-295	LINER GASKET

REV B: 05-25-06  
UPDATED PART NUMBERS:

DUPAGRO.COM

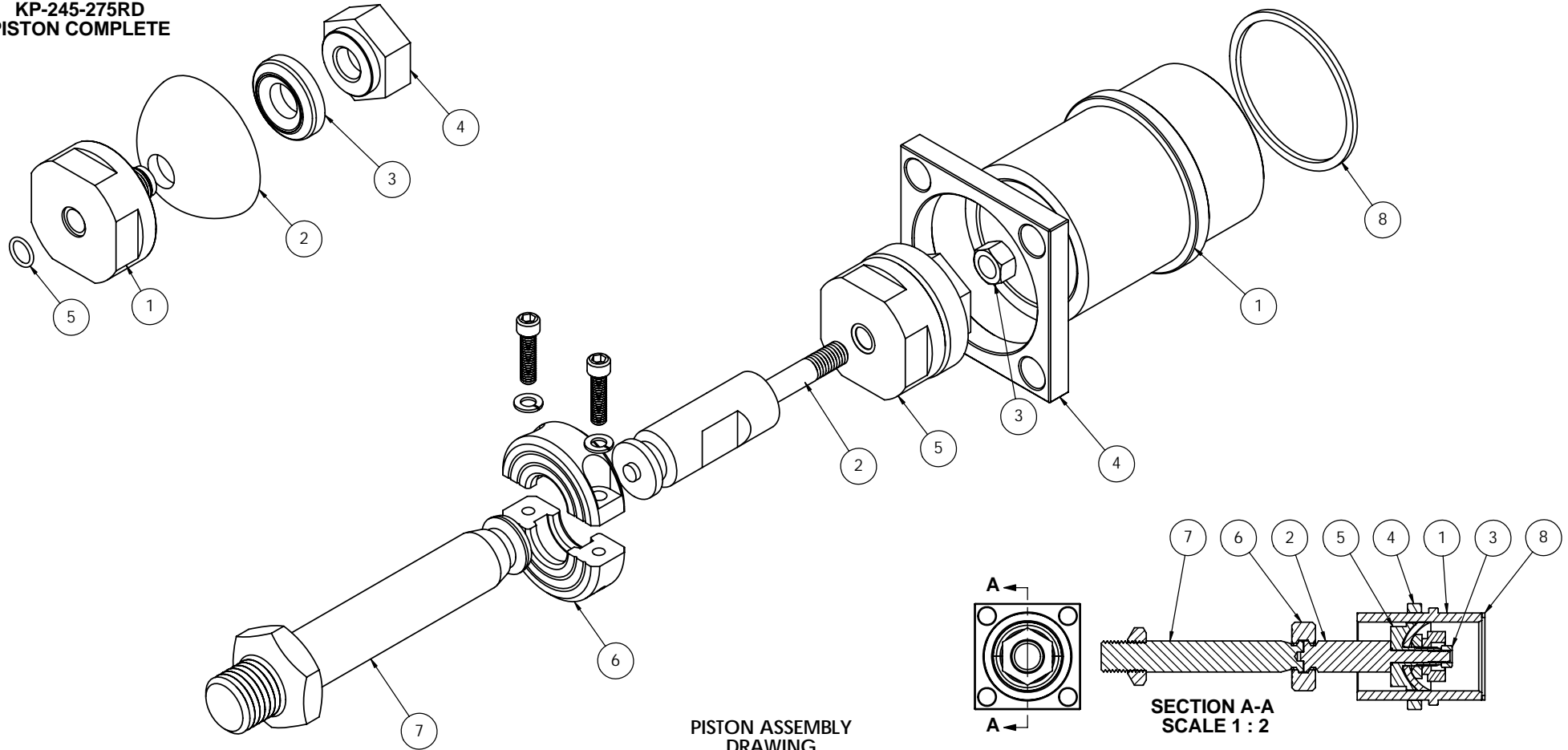


KERR MACHINE CO BOX 735 SULPHUR OK 73086 PHONE (580) 622-4207 FAX (580) 622-4206		DESIGNED BY: B MILNER 04-23-99 DRAWN BY: K LACKEY 04-14-00 REFERENCE: _____ PUMP: KP-3300-PT	<b>Kerr Pumps</b> SULPHUR OK
WARNING: CONFIDENTIAL AND PROPRIETARY INFORMATION OF "Kerr Pumps". DO NOT DISCLOSE, COPY OR REPRODUCE ANY OR PART OF THIS PRINT WITHOUT PRIOR WRITTEN APPROVAL FROM KERR MACHINE CORPORATION.		UNLESS OTHERWISE SPECIFIED <b>TOLERANCES</b> MACHINE XX = ± .030 XXX = ± .010 XXXX = ± .005 .XXXX = ± .0010 ANGLES ± 1/2°	<b>PISTON ASSEMBLY DRAWING</b> TITLE
1. MATL: 2. DIMS. ARE IN INCHES 3. DIM MAY VARY ACCORDING TO CASTING 4. REMOVE ALL BURRS AND SHARP CORNERS 5. DO NOT SCALE DRAWING 6. MACHINE FINISH 63/		THIRD ANGLE PROJECTION 	SIZE D DWG. NO. <b>KP-245-250-A</b> REV <b>B</b> SCALE: FULL WEIGHT: _____ SHEET 1 OF 1

ITEM NO.	QTY.	PART NO.	DESCRIPTION
1	1	KP-250-275RD	PISTON BODY ONLY 2 3/4" (RUN DRY TYPE)
2	1	KP-263-275RD	PISTON CUP 2 3/4" (RUN DRY TYPE)
3	1	KP-261-275RD	PISTON CUP RETAINER PLATE (RUN DRY TYPE)
4	1	KP-264RD	PISTON CUP NUT (RUN DRY TYPE)
5	1	KP-246RD	PISTON O'RING (RUN DRY TYPE)

ITEM NO.	QTY.	PART NO.	DESCRIPTION
1	1	KP-285-275CH	LINER 2 3/4" CHROME
2	1	KP-265RD	PISTON EXTENSION ROD (RUN DRY TYPE)
3	1	KP-270RD	PISTON EXTENSION ROD NUT (RUN DRY TYPE)
4	1	KP-290-300	LINER RETAINER
5	1	KP-245-275RD	PISTON COMPLETE 2 3/4" (RUN DRY TYPE)
6	1	KP-280	CLAMP, PONY ROD TO PISTON ROD
7	1	KP-275	PONY ROD, PISTON PUMP TYPE
8	1	KP-295	LINER GASKET

**KP-245-275RD  
PISTON COMPLETE**



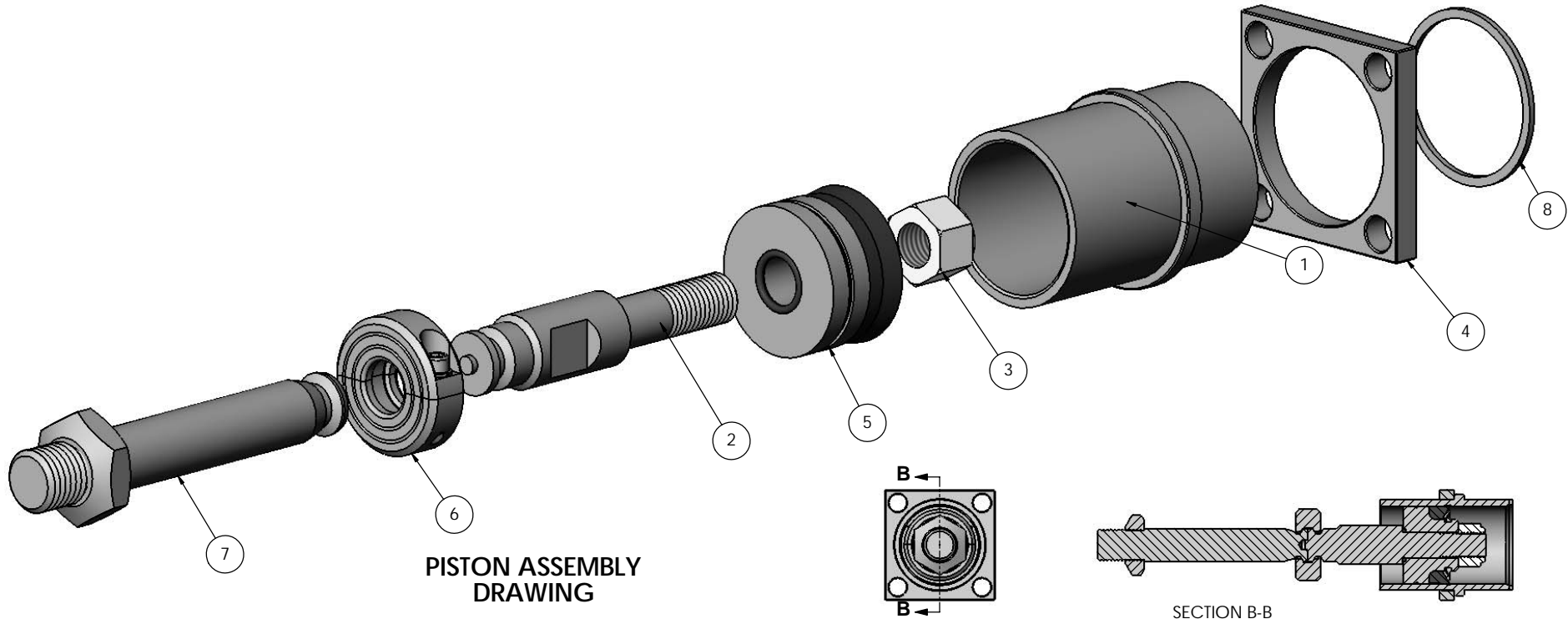
PISTON ASSEMBLY  
DRAWING  
KP-245-275RD-A



ITEM NO.	QTY.	PART NO.	DESCRIPTION
1	1	KP-250-300	PISTON, BODY ONLY, 3"
2	1	KP-263-300	PISTON CUP 3"
3	1	KP-261-300	PISTON CUP RETAINER PLATE
4	1	KP-262-350	PISTON CUP SNAP RING
5	1	KA-246	PISTON O-RING

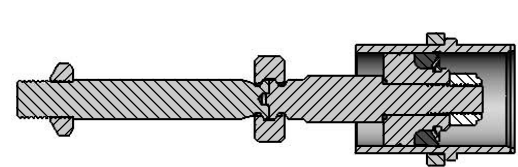
**KP-245-300**  
**PISTON COMPLETE**  
 \*ITEMS 2,3,4 SOLD AS A SET ONLY  
 PART #KP-260-300

ITEM NO.	QTY.	PART NO.	DESCRIPTION
1	1	KP-285-300	LINER 3"
2	1	KP-265	PISTON EXTENSION ROD
3	1	KA-270	PISTON EXTENSION ROD LOCK NUT
4	1	KP-290-300	LINER RETAINER
5	1	KP-245-300	PISTON COMPLETE 3"
6	1	KP-280	CLAMP, PONY ROD TO PISTON ROD
7	1	KP-275	PONY ROD, PISTON PUMP TYPE
8	1	KP-295	LINER GASKET

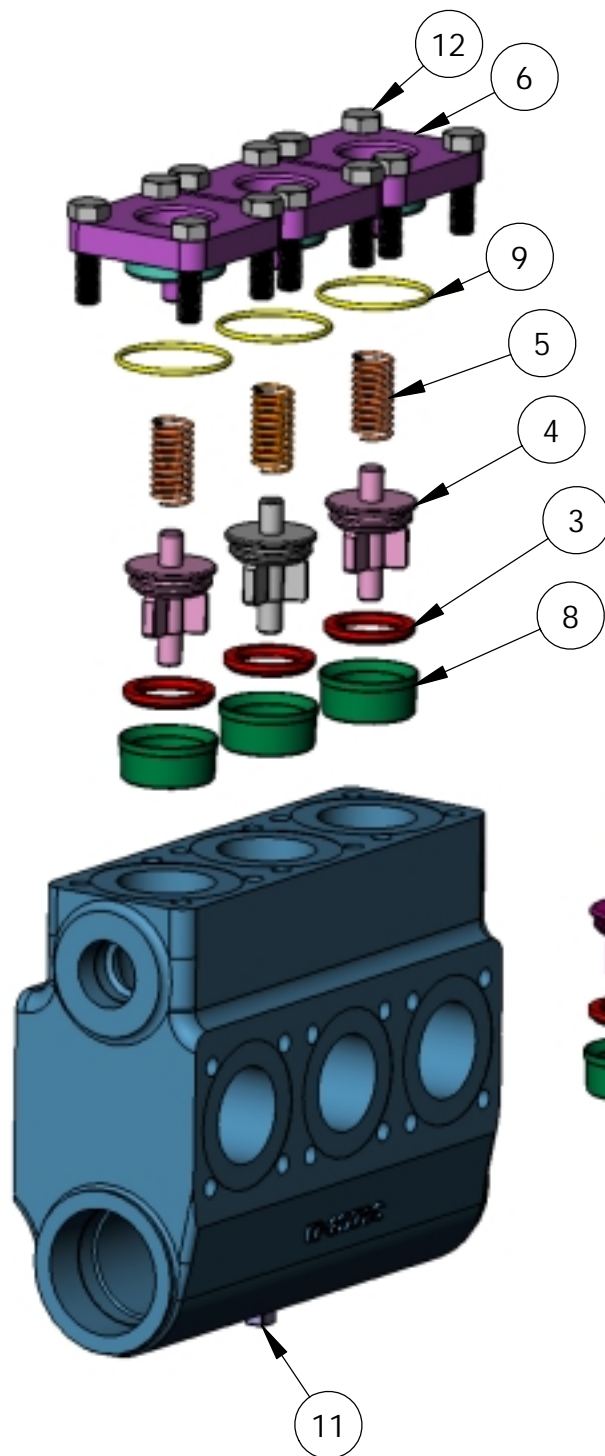


**PISTON ASSEMBLY  
 DRAWING**

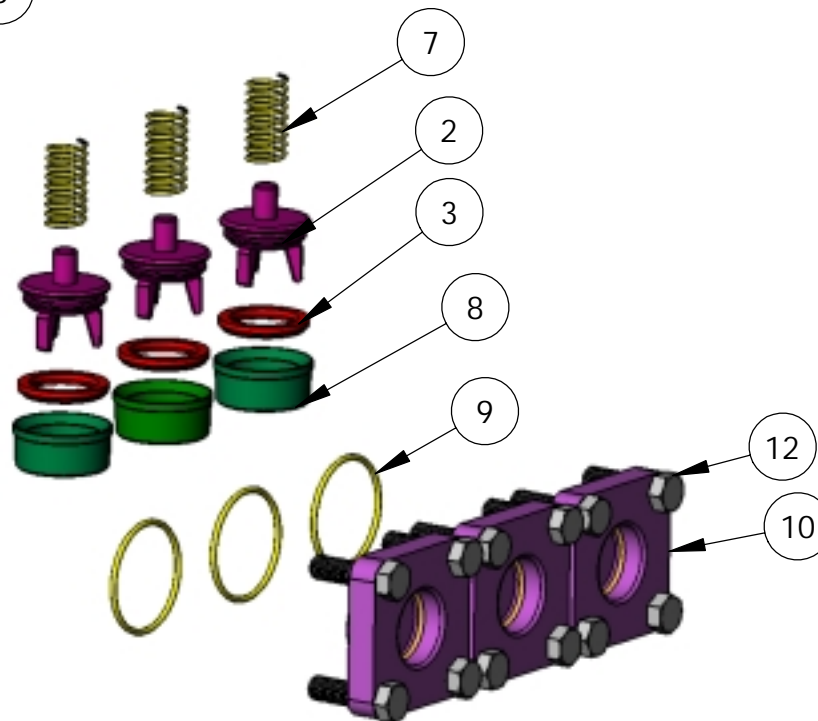
KP-245-300-A



SECTION B-B  
 SCALE 1 : 2

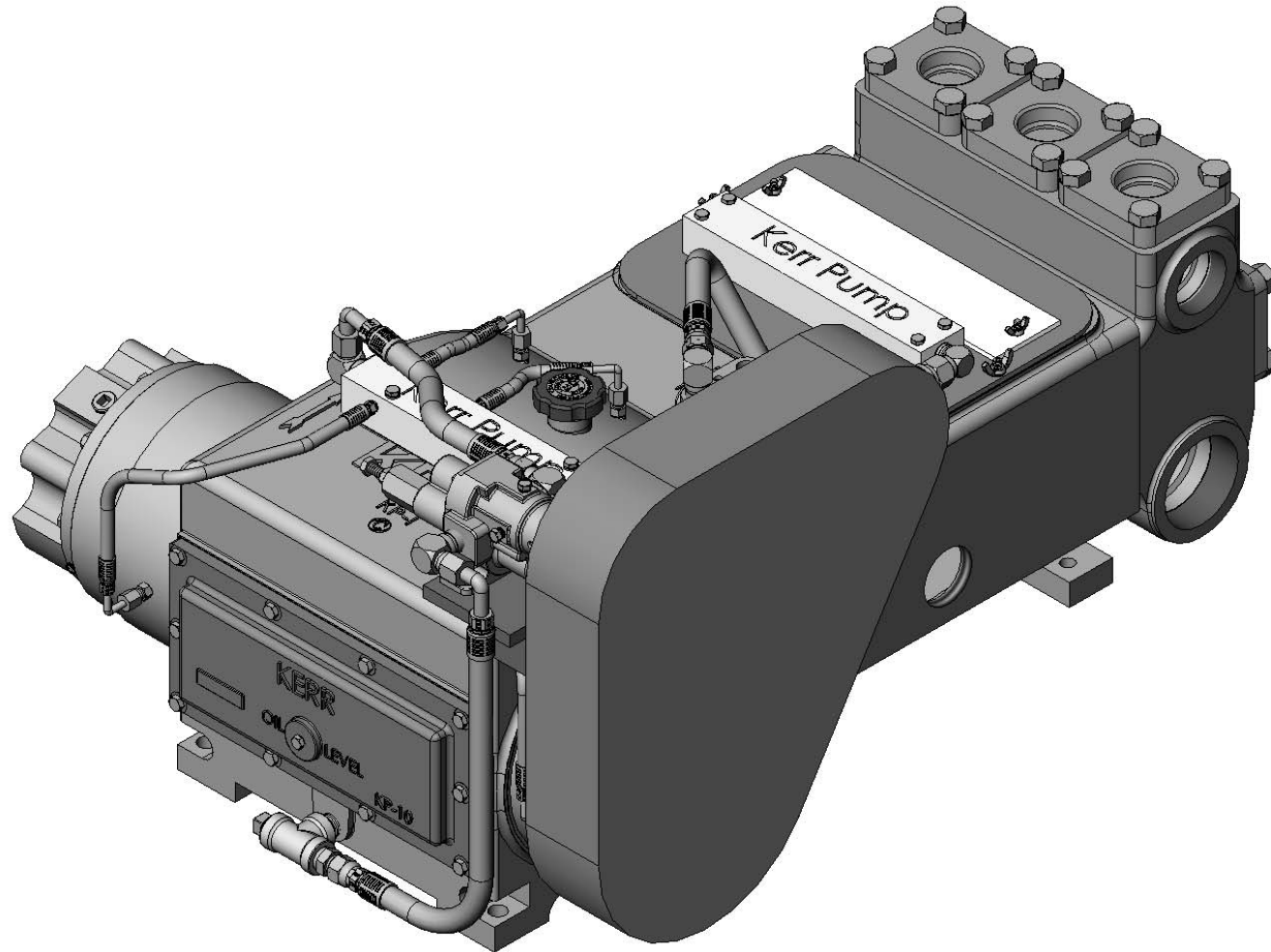


ITEM NO.	QTY.	PART NO.	DESCRIPTION
1	1	KP-29BCD	FLUID END
2	3	KP-81HT	SUCTION VALVE A/R
3	6	KP-85	ABRASIVE RESISTANT VALVE INSERT
4	3	KP-80HT	DISCHARGE VALVE A/R
5	3	KT-52L	VALVE SPRING (DISCHARGE) (LONG)
6	3	KP-30BC	TOP COVER CAP
7	3	KT-52S	VALVE SPRING (SUCTION) (SHORT)
8	6	KP-82HT	SEAT ABRASIVE RESISTANT SS
9	6	KP-32	COVER CAP "O" RING
10	3	KP-31BC	END COVER CAP
11	1	AP-71	FLUID END DRAIN PLUG
12	24	KP-35	COVER CAP CAPSCREW



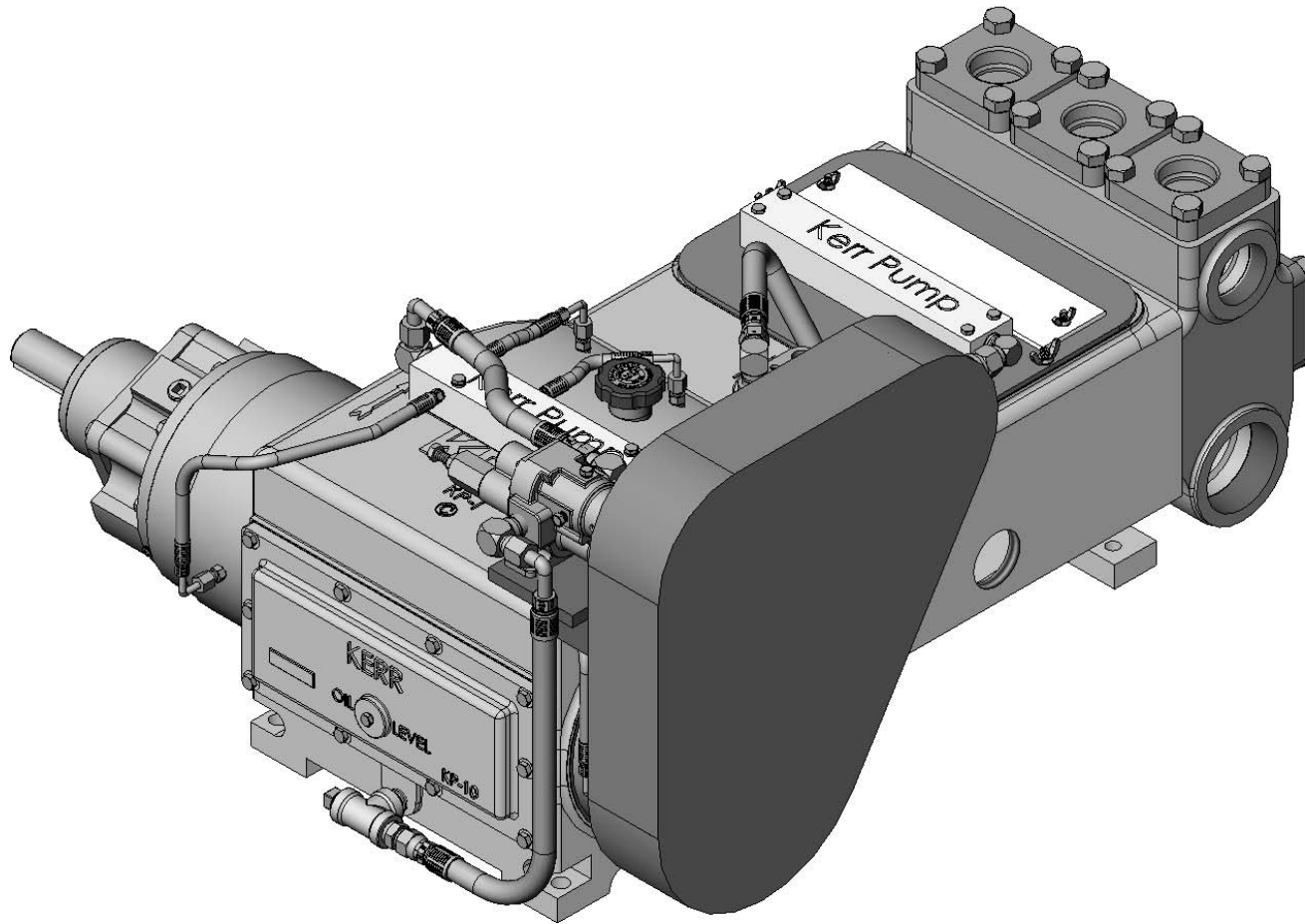
**KP-29BC**

DUPAGRO.COM



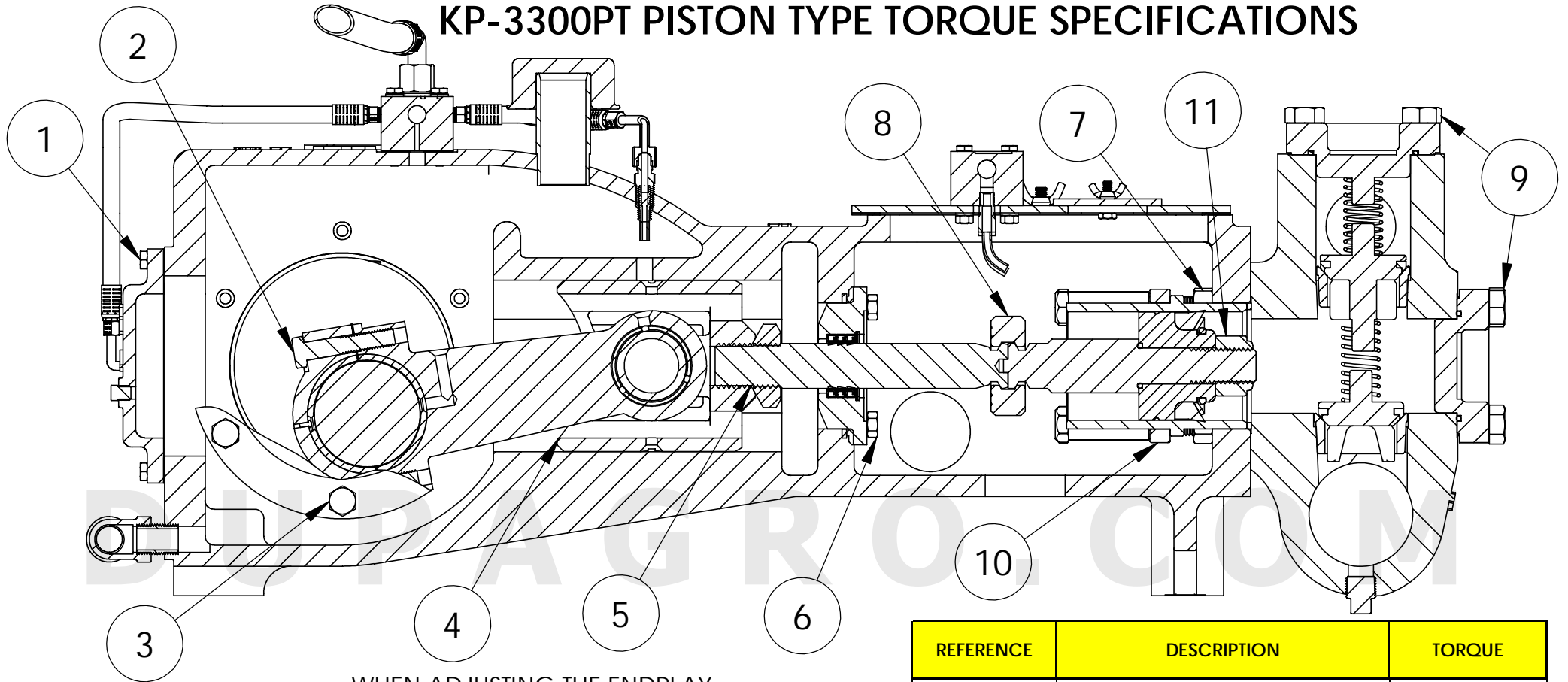
**KP-3300PT**

DUPAGRO.COM

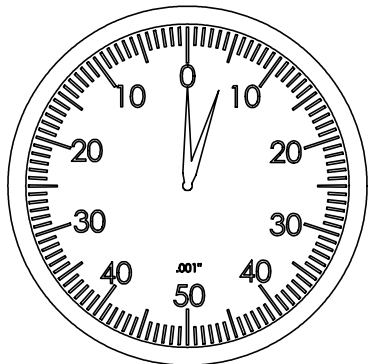


**KP-3300PT WITH DRIVE ASSEMBLY**

# KP-3300PT PISTON TYPE TORQUE SPECIFICATIONS



WHEN ADJUSTING THE ENDPLAY OF THE TAPERED ROLLER BEARINGS USED ON THE CRANKSHAFT, DIAL INDICATORS AND SHIMS MUST BE PROPERLY USED. INCORRECT BEARING ADJUSTMENT MAY RESULT IN EXCESSIVE NOISE, TEMPERATURE, AND REDUCED BEARING LIFE. Kerr Pumps RECOMMENDS BETWEEN .000" - .005" OF INTERNAL AXIAL CLEARANCE (END PLAY) WHEN ASSEMBLED. FINAL ADJUSTMENT MUST BE MADE USING A DIAL INDICATOR.



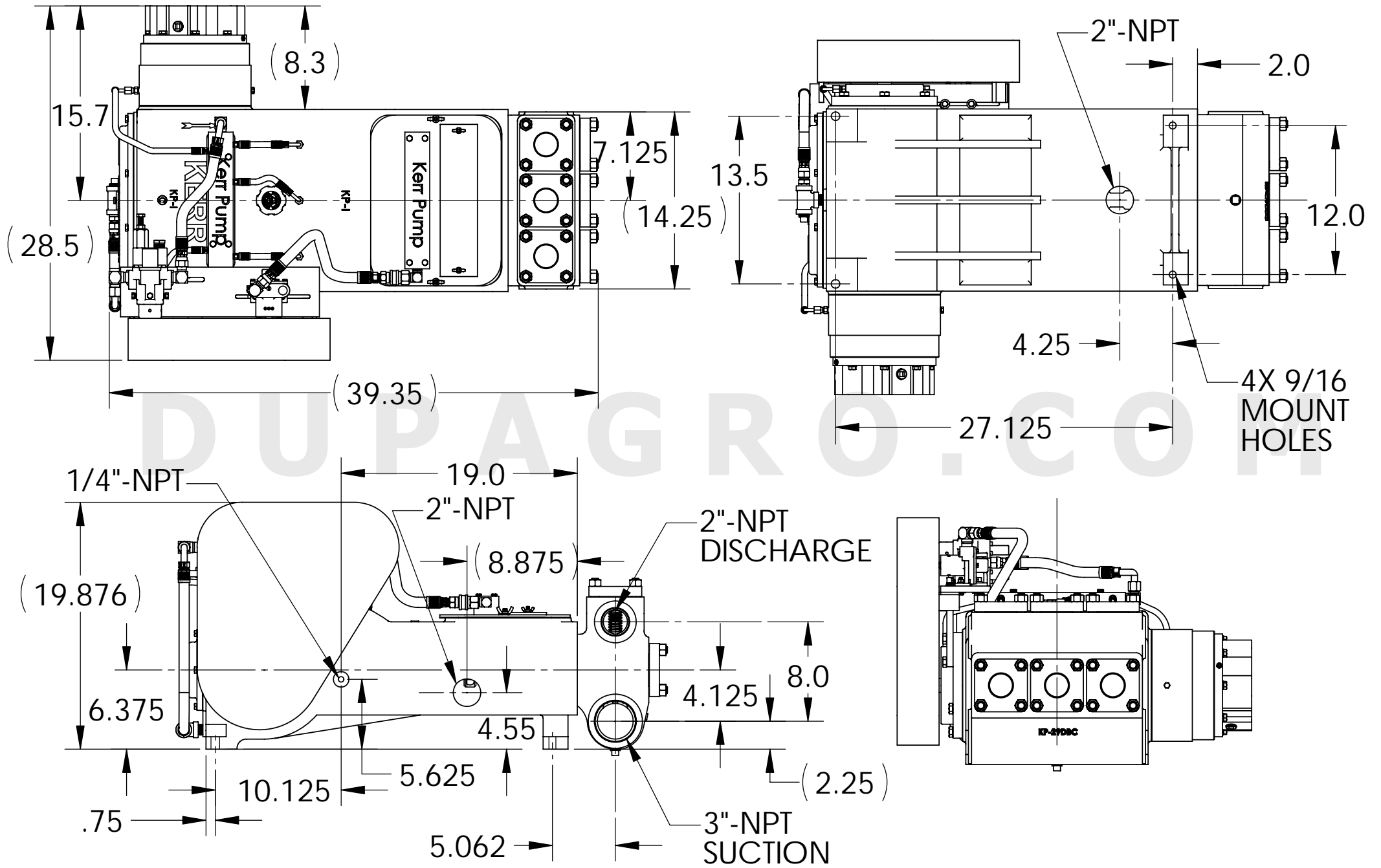
.000" - .005"  
SHAFT END PLAY

INSURE THE CONNECTING RODS ARE DISCONNECTED TO ALLOW FREE CRANKSHAFT MOTION.

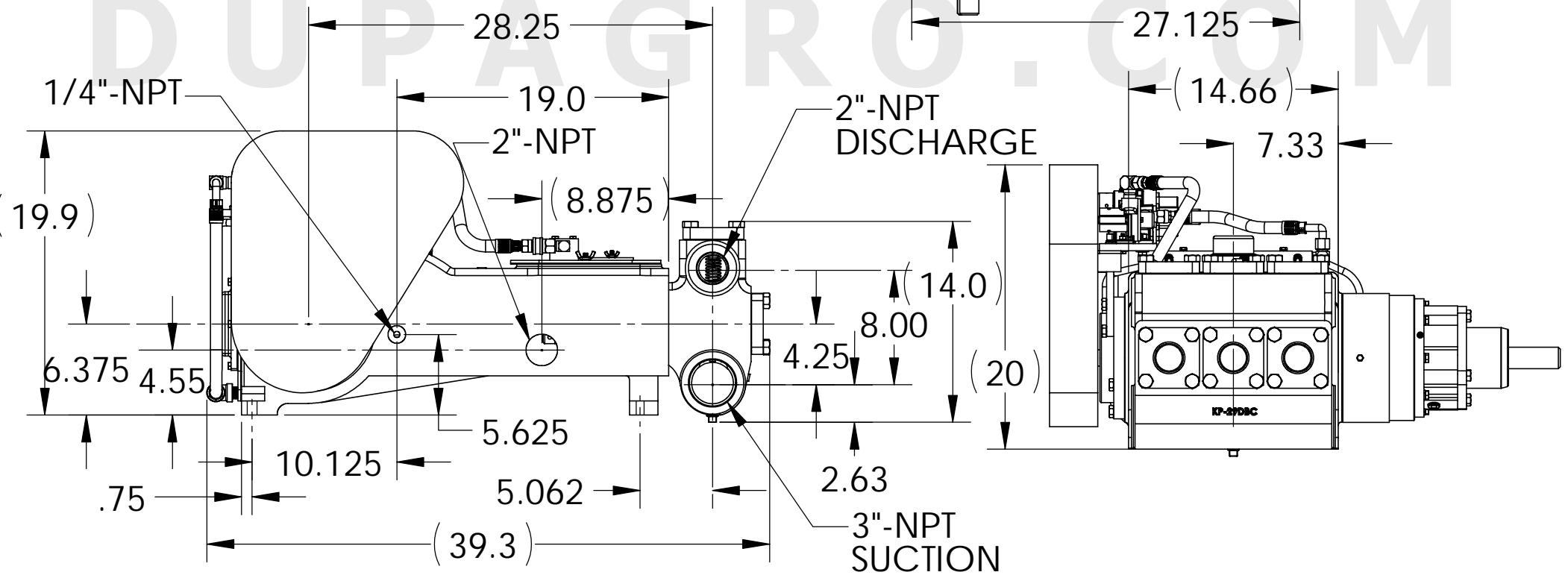
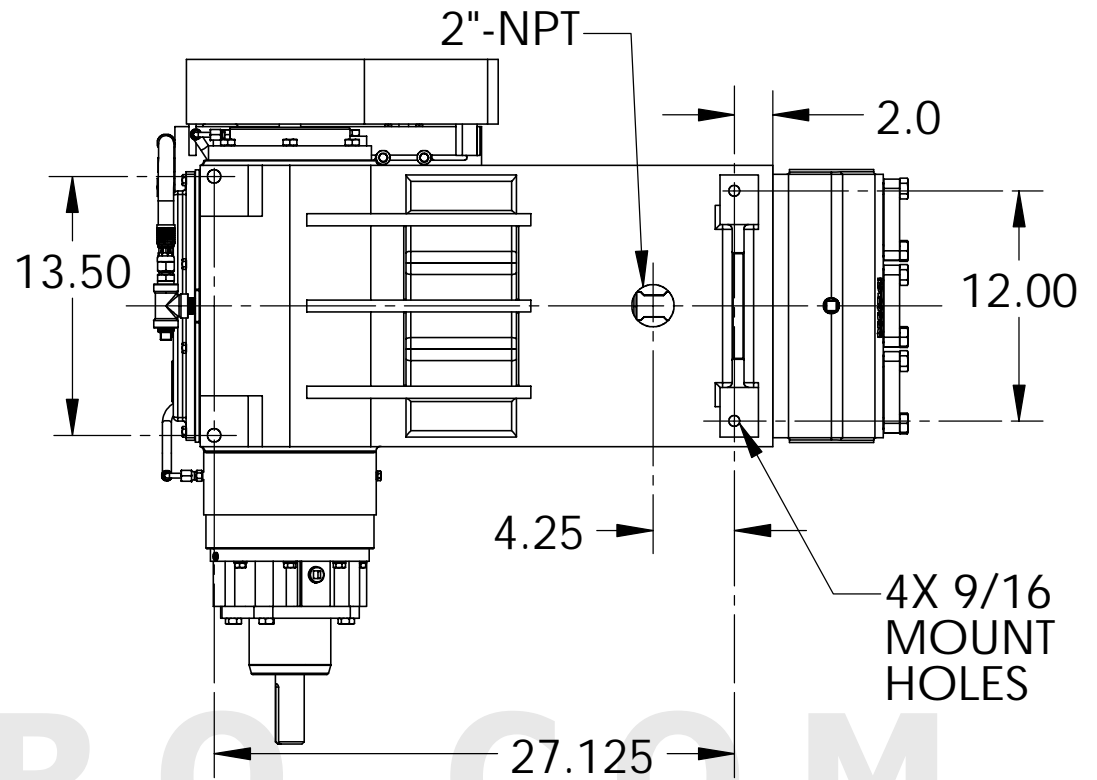
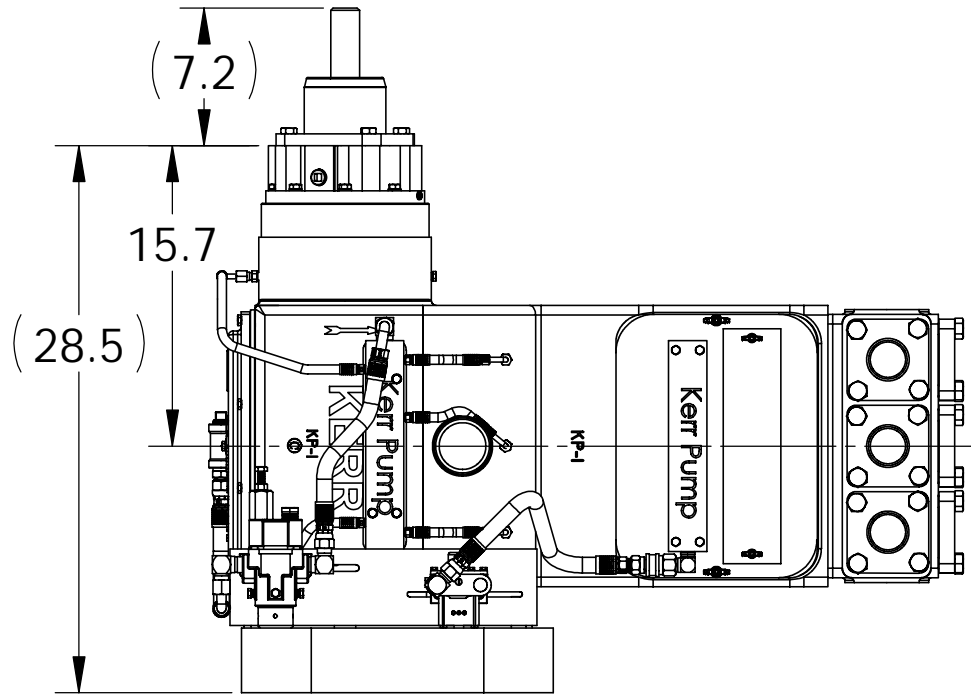
REFERENCE	DESCRIPTION	TORQUE
1	PAN COVER CAPSCREW	21 ft-lb (28 Nm)
2	CONNECTING ROD CAPSCREW	125 ft-lb (169 Nm)
3	BEARING HOUSING CAPSCREW	75 ft-lb (102 Nm)
4	WRIST PIN SET SCREW AND JAM NUT	30 ft-lb (41 Nm)
5	PONY ROD	500 ft-lb (678 Nm)
6	PONY ROD PACKING GLAND CAPSCREWS	50 ft-lb (68 Nm)
7	FLUID END STUD NUT	120 ft-lb (163 Nm)
8	CLAMP SOCKET HEAD CAPSCREW	20 ft-lb (27 Nm)
9	COVER CAP CAPSCREWS	245 ft-lb (332 Nm)
10	PISTON LINER RETAINER STUD NUT	100 ft-lb (136 Nm)
11	PISTON EXTENSION ROD SELF-LOCKING NUT	500 ft-lb (678 Nm)

NOTE: WHEN USING LUBRICANTS, REDUCE TORQUE AS FOLLOWS:

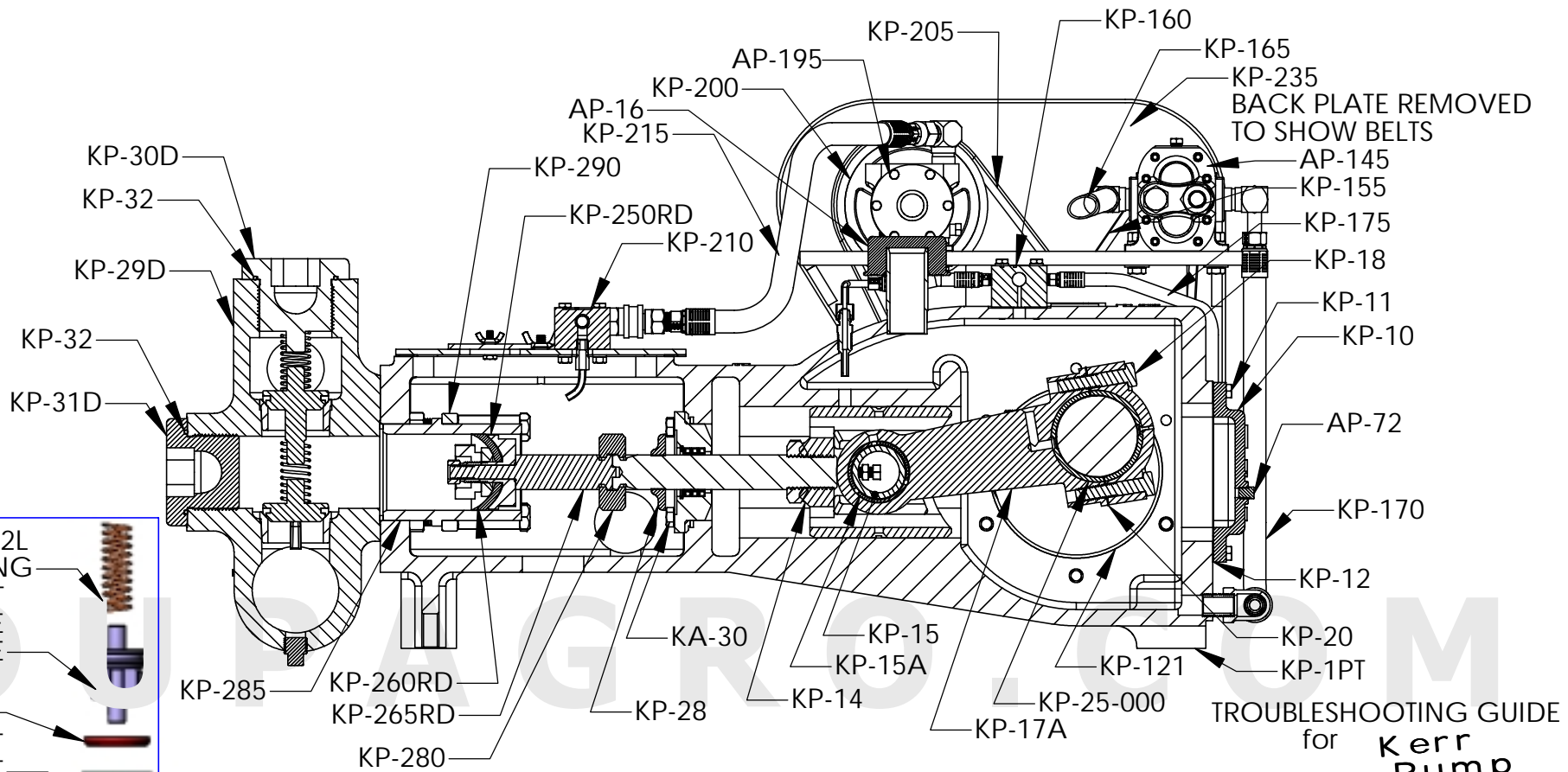
LUBRICANT	PERCENTAGE OF TORQUE REDUCTION REQUIRED
WHITE LEAD	REDUCE TORQUE 25%
GRAPHITE	REDUCE TORQUE 30%
OIL	REDUCE TORQUE 40%
GREASE	REDUCE TORQUE 40%
ANTI - SEIZE COMPOUND	REDUCE TORQUE 45%



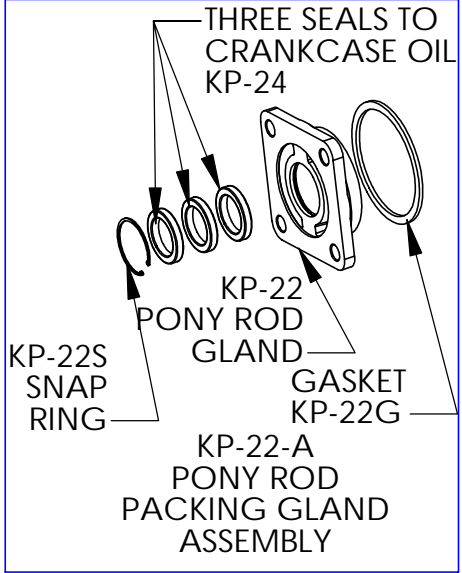
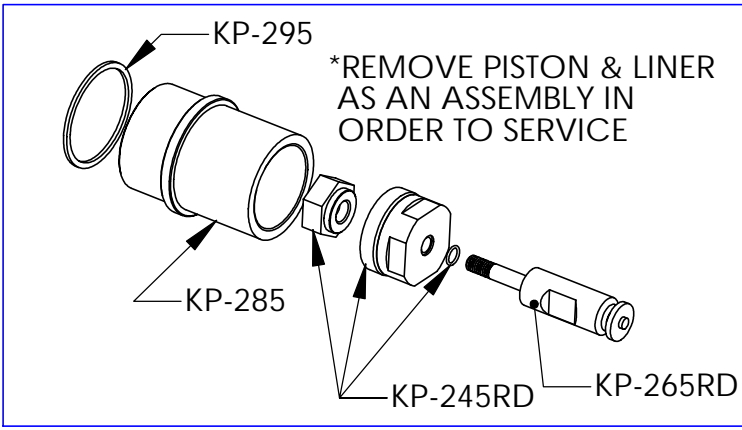
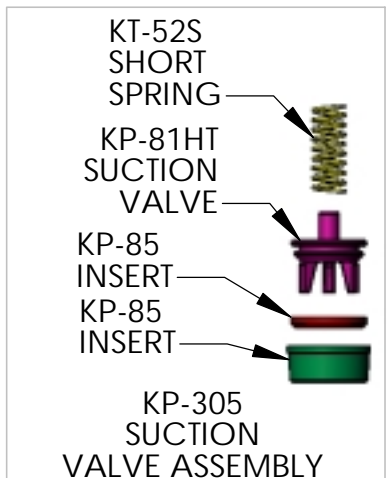
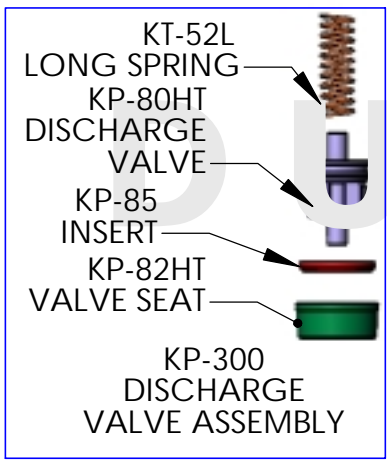
**GENERAL DIMENSIONS FOR KP-3300PT**



**GENERAL DIMENSIONS FOR KP-3300PTHD**



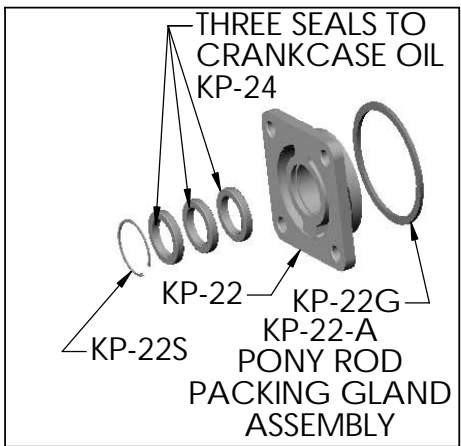
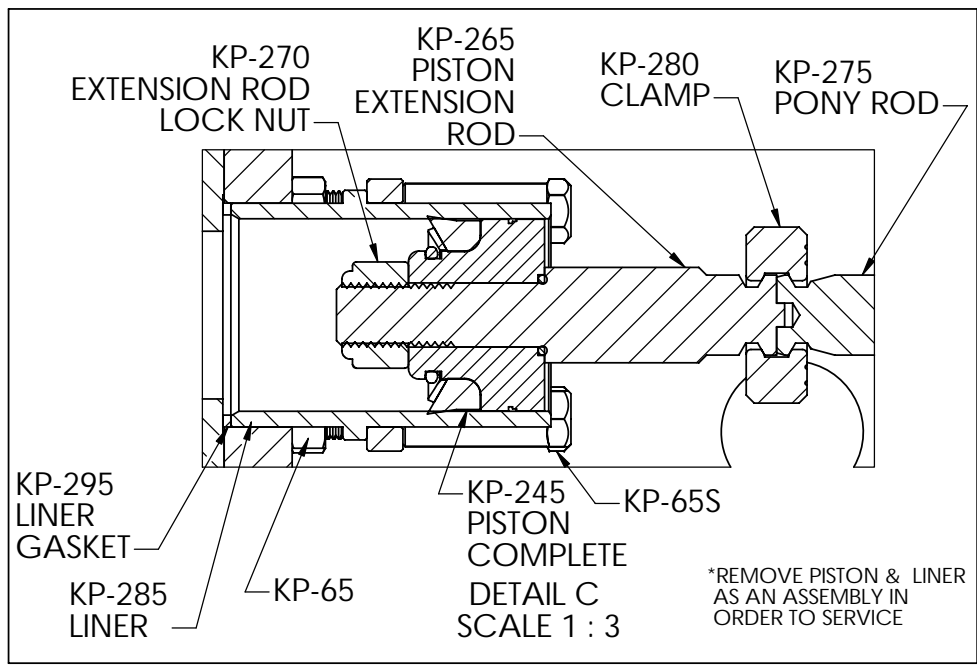
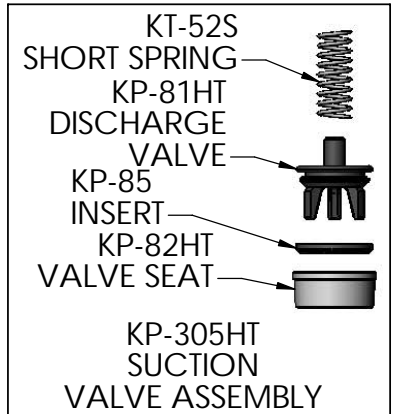
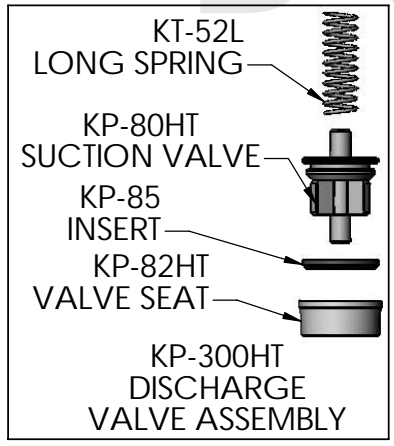
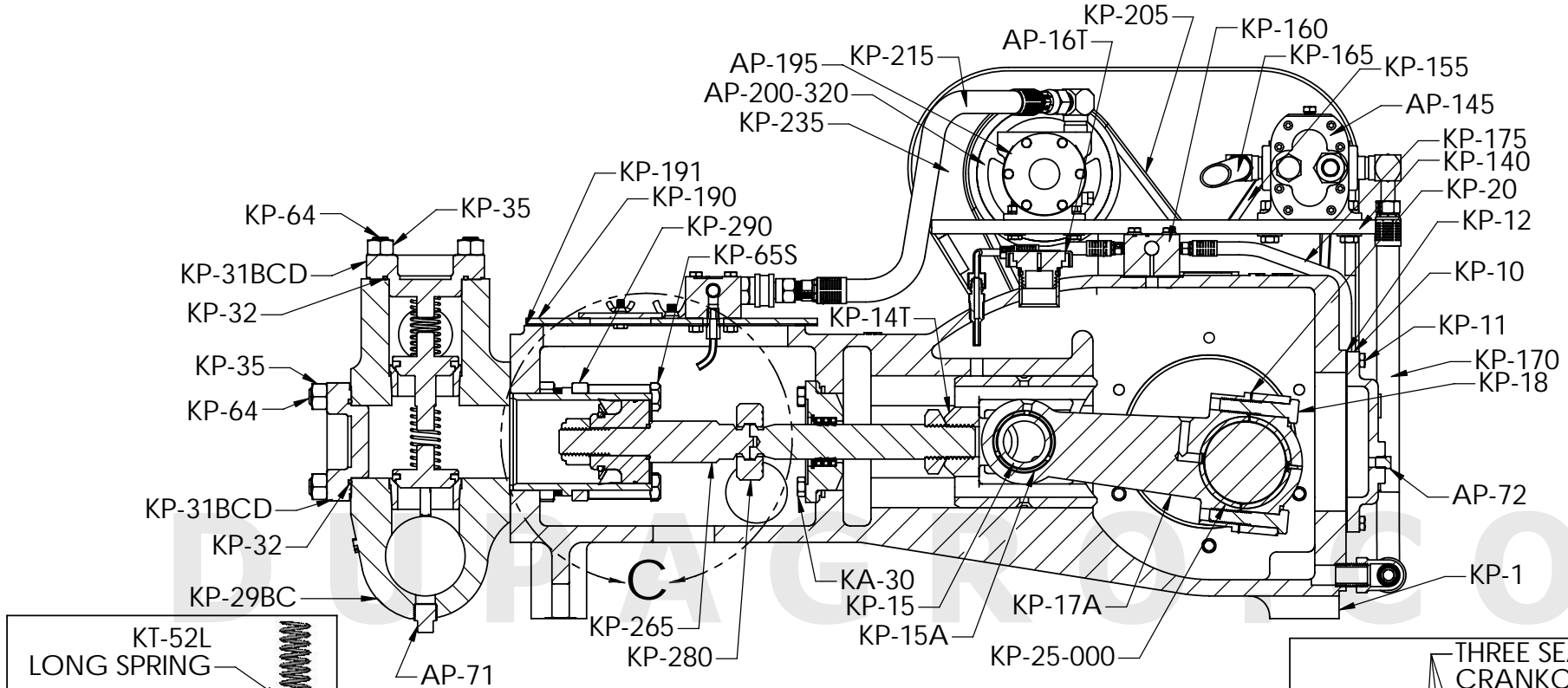
TROUBLESHOOTING GUIDE  
 for **Kerr**  
**Pump**



- 1) CHECK FOR LEAKING PISTONS  
- REPLACE IF NECESSARY
- 2) CHECK FOR PROPER FLUID FLOW  
TO PUMP  
- MINIMUM REQUIREMENTS 3"  
SUCTION HOSE NO MORE THAN 50'  
LONG WITH 30 PSI OF CONTINUOUS  
PRESSURE FEEDING PUMP
- 3) REMOVE VALVE COVER CAPS AND  
INSPECT VALVES & VALVE SEATS  
FOR FOREIGN OBJECTS AND WEAR  
- REPLACE IF NECESSARY

# KP-3300PT





**TROUBLESHOOTING GUIDE for Kerr Pump**

- 1) CHECK FOR LEAKING PISTONS  
- REPLACE IF NECESSARY
- 2) CHECK FOR PROPER FLUID FLOW TO PUMP  
- MINIMUM REQUIREMENTS 3" SUCTION HOSE NO MORE THAN 50' LONG WITH 30 PSI OF CONTINUOUS PRESSURE FEEDING PUMP
- 3) REMOVE VALVE COVER CAPS AND INSPECT VALVES & VALVE SEATS FOR FOREIGN OBJECTS AND WEAR  
- REPLACE IF NECESSARY

# KP-3300PT

## Kerr KP-3300PT Piston Type Pump

Part Number	Description	# Req
KP-1PT	Pump Case	1
KP-2	Crankshaft - Heat Treated	1
KP-2S	Crankshaft - (Steel)	1
KP-3	Crankshaft Oil Seal	1
KP-3S-8	Crankshaft Oil Seal For Crankshaft 120S-8	1
KA-6	Bearing Housing Capscrews	12
KA-6B	Bearing Housing Capscrews 2	3
KP-6HD-125-6	Socket Head Capscrew for Bearing Housing Hyd-125-6	6
KP-6HD-125-6000	Socket Head Capscrew for Bearing Housing Hyd-125-6000	6
KP-7	Bearing Housing Gaskets	2
KP-8-005	Main Bearing Adjusting Shims .005	As Req.
KP-8-010	Main Bearing Adjusting Shims .010	As Req.
KP-8-015	Main Bearing Adjusting Shims .015	As Req.
KP-9	Main Bearings	2
KP-9S	Main Bearings For Crankshaft 120S-8	2
KP-10	Pan Cover	1
KP-11	Pan Cover Capscrews	10
KP-12	Pan Cover Gasket	1
KP-14T	Crosshead (Tapered)	3
KP-15	Wrist Pin	3
KP-15A	Wrist Pin Bushing	3
AP-16	Breather Cap (Oil Filler)	1
AP-16T	Breather Cap (Oil Filler) Threaded Style	1
KP-16	Wrist Pin Set Screws & Nut	3
KP-17	Connecting Rod Only (No Inserts - Requires inserts both ends)	3
KP-17	Connecting Rod Only (No Inserts - Requires inserts both ends)	3
KP-17A	Connecting Rod (Inserted Both Ends)	3
KP-17	Connecting Rod Only (No Inserts - Requires inserts both ends)	6
KP-18	Connecting Rod Capscrews	6
KP-20	Connecting Rod Shim	3
KP-22	Pony Rod Gland Snap Ring Style	3
KP-22A	Pony Rod Gland Assy (KP-22, KP-22G, KP-22S, KP-24)	3
KP-22G	Gasket, Pony Rod Gland	3
KP-22S	Pony Rod Gland Snap Ring	3
KP-22M	Pony Rod Gland Snap Ring Type for KP-24W-A Seal Kit	3

## Kerr KP-3300PT Piston Type Pump

KP-22M-A	Pony Rod Gland Assembly (Pony Rod Gland, Snap Ring, 2 Seals, & 1 Wiper)	3
KP-24	Pony Rod Oil Seal (Req. 3 per Gland)	3
KP-24W-A	Pony Rod Seal Kit (2 Seals & 1 Wiper per Set)	3
KP-25-000	Connecting Rod Insert Bearing (Std)	3
KP-25-015	Connecting Rod Insert Bearing (.015)	3
KP-25-030	Connecting Rod Insert Bearing (.030)	3
KP-25-045	Connecting Rod Insert Bearing (.045)	3
KP-25-060	Connecting Rod Insert Bearing (.060)	3
KP-28	Pony Rod Splash Guard	3
KP-29D	Fluid End Vessel Only (Ductile)	1
KP-29BCD	Fluid End Vessel Only Bolted Cap Plug (Ductile)	1
KA-30	Pony Rod Gland Capscrews SS	12
KP-30D	Top Cover Cap Threaded (Ductile)	3
KP-30BCD	Top Cover Cap (Ductile) (Bolted Cap)	3
KP-31D	End Cover Cap (Ductile)	3
KP-31BCD	End Cover Cap (Ductile) (Bolted Cap)	3
KP-32N	Cover Cap O-Ring, Nitrile	6
KP-32A	Cover Cap O' Ring, Aflas	6
KP-35	Cover Cap Capscrew	12
KT-52L	Valve Springs Discharge Long	3
KT-52S	Valve Spring (Short) (Suction)	3
KP-64	Fluid End Stud	12
KP-65	Stuffing Box / Fluid End Stud Nut	12
KP-65S	Liner Retainer Stud Nut (Special)	12
AP-71	Drain Plug 1/2" Hex Pipe Plug	1
AP-72S	1/8 NPT Oil Level/Stuffing Box Hex Plug (Steel)	3
AP-72SS	1/8 NPT Oil Level/Stuffing Box Hex Plug (Stainless Steel)	3
AP-72AB	1/8 NPT Oil Level/Stuffing Box Hex Plug (AB)	3
KP-73	Cover Cap Wrench	1
KP-76	Valve Puller Wing Type	1
KP-76M	Wing-Guided Seat Tri-Pin Type Puller Ass'y	1
KP-76M-1	Rod, Puller	1
KP-76M-2	Pin Set, Puller	3
KP-76M-3	Head, Puller	1
KP-76M-4	Spacer Washer, Puller	1
KP-76M-5	Nut, Puller	1

## Kerr KP-3300PT Piston Type Pump

KP-76M-5	O-Ring, Puller	1
AP-77T	Valve Insert Tool	1
KP-80HT	Discharge Valve, Heat Treated, A/R with Insert	3
KP-81HT	Suction Valve, Heat Treated, A/R with Insert	3
KP-82HT	Valve Seat, Heat Treated, A/R	6
KP-85B	Abrasive Resistant Valve Insert Blue	3
KP-85R	Abrasive Resistant Valve Insert Red	6
KP-113PT	KP-3300PT Rebuild Gasket Kit Complete: (1) KP-3, (2) KP-7, (1) KP-12, (3) KP-22G, (3) KP-24, (3) KP-28, (6) KP-32, (1) AP-135, (1) KP-161, (1) KP-191, (3)KA-246, (3) KP-246RD, (3) KP-295	1
KP-120	Crankshaft, Hydraulic Drive 1 1/2 6000	1
KP-120-6	Crankshaft, Splined Hydraulic Drive 40 Tooth Spline #6	1
KP-120-GM3-GS2	Crankshaft, Hyd Mtrs SAI - Int Spln GM3 - GS2	1
KP-120S-8	Crankshaft, Splined Hydraulic Drive 21 Tooth Spline #8 (Steel)	1
KP-121	Crankshaft, Hydraulic Drive 1 1/4 Straight Keyed Drive	1
KP-122	Shaft Adapter 4000 Bearingless	1
AP-124	Crankshaft Splined Adapter for Auburn # 6	1
KP-125-6000	Bearing Housing, 6000 Bearingless	1
KP-125-6	Bearing Housing, Hydraulic Drive for Auburn # 6	1
KP-125-8	Bearing Housing, Hydraulic Drive for Auburn # 8	1
KP-125-GS2	Bearing Housing, Hyd Mtr SAI GS2 Internal Spline	1
KP-125-GM3	Bearing Housing, Hyd Mtr SAI GM3 Internal Spline	1
KP-130	Bearing Housing, Extension Shaft Side	1
AP-132	Auxiliary Shaft	1
KP-133	Bearing Housing, Extension Shaft for Lube System	1
KP-134	Bearing Housing, Standard Drive for Lube System	1
AP-135	Oil Seal, Bearing Housing Extension Shaft	1
KP-140LH	Bracket, Oil and Water Pumps (Left-Hand Drive)	1
KP-140RH	Bracket, Oil and Water Pumps (Right-Hand Drive)	1
KP-141	Water Pump Bracket, Bearing Housing	1
AP-145	Oil Pump, 1/2 Cast Iron	1
AP-150	Sheave, Oil Pump	1
KP-155	Belt, Oil Pump	1
KP-160	Oil Manifold	1
AP-160-1	Oil Manifold 90 Degree Elbow	1
AP-160-2	90 Degree Tube Fitting 1/2 (Supplied with hose)	1
AP-160-3	Male Pipe Rigid 1/4 x 1/8 (Supplied with hose)	5

## Kerr KP-3300PT Piston Type Pump

AP-160-4	Oil Manifold Plug	1
KP-160-5	Fitting, Crosshead Oil Injector	3
KP-160-6	Fitting, Female Swivel (Supplied with hose)	3
KP-161	Oil Manifold Gasket	1
KP-165	Oil Line, Pump to Oil Manifold	1
KP-170	Oil Line, Pump to Oil Sump	1
KP-175	Oil Line, Manifold to Bearing Housing	2
KP-180	Oil Line, Manifold to Crosshead	3
KP-190	Piston Chamber Cover	1
KP-190A	Piston Chamber Spray Unit Complete	1
AP-190-2	Water Manifold Plug	1
AP-190-3	Water Manifold/Oil Manifold Bolt	4
AP-190-4	Water Manifold 90 Degree Fitting	1
AP-190-5	Water Manifold Quick Coupling	1
AP-190-8	Piston Chamber Cover Inspection Glass Wing Nut	2
AP-190-9	Piston Chamber Cover Inspection Glass Capscrew	2
AP-190-10	Piston Chamber Cover Wing Nut	2
AP-190-11	Piston Chamber Cover Setscrew	2
AP-190-12	Fitting, Water Jet	3
AP-190-13	1/4 Lock Washer	4
AP-190-14	1/4-20 UNC Nut	4
KP-191	Piston Chamber Cover Gasket	1
KP-192	Piston Chamber Cover Inspection Glass	1
AP-195	Water Pump, Bronze	1
AP-197	Water Pump Repair Kit (Nitrile)	1
AP-200-320	Sheave, Water Pump 3.2	1
AP-205-037	Belt, Water Pump A37	1
KP-210	Water Manifold	1
KP-215	Line, Water Pump to Manifold	1
AP-216	3/8 Quick Connect	1
KP-220	Line, Water Pump to Supply Tank	1
KP-225	Line, Water Manifold to Piston Cover	3
AP-230	Sheave, Crankshaft Drive to Pumps	1
AP-230-9	Sheave Bushing	1
KP-235LH	Belt Guard, Pump Drive (Left-Hand Drive)	1
KP-235RH	Belt Guard, Pump Drive (Right-Hand Drive)	1

## Kerr KP-3300PT Piston Type Pump

AP-235-17	1/4-20 UNC x 1 1/4 Capscrew	2
AP-235-19	1/4 Flat Washer	2
AP-235-21	3/8-16 UNC x 1 1/4	2
AP-235-22	3/8 Flat Washer	2
AP-235-23	3/8 Lock Washer	2
AP-235-24	3/8-16 UNC Hex Head Nut	2
AP-235-27	3/8-16 UNC x 3/8 Setscrew	2
AP-235-31	SAE JIC Male Connector 1/4 x 1/8	2
AP-235-32	90 Degree Tube Fitting 1/4 (Supplied with hose)	1
AP-235-50	Rotation Label	1
KP-240	Liner Cooling System Reservoir Kit	1
KP-245-250	Piston Complete 2 1/2	3
KP-245-275	Piston Complete 2 3/4	3
KP-245-300	Piston Complete 3	3
KP-245-275RD	Piston Complete 2.75 (Run Dry Type)	3
KA-246	Piston O' Ring	3
KP-246RD	Piston O' Ring (Run Dry Type)	3
KP-250-250	Piston, Body Only 2 1/2	3
KP-250-300	Piston, Body Only 3	3
KP-250-275RD	Piston Body Only 2.75 (Run Dry Type)	3
KP-260-250	Piston Cup 2 1/2	3
KP-260-300	Piston Cup 3	3
KP-260-275RD	Piston Cup 2.750 (Run Dry Type)	3
KP-261-275RD	Piston Cup Retainer Plate (Run Dry Type)	3
Km-264RD	Piston Cup Nut (Run Dry Type)	3
KP-265	Piston Extension Rod	3
KP-265RD	Piston Extension Rod (Run Dry Type)	3
KA-270	Piston Extension Rod Lock Nut	3
KP-270RD	Piston Extension Rod Lock Nut (Run Dry Type)	3
KP-275	Pony Rod Piston Type Pump	3
KP-276	Installation Tool for Pony Rod Seal	1
KP-277	Pony Rod Installation Wrench	1
KP-280	Clamp, Pony Rod to Piston Rod	3
KP-285-250CH	Liner, 2.5 Chrome	3
KP-285-250CER	Liner, 2.5 Ceramic	3
KP-285-250KER	Liner, 2.5 Kerramic	3

## Kerr KP-3300PT Piston Type Pump

KP-285-275CER	Liner, 2.75 Ceramic	3
KP-285-275KER	Liner, 2.75 Kerramic	3
KP-285-300CH	Liner, 3 Chrome	3
KP-285-300CER	Liner, 3 Ceramic	3
KP-285-300KER	Liner, 3 Kerramic	3
KP-285-250CH-A	Liner Assembly 2 1/2 (Piston complete, rod, locknut, liner, gasket)	3
KP-285-250CER-A	Liner Assembly 2 1/2 (Piston complete, rod, locknut, liner, gasket)	3
KP-285-275CERRD-A	Liner Assembly 2 3/4 (Piston complete, rod, locknut, liner, gasket)RD	3
KP-285-300CH-A	Liner Assembly 3 (Piston complete, rod, locknut, liner, gasket)	3
KP-285-300CER-A	Liner Assembly 3 (Piston complete, rod, locknut, liner, gasket)	3
KP-290	Liner Retainer	3
KP-295	Liner Gasket	3
KP-300HT	Abrasive Resistant Discharge Valve Complete (KP-80HT, KP-82HT & KP- 52L)	3
KP-305HT	Abrasive Resistant Suction Valve Complete (KP-81HT, KP-82HT & KP-52S)	3
KA-306	Valve Seat Seating Tool	1
KP-320	Flow Meter	1
AP-324-6-3	# 6 Planetary Gear Assembly 3.75:1 14 Tooth Input Spline SAE C Bolt Mount	1
AP-324-6-4	# 6 Planetary Gear Assembly With 1 1/2 Male Input Shaft 4.5:1	1
AP-324-9-5	# 9 Planetary Gear Assembly 5.50:1	1
AP-324-8-7	# 8 Planetary Gear Assembly 7.07-1	1
AP-324-8-6	# 8 Planetary Gear Assembly 6.0-1	1
AP-324-8-4	# 8 Planetary Gear Assembly 4.86-1	1
AP-330	SAE C 4 Bolt Drive Assembly 1-1/2 Male Input Shaft	1
AP-330H	Housing, SAE C 4 Bolt Drive Assembly 1-1/2 Male Input Shaft	1
AP-330S	Input Shaft, SAE C 4 Bolt Drive Assembly 1-1/2 Male Input Shaft	1
AP-330B	Bearings, SAE C 4 Bolt Drive Assembly 1-1/2 Male Input Shaft	2
AP-330-1	Oil Seal, SAE C 4 Bolt Drive Assembly 1-1/2 Male Input Shaft	1
AP-330-2	Snap Ring, SAE C 4 Bolt Drive Assembly 1-1/2 Male Input Shaft	1
AP-351	Oil Level Sight Glass	1
AP-352	Oil Level Sight Plug	1

All prices and part numbers are subject to change without prior notice.