

GEARENCH PETOL TONGVISE

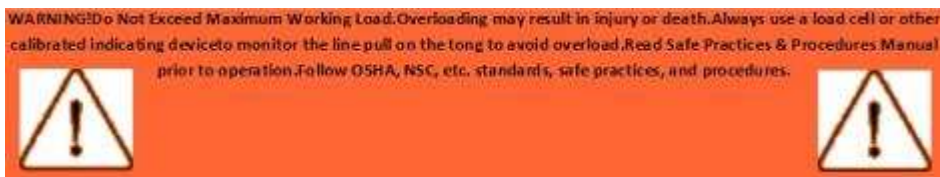


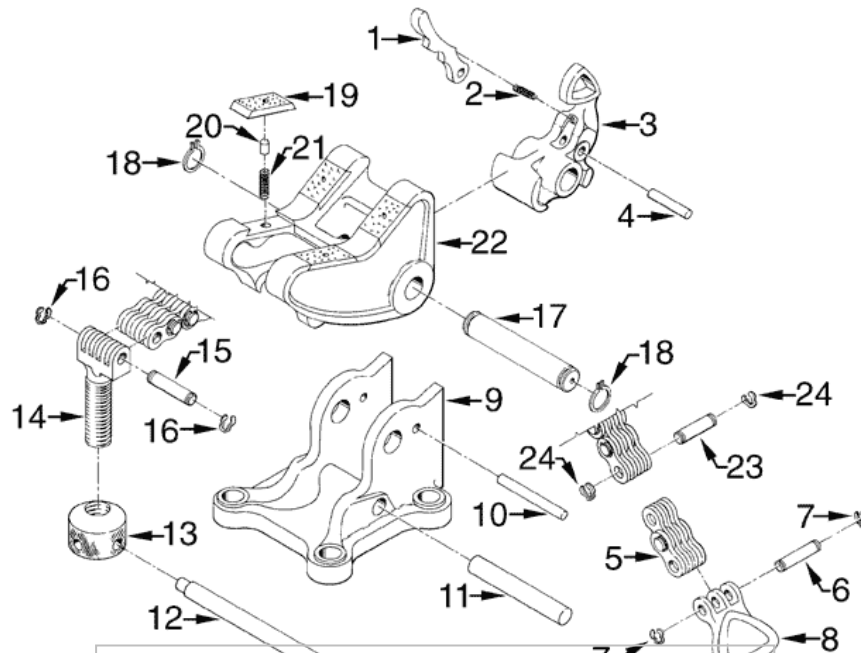
PETOL TONGVISES are designed for heavy-duty breakout or makeup operations. The TONGVISE takes the place of several vises used in pipe yards, machine shops, downhole tool shops and on offshore drilling platforms.

PETOL TONGVISES have the unique feature of being easily adjusted to various pipe sizes by simply sliding the heat-treated PETOL Special chain through the jaw of the vise and engaging the locking cam lever. Regardless of the load being applied these vises will not jam.

The vise is quickly adjusted to fit any O.D. within its capacity, and incorporates a self-tightening feature which increases the grip as the torque increases. The Tongvise is equipped with replaceable high-speed steel PETOL Diamond Point Inserts for minimum marring of pipe surfaces.

TONGVISE					
CATALOG NO.	O.D.*	GRIPPING WIDTH	WEIGHT**	US MAXIMUM WORKING LOAD	Nm MAXIMUM WORKING LOAD
PULLDOWN VISETONGS					
TVA115H	2" - 8"	5.25"	79 lbs.	14,000 ft.-lbs.	18970 Nm
TVA116	4" - 14"	7.00"	176 lbs.	38,500 ft.-lbs.	52198 Nm
TVA116H	4" - 14"	7.25"	317 lbs.	50,000 ft.-lbs.	67750 Nm
TVA118	4" - 24"	9.00"	575 lbs.	90,000 ft.-lbs.	121950 Nm
TVA120	6" - 24"	12.63"		235,000 ft.-lbs.	318425 Nm
*Chain assemblies must be ordered separately. See chain guide. **Weights do not include chain.					





PETOL TONGVISSE		
KEY NO	ITEM DESCRIPTION	NO. REQ'D.
1	PAWL LATCH	1
2	LATCH SPRING	1
3	PAWL	1
4	PAWL LATCH RIVET	1
5	SPECIAL CHAIN ONLY	1
6,7	CHAIN HANDLE PIN W/KLIPRINGS	1
8	CHAIN HANDLE	1
9	BASE	1
10	LATCH PIN	1
11	BASE PIN	1
12	CHAIN SCREW NUT LEVER	1
13	CHAIN SCREW NUT	1
14	CHAIN SCREW	1
15,16	CHAIN SCREW PIN W/KLIPRINGS	1
17,18	JAW PIN W/KLIPRINGS	1
19	INSERT	4
20	INSERT KEY	4
21	INSERT KEY SPRING	4
22	JAW	1
23	CHAIN PIN	as req'd.
24	CHAIN PIN KLIPRING	as req'd.
	NOTE: PARTS MAY VARY SLIGHTLY AMONG SIZES	