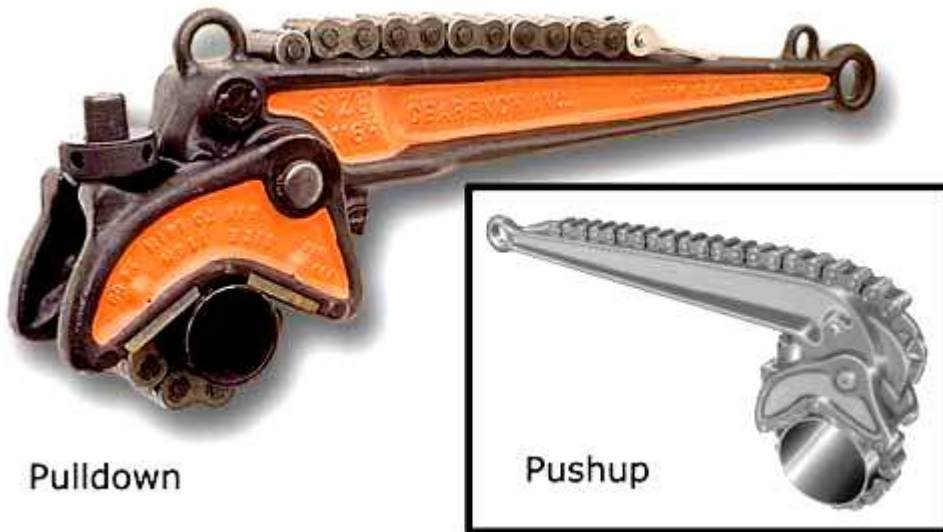


GEARENCH PETOL VISETONGS



PETOL VISETONGS are designed to operate best when large makeup torques are required and when heavy loads are needed to breakout tool joints, drill collars, reamers, and similar heavy jobs. A hydraulic cylinder can be attached to the end of the tong handle.

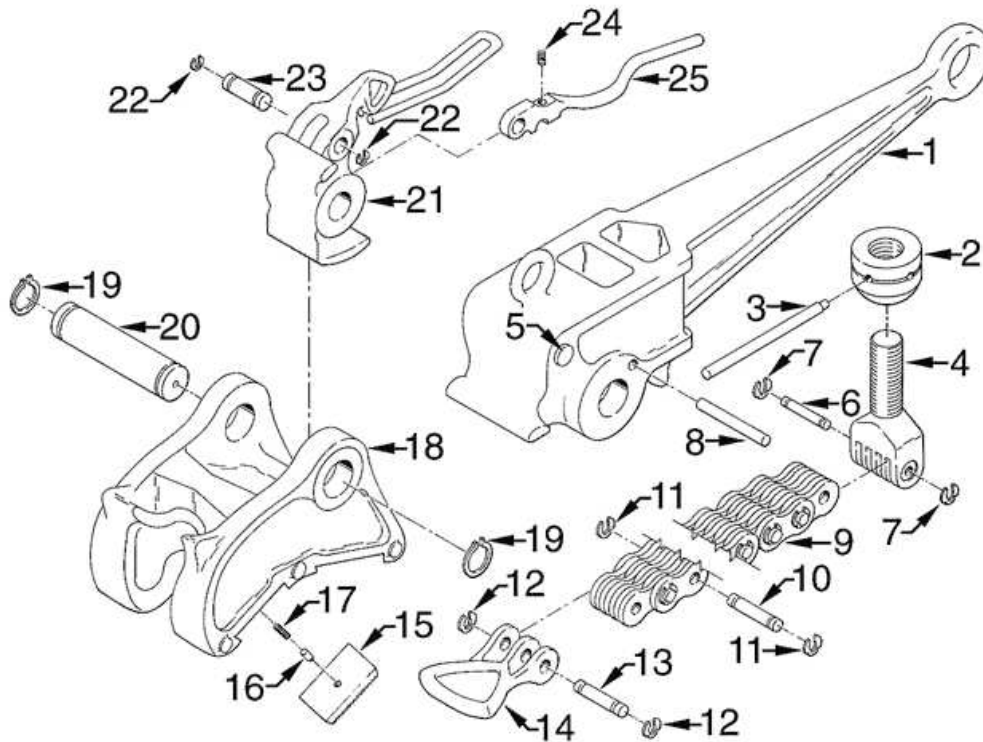
PETOL VISETONGS have the unique feature of being easily adjusted to various pipe sizes by simply sliding the heat-treated PETOL Special Chain through the jaw of the tong and engaging the locking cam lever. Regardless of the load on the handle, these tongs will not jam.

PETOL VISETONGS have minimum crushing effect, and great strength for their weight. Made of high-quality steel, these tongs are equipped with replaceable high-speed steel PETOL Diamond Point Inserts, which minimize marring of pipe surfaces. PETOL VISETONGS come in both pushup and pulldown designs.

VISETONGS						
CATALOG NO.	O.D.*	GRIPPING WIDTH	HANDLE LENGTH	WEIGHT**	US MAXIMUM WORKING LOAD	Nm MAXIMUM WORKING LOAD
PULLDOWN VISETONGS						
VTDA115H	2" - 8"	5.25"	24"	79 lbs.	14,000 ft.-lbs.	18.970 Nm
VTDA116H	4" - 14"	7.25"	36"	176 lbs.	50,000 ft.-lbs.	67.750 Nm
VTDA118	4" - 24"	9.00"	46"	317 lbs.	90,000 ft.-lbs.	121.950 Nm
VTDA120	6" - 24"	12.63"	36"	575 lbs.	235,000 ft.-lbs.	318.425 Nm
PUSHUP VISETONGS						
VTUA118	4" - 24"	9.00"	54"	328 lbs.	75,000 ft.-lbs.	101.625 Nm
VTUA118-L36	4" - 24"	9.00"	36"	294 lbs.	72,000 ft.-lbs.	97.560 Nm
VTUA120	6" - 24"	12.63"	42"	559 lbs.	182,500 ft.-lbs.	247.287 Nm
*Chain assemblies must be ordered separately. See chain guide.						
**Weights do not include chain.						

WARNING! Do Not Exceed Maximum Working Load. Overloading may result in injury or death. Always use a load cell or other calibrated indicating device to monitor the line pull on the tong to avoid overload. Read Safe Practices & Procedures Manual prior to operation. Follow OSHA, NSC, etc. standards, safe practices, and procedures.





PETOL Visetong		
KEY NO	ITEM DESCRIPTION	NO. REQ'D.
1	HANDLE	1
2	CHAIN SCREW NUT	1
3	CHAIN SCREW NUT LEVER	1
4	CHAIN SCREW	1
5	HANDLE PIN	1
6,7	CHAIN SCREW	1
	PIN W/KLI PRINGS	
8	LATCH PIN	1
9	SPECIAL CHAIN ONLY	1
10	CHAIN PIN	as req'd.
11	CHAIN PIN KLIPRING ONLY	as req'd.
12,13	CHAIN HANDLE	1
	PIN W/KLI PRINGS	
14	CHAIN HANDLE	1
15	INSERT	4
16	INSERT KEY	4
17	INSERT KEY SPRING	4
18	JAW	1
19,2	JAW PIN W/KLI PRINGS	1
21	PAWL	1
22,23	PAWL LATCH	1
	RIVET W/KLI PRINGS	
24	LATCH SPRING	1
25	PAWL LATCH	1
	NOTE: PARTS MAY VARY SLIGHTLY AMONG SIZES	