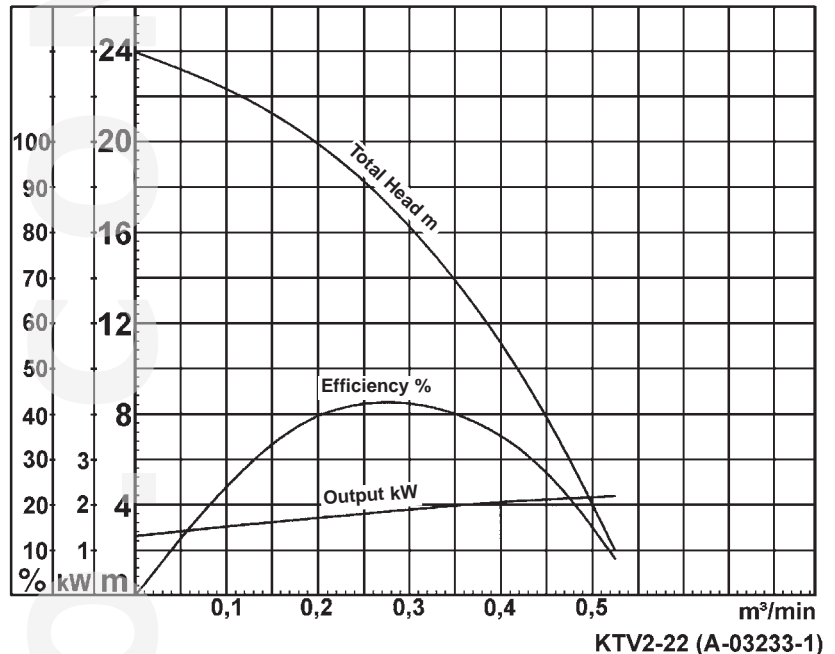
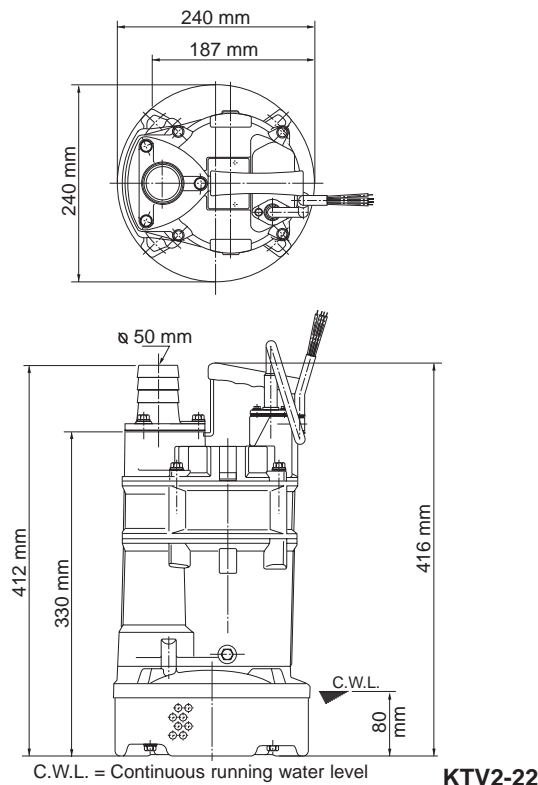


Data Sheet KTV2-22



Classification

Electric submersible pump
 Protection class IP68
 Depth of submersion max. 50m
 Semi-vortex impeller
 Max. solid handling 8,5mm
 Suitable for rain water, ground water, sand carrying water

Electric Motor

Dry-type submersible induction motor,
 Insulation class E, 2 poles, 2870 r.p.m.
 Direct on line start
 Voltage: 400V, 50Hz, 3-phase
 Power input: 2,67kW
 Power output: 2,20kW
 Nominal current: 4,3A
 Start current: 30,0A

Electric Cable

20m H07RN-F 4Cx1,5mm²

Motor Protection

Circle thermal protector
 (snap-action bi-metal device)

Shaft Seal

Double mechanical seal in oil bath
 additional lubrication by oil lifting device
 Primary Seal:
 silicon carbide on silicon carbide
 Secondary Seal:
 silicon carbide on carbon

Bearings

Shielded ball bearings, maintenance-free

Materials

Impeller:	FCD700 (EN-GJS-700-2)
Casing:	Synthetic rubber
Motor frame:	Aluminium alloy casting
Shaft:	SUS403 (EN-X6Cr13)

Discharge Connection

2" (50mm) hose coupling

Weight

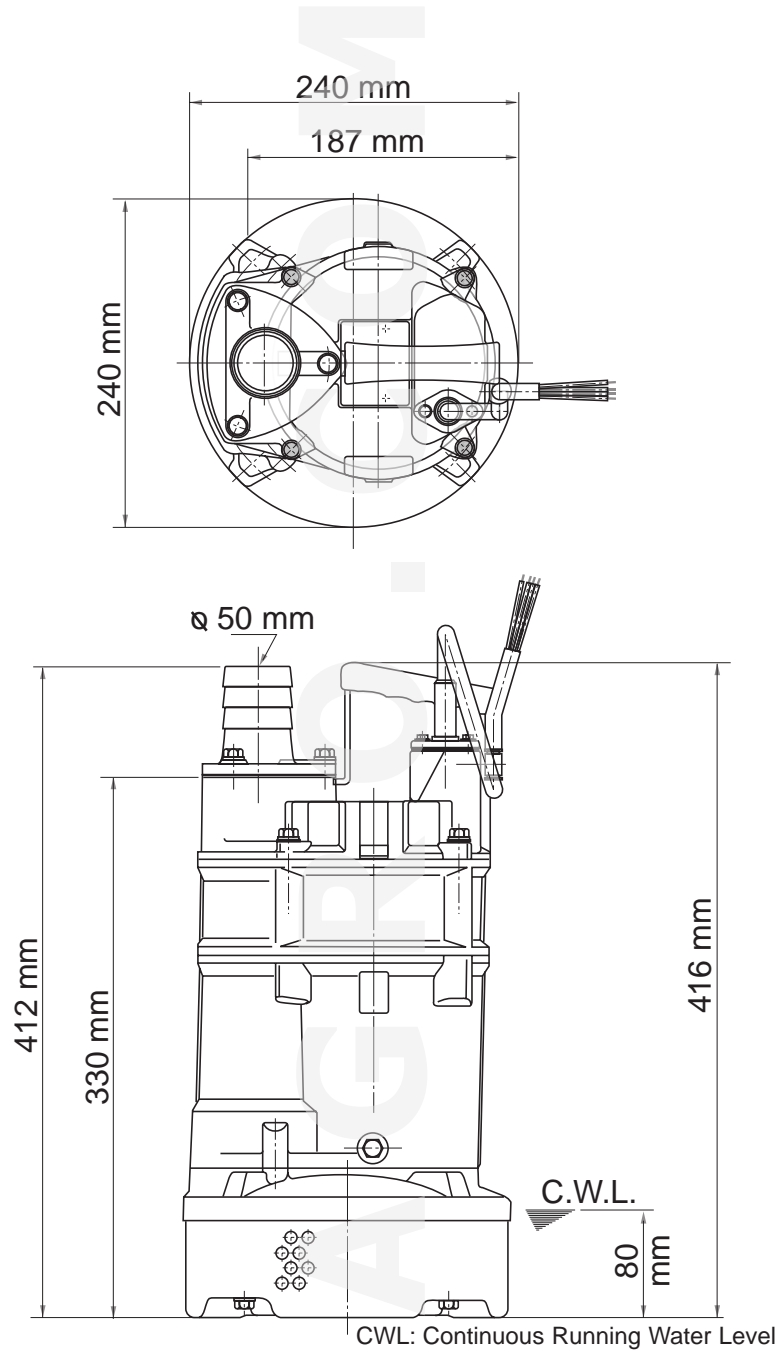
23,0 kg (dry weight of the pump without cable)

Dupagro B.V.

Ooststeeg 102
 6708 AX Wageningen
 The Netherlands

Phone +31 (0) 317 840 197
info@dupagro.com
www.dupagro.com

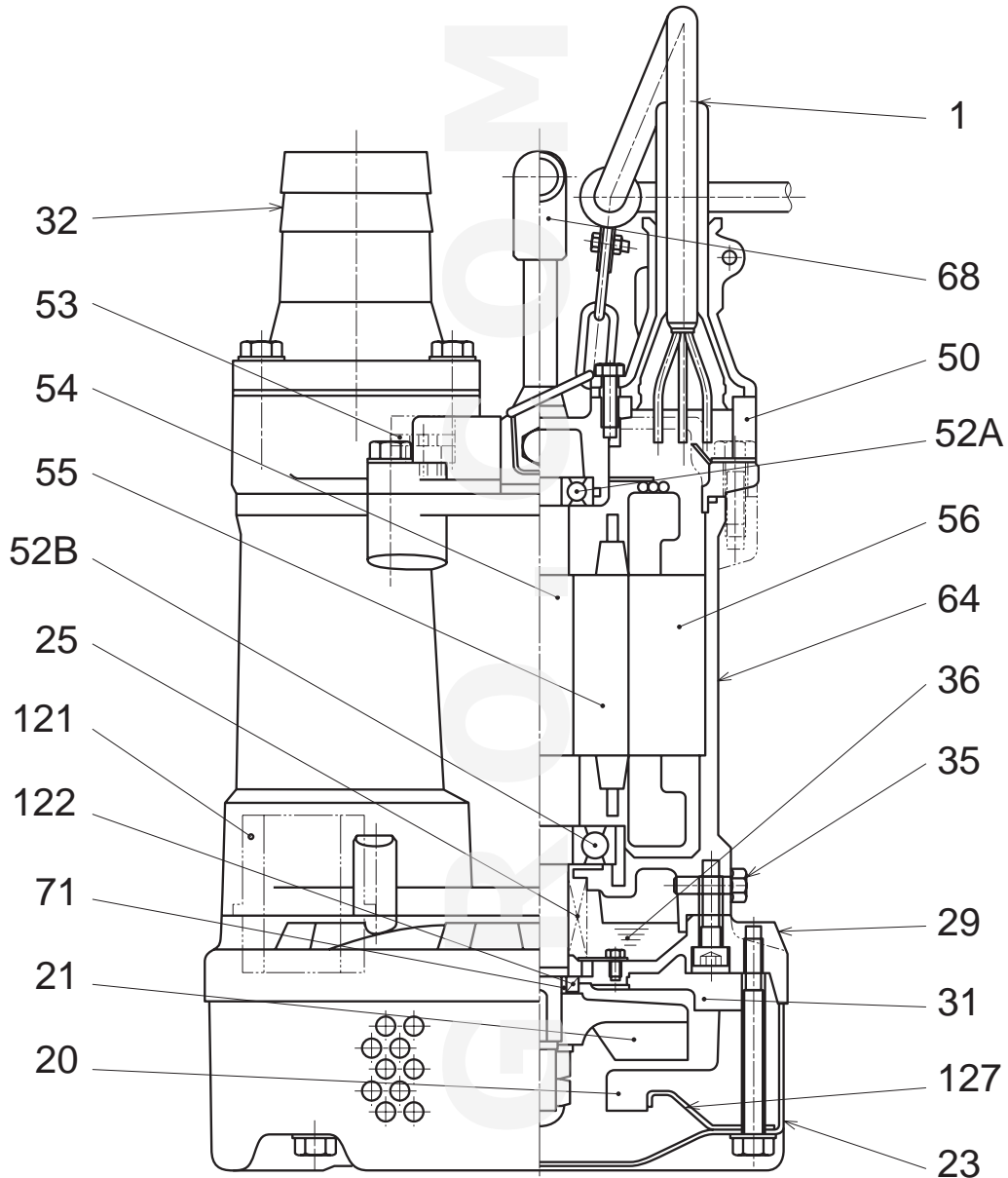
Dimensional Drawing KTV2-22



KTV2-22

Sectional Drawing

KTV2-22



No.	Description	Qty.	Remarks	No.	Description	Qty.	Remarks
1	Cabtyre Cable	1	H07RN-F	54	Shaft	1	SUS403 (EN-X6Cr13)
20	Pump Casing	1	Rubber	55	Rotor	1	
21	Impeller	1	FCD700 (EN-GJS-700-2)	56	Stator	1	
23	Strainer	1	SPCC	64	Motor Frame	1	ADC12
25	Mechanical Seal	1	H-20T	68	Handle	1	SPC + NBR
29	Oil Casing	1	ADC12	71	Shaft Sleeve	1	SUS304 (EN-X5CrNi18-10)
31	Liner	1	Rubber	121	Packing	1	Rubber
32	Hose Coupling	1	ADC12	122	V-Ring	1	NBR
35	Oil Plug	1	SUS304 (EN-X5CrNi18-10)	127	Retainer	1	SPCC
36	Lubricant		Turbine Oil (ISO VG32)				
50	Motor Bracket	1	ADC12				
52A	Upper Bearing	1	6204ZZC3				
52B	Lower Bearing	1	6305ZZC3				
53	Motor Protector	1					

Dupagro B.V.

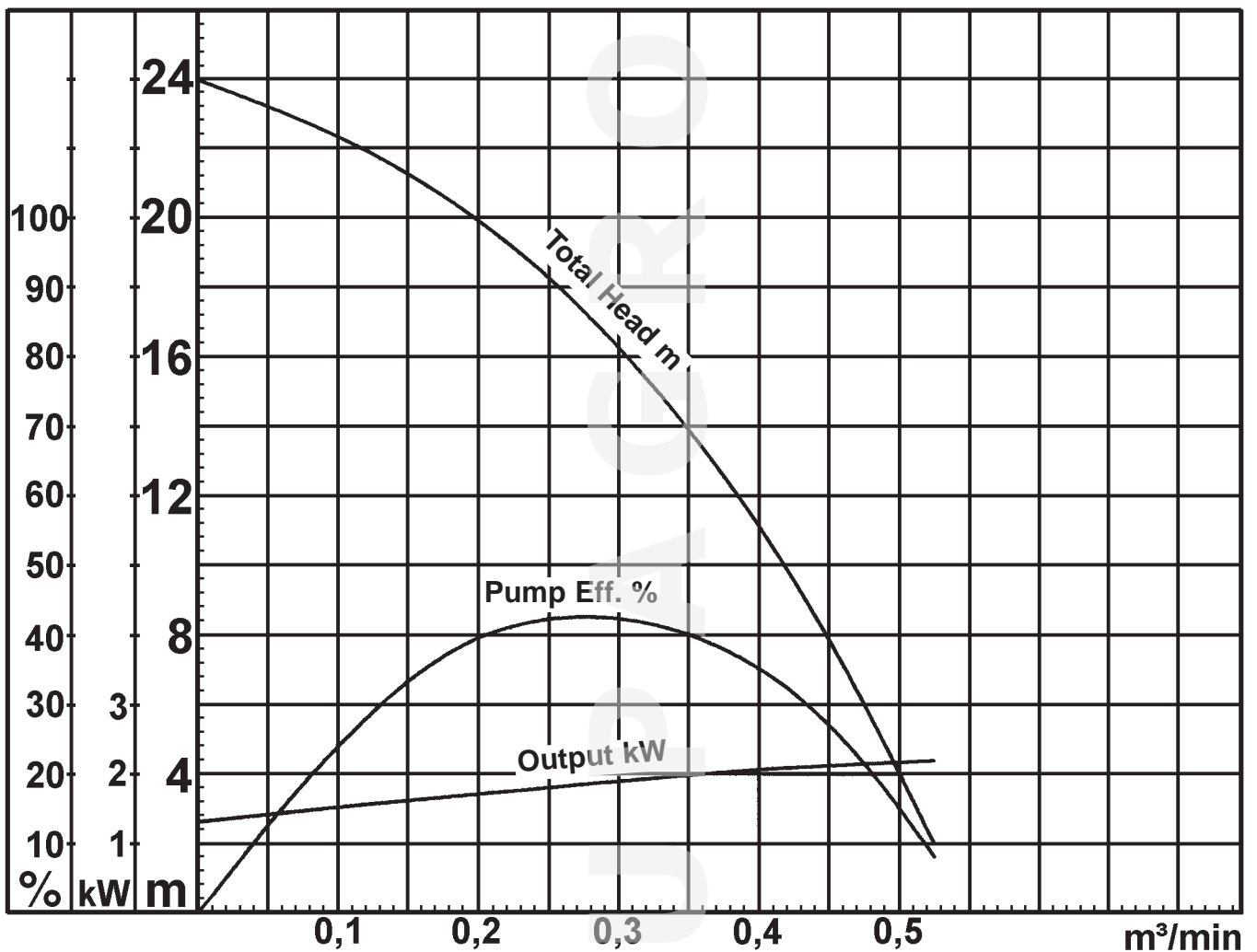
 Ooststeeg 102
 6708 AX Wageningen
 The Netherlands

 Phone +31 (0) 317 840 197
info@dupagro.com
www.dupagro.com

Pump Performance Curve

KTV2-22

Discharge Bore	50 mm
Total Head	20 m
Capacity	0,20 m ³ /min
Motor Output	2,20 kW
Motor Input	2,67 kW
Phase	3
Voltage	400 V
Frequency	50 Hz
Rated Current	4,3 A
Starting Current	30,0 A
Poles	2
Revolution	S.S. 2870 r.p.m.
Starting Method	direct on line
Insulation Class	E


KTV2-22 (A-03233-1)

KTV2-22

2016-10-17 V.18 / 1.10.2015

KTV2-22			
Item	Item no.	Description	Quant.
1	001-TEG-31	Cabtyre Cable Set (20m) H07RN-F4Cx1,5mm ² with gland	1
1	M01-TEG-31	Cabtyre Cable Set (20m) NSSHÖU 4Cx1,5mm ²	1
2	010-126-17	Cable Clip Rubber HS2 NBR	1
3	140-054-19	Hex.Bolt M ⁶ x20 SUS304 (EN X5Cr18-10)	1
4	010-130-14	Cable Clip HK2-4/15 SPC	1
5	068-000-42	068-000-42	1
6	140-427-17	Hex.Bolt (w/Plain Washer) M ⁵ x15 SUS304 (EN X5CrNi18-10)	2
7	003-190-10	Gland SUS316 (EN X5CrNi-Mb17-12-2)	1
8	140-056-11	Hex.Bolt M ⁶ x30 SUS304 (EN X5CrNi18-10) Stainless Steel	4
9	142-210-11	Plain Washer d ₈ .6xd13.4x1t SUS304 (EN X5CrNi18-10) Stainless Steel	4
10	142-127-10	Plain Washer MB SUS304 (EN X5CrNi18-10) Stainless Steel	4
11	122-473-12	O-Ring 150xd3.3 NBR	1
12	009-112-16	Earth Terminal 1.25mm ²	1
13	143-085-34	Pan Screw (w/Spring Washer) M ⁴ x6 C3604 (EN CuZn39Pb3)	1
14	143-138-17	Cross-Recessed Pan Tapping Screw M ⁴ x12 (SWCH)	2
15	053-411-15	Motor Protector 380/400/415V-50HZ KA313-GQXL104 (T)	1
16	058-167-18	Protection Plate KTV2-15/22 Resin	1
17	122-293-16	O-Ring 47xd3.1 NBR	1
18	142-195-19	Wave Washer #6204/6303 SK-5	1
19	052-187-16	Bearing (w/O-ring) AC-6204ZZC3	1
20	056-002-41	Stator 380/400/415V-50Hz	1
21	055-662-19	Rotor w/Bearing	1
22	064-000-84	Motor Frame ADC	1
23	140-056-11	Hex.Bolt M ⁶ x30 SUS304 (EN X5CrNi18-10) Stainless Steel	3
24	142-127-23	Plain Washer MB SPC	3
25	032-356-16	Hose Coupling 50mm(KTV2) ADC	1
25	032-000-24	Hose Coupling BSPT-2 FCD	1
26	121-001-09	Packing KTV2-15/22 NBR	1
27	050-000-45	Motor Bracket ADC	1
28	121-445-12	Packing (Water Way, Upp.) KTV2-15/22 NBR	1
29	145-028-19	Stator Set Pin d ₆ x32 S45C	1
30	147-128-16	Impeller Key 5x5x18.5L SUS403 (EN X6Cr13)	1
31	061-161-12	Bearing Collar d ₂₅ .1xd36x1.6t SPC	1
32	052-108-13	Bearing 6305ZZC3	1
33	121-246-11	Packing (Oil Plug) d10.3xd16x2t PE	1
34	035-000-01	Oil PlugM10x16(B=13) EN X5CrNi18-10	1
35, 36	143-070-23	Pan Screw M ⁵ x6 SWRM	2
35, 36	030-144-13	Oil Lifter H-20(A)(T) Resin	1
35, 36	143-070-10	Pan Screw M ⁵ x6 SWRM	2
35, 36	030-155-17	Seal Stopper H-20(KTV2) SPCC	1
37	122-134-18	O-Ring G-115 NBR	1
38	140-270-13	Hex. Socket Cap Bolt M ⁶ x30 SUS304 (EN X5CrNi18-10) Stainless Steel	4
39	142-127-23	Plain Washer MB SPC	4
40	025-243-17	Mechanical Seal H-20T SiC	1
41	121-001-04	Packing (Water Way, Low.)KTV2-15/22 SBR	1
42	029-000-77	Oil Casing KTV2-15/22 ADC	1
42A	058-000-25	Protection Plate d44xd70x3t SUS304 (EN X5CrNi18-10) Stainless Steel	1
42B	143-166-14	Flat Screw M ⁴ x8 SUS304 (EN X5CrNi18-10) Stainless Steel	1
43	031-000-08	Wear Ring KTV2-15/22 BR+NR	1
44	122-443-13	V-Ring VR-20 NBR	1
45	071-297-19	Shaft Sleeve d16xd20x10l SUS304	1
46	021-F74-18	Impeller (50HZ) 50Hz FCD	1
47	142-129-25	Plain Washer M12 SPC	1
48	141-007-10	Hex.Nut M12 SUS304 (EN X5CrNi18-10)	1
49	141-032-14	Hex.Cap Nut M12 SUS304	1
50	020-B19-18	Pump Casing (New) KTV2-15/22 BR+NR	1
51	127-249-12	Fixing Plate (New) KTV2-15/22 SPCC	1
52	023-432-19	Strainer Stand KT V2-15/22 SPCC	1
53	140-067-15	Hex.Bolt M ⁶ x8 SUS304 (EN X5CrNi18-10) Stainless Steel	4
	173-472-19	Packing & O-Ring Set	1
	##oilVG32	ml Turbine Oil ISO VG32	270

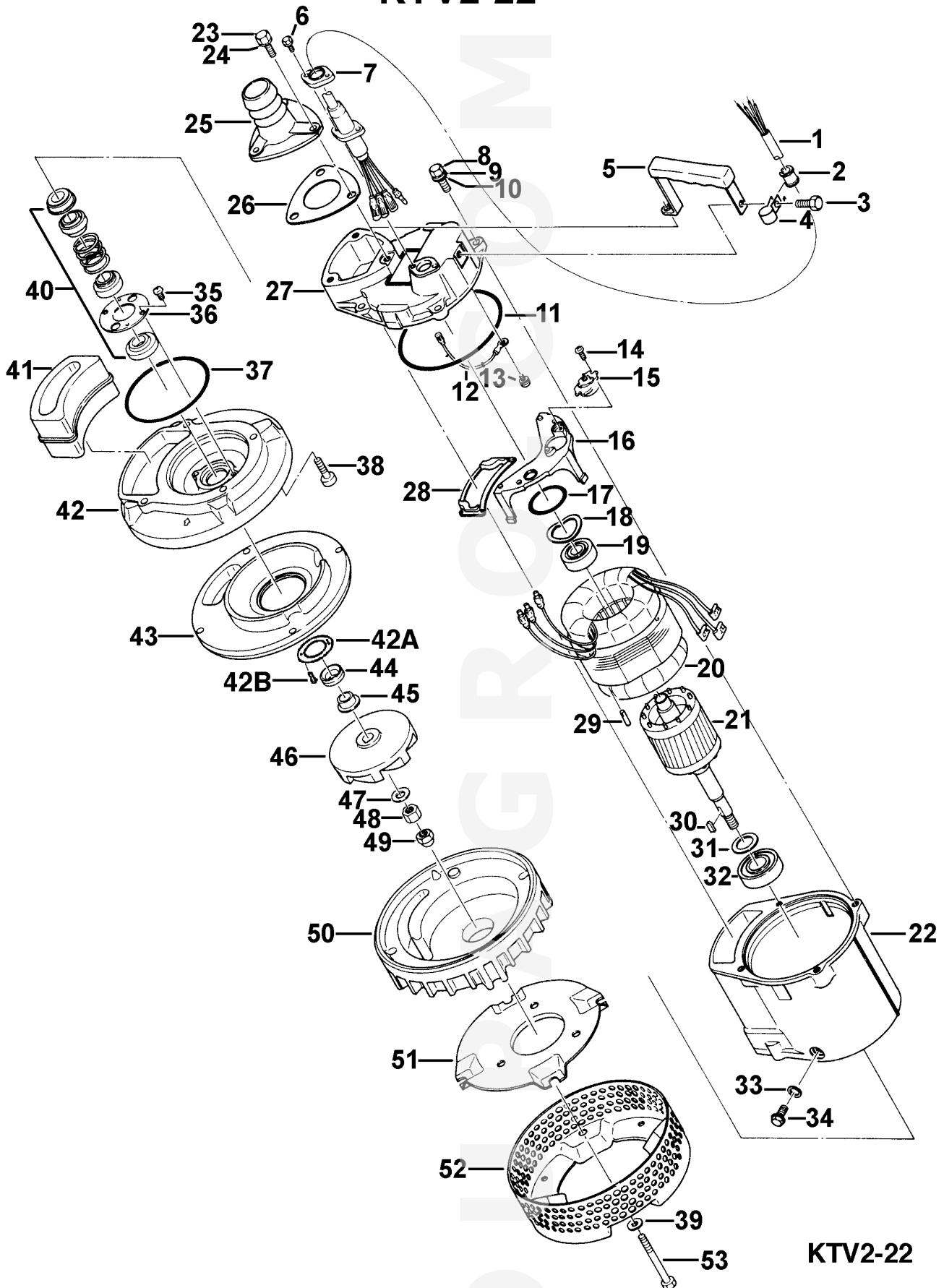
Dupagro B.V.

 Ooststeeg 102
 6708 AX Wageningen
 The Netherlands

Phone +31 (0) 317 840 197

info@dupagro.com
www.dupagro.com

Exploded View KTV2-22



KTV2-22

