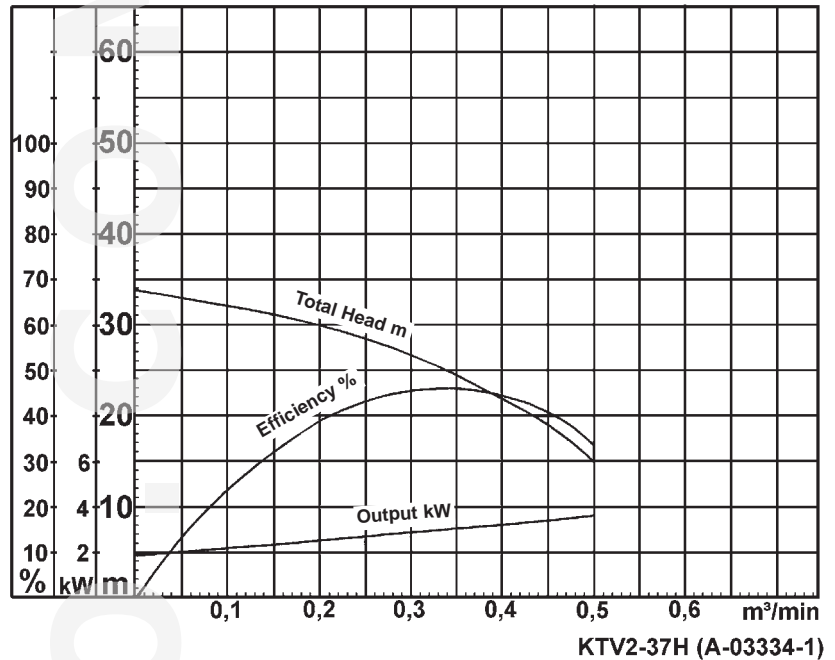
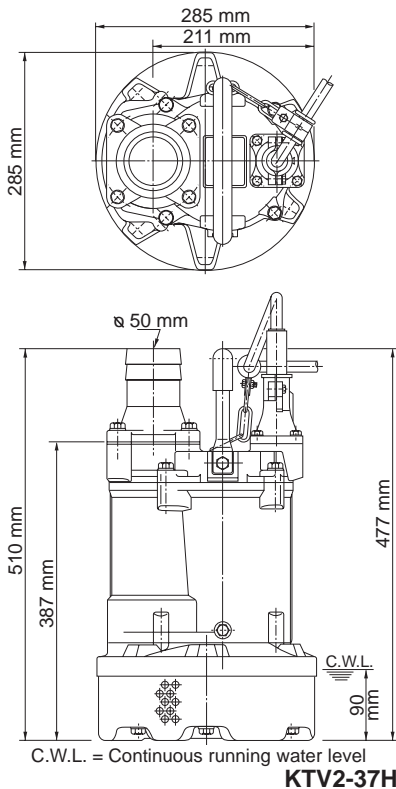


Data Sheet KTV2-37H



Classification

Electric submersible pump
 Protection class IP68
 Depth of submersion max. 50m
 Semi-vortex impeller
 Max. solid handling 8,5mm
 Suitable for rain water, ground water, sand carrying water

Electric Motor

Dry-type submersible induction motor
 Insulation class E, 2 poles, 2875 r.p.m.
 Direct on line start
 Voltage: 400V, 50Hz, 3-phase
 Power input: 4,63kW
 Power output: 3,70kW
 Nominal current: 7,4A
 Start current: 48,0A

Electric Cable

20m H07RN-F 4Cx1,5mm²

Motor Protection

Circle thermal protector
 (snap-action bi-metal device)

Dupagro B.V.

Ooststeeg 102
 6708 AX Wageningen
 The Netherlands

Phone +31 (0) 317 840 197
info@dupagro.com
www.dupagro.com

Shaft Seal

Double mechanical seal in oil bath
 additional lubrication by oil lifting device
 Primary Seal:
 silicon carbide on silicon carbide
 Secondary Seal:
 silicon carbide on silicon carbide

Bearings

Shielded ball bearings, maintenance-free

Materials

Impeller: FCD700 (EN-GJS-700-2)
 Casing: Synthetic rubber
 Motor frame: Aluminium alloy casting
 Shaft: SUS403 (EN-X6Cr13)

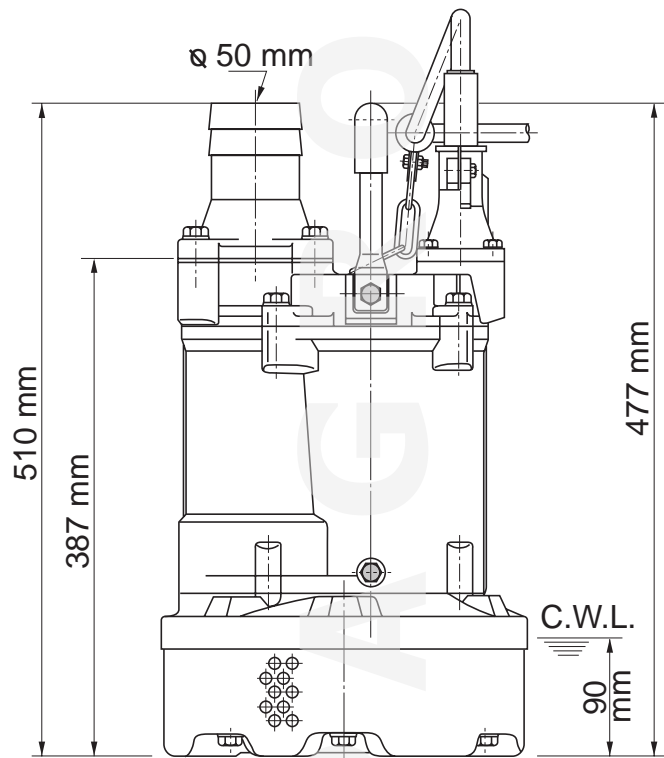
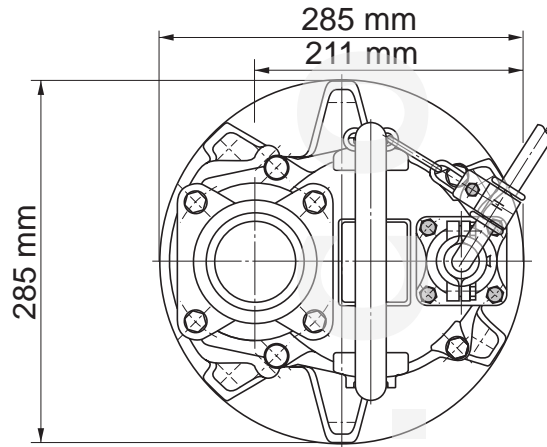
Discharge Connection

2" (50mm) hose coupling

Weight

36 kg (dry weight of the pump without cable)

Dimensional Drawing KTV2-37H

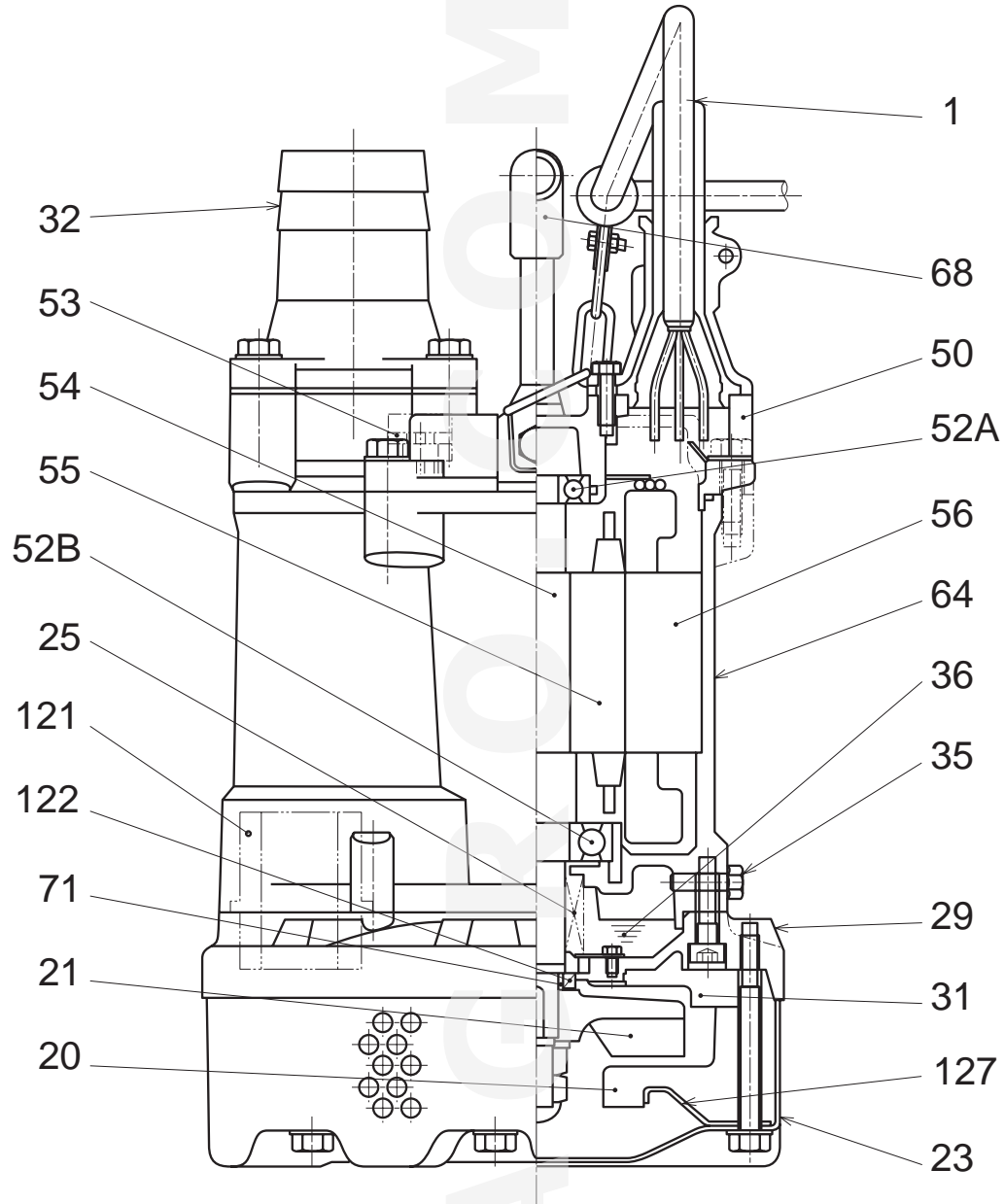


CWL: Continuous Running Water Level

KTV2-37H

Sectional Drawing

KTV2-37H

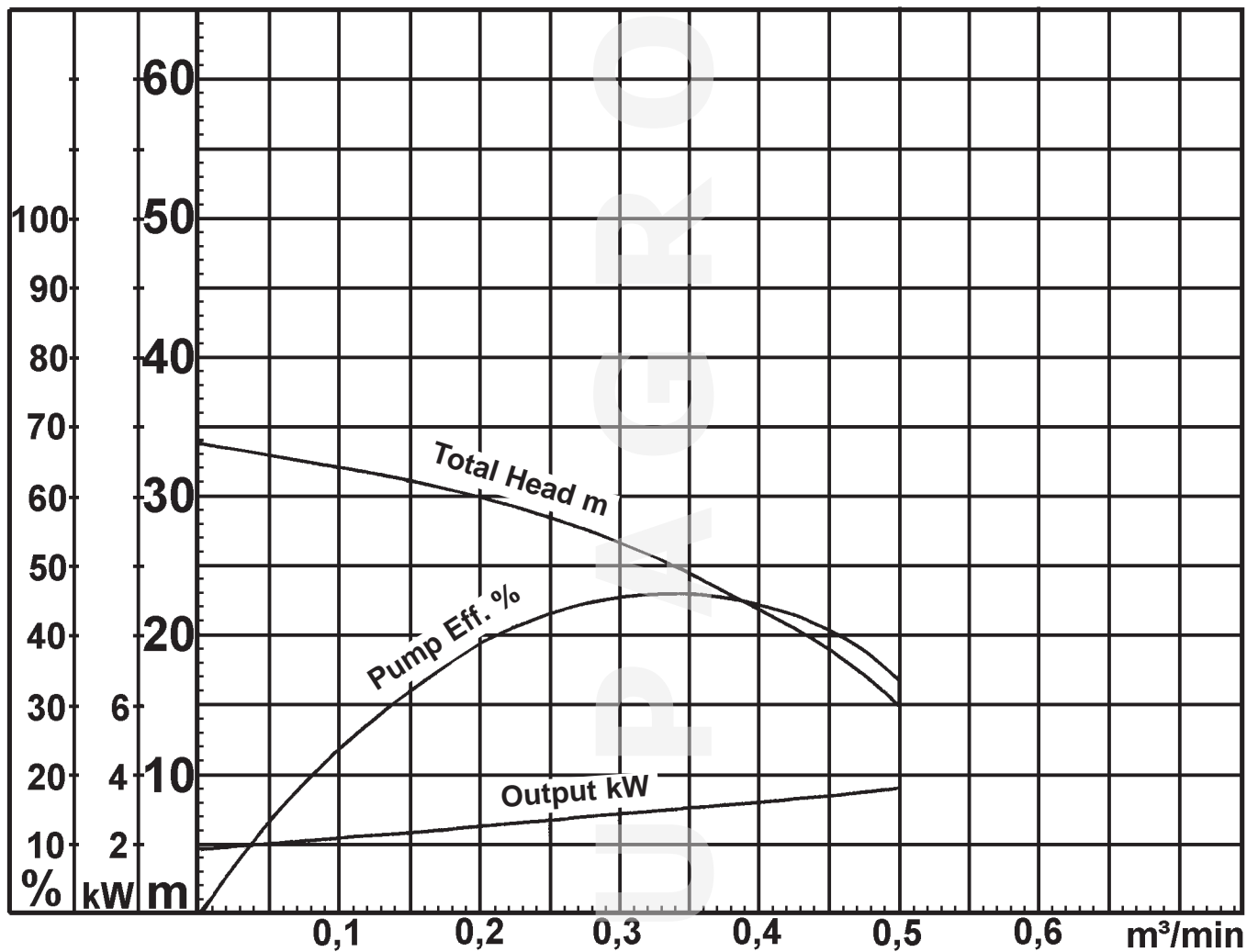


No.	Description	Qty.	Remarks	No.	Description	Qty.	Remarks
1	Cable	1	H07RN-F	54	Shaft	1	SUS403 (EN-X6Cr13)
20	Pump Casing	1	Rubber	55	Rotor	1	
21	Impeller	1	FCD700 (EN-GJS-700-2)	56	Stator	1	
23	Strainer	1	SPCC	64	Motor Frame	1	ADC12
25	Mechanical Seal	1	H-25	68	Handle	1	SPC + NBR
29	Oil Casing	1	ADC12	71	Shaft Sleeve	1	SUS304 (EN-X5CrNi18-10)
31	Liner	1	Rubber	121	Packing	1	Rubber
32	Hose Coupling	1	ADC12	122	V-Ring	1	NBR
35	Oil Plug	1	SUS304 (EN-X5CrNi18-10)	127	Retainer	1	SPCC
36	Lubricant		Turbine Oil (ISO VG32)				
50	Motor Bracket	1	ADC12				
52A	Upper Bearing	1	6204ZZC3				
52B	Lower Bearing	1	6306ZZC3				
53	Motor Protector	1					

Pump Performance Curve

KTV2-37H

Discharge Bore	50 mm
Total Head	30 m
Capacity	0,20 m ³ /min
Motor Output	3,70 kW
Motor Input	4,63 kW
Phase	3
Voltage	400 V
Frequency	50 Hz
Rated Current	7,4 A
Starting Current	48,0 A
Poles	2
Revolution	S.S. 2870 r.p.m.
Starting Method	direct on line
Insulation Class	E


KTV2-37H (A-03334-1)

KTV2-37H

Item	Item no.	Description	Quant.
1	001-TEG-01	Cabtyre Cable Set (20m) H07RN-F4Cx2,5mm ² without stuffing box	1
1	M01-TEG-01	Cabtyre Cable Set (20m) NSSHÖU 4Cx2,5mm ²	1
2	140-033-12	Hex.Bolt M6x16 SUS304 (EN X5CrNi18-10) Stainless Steel	2
3	008-133-10	Mould Cover No.1-9 CR	1
4	140-074-15	Hex.Bolt M10x20 SUS304 (EN X5CrNi18-10) Stainless Steel	2
5	142-164-19	Spring Washer M10 SUS304 (EN X5CrNi18-10)	2
6	068-000-20	Handle KTV2-80 (SPG + NBR)	1
7	095-131-18	Chain d4(3-Link) SS	1
8	140-032-11	Hex.Bolt M6x15 SUS304 (EN X5CrNi18-10) Stainless Steel	1
9	010-120-18	Cable Clip No.2-1 SPC	1
10	141-004-17	Hex.Nut 380/440/460V-60Hz M6 SUS304 (EN X5Cr18-10)	1
11	010-124-15	Cable Clip Rubber No.3 NBR	1
12	003-122-24	Stuffing Box No.1-1(w/Clamp) ADC	1
13	140-418-15	Hex.Bolt M8x25(B=12) SUS304 (EN X5CrNi18-10) Stainless Steel	4
14	142-210-11	Plain Washer d8.6xd13.4x1t SUS304 (EN X5CrNi18-10) Stainless Steel	4
15	032-151-19	Hose Coupling 50mm(GH Type) ADC	1
15	032-436-11	Hose Coupling (for EUR)KTV(BSPT-2) FC	1
16	143-805-34	Pan Screw (w/spring washer /plain washer) M4x6 (SWRM)	1
17	122-298-11	O-Ring 160xd3.8 NBR	1
18	058-000-46	Lead Wire Protection Plate d66xd148x1.6t Bakelite	1
19	122-367-12	O-Ring 52xd3.1 NBR	1
20	142-196-10	Wave Washer 6205/6304 SK5	1
21	052-107-12	Bearing 6304ZZC3	1
22	056-725-14	Stator 380V-50Hz	1
22	056-726-15	Stator 440V/60HZ	1
23	055-667-14	Rotor w/Bearing	1
24	140-076-17	Hex.Bolt M10x30 SUS304 (EN X5Cr18-10)	4
25	142-128-24	Plain Washer M10 Kaltgewaltes Blech	4
26	121-141-15	Packing KRB-3/4 Type NR	1
27	009-177-19	Earth Terminal 2mm2	1
28	050-403-15	Motor Bracket ADC	1
29	140-078-19	Hex.Bolt M10x35 SUS304 (EN X5CrNi18-10)	4
30	142-164-19	Spring Washer M10 SUS304 (EN X5CrNi18-10)	4
31	142-128-11	Plain Washer M10 SUS304 (EN X5CrNi18-10)	4
32	053-438-18	Motor Protector 380/400/415V-50HZ KA313-GCXL103 (H)	1
33	143-136-15	Truss Screw M4x10 SWRM	2
34	145-029-10	Stator Set Pin d8x30 S45C	1
35	147-073-15	Impeller Key 5x5x22l Stainless Steel	1
36	052-109-14	Bearing 6306ZZC3	1
37	121-449-16	Packing (Water Way, Upp.) KTV2-37 NBR	1
38	064-000-80	Motor Frame KTV2-80 (ADC)	1
39	121-246-11	Packing (Oil Plug) d10.3xd16x2t PE	1
40	035-000-01	Oil PlugM10x16(B=13) EN X5CrNi18-10	1
41	122-139-13	O-Ring G-140 NBR	1
42	025-000-07	Mechanical Seal H-25T SiC	1
43, 44	143-070-23	Pan Screw M5x6 SWRM	2
43, 44	030-143-12	Oil Lifter H-25(A)(T) Resin	1
43, 44	143-070-10	Pan Screw M5x6 SWRM	2
43, 44	030-152-14	Seal Stopper H-25(A)(T) SPCC	1
45	121-001-03	Packing (Water Way, Low.)KTV2-37 SBR	1
46	029-000-78	Oil Casing KTV2-37 ADC	1
46A	058-000-26	Protection Plate d49xd85x3t SUS304 (EN X5CrNi18-10) Stainless Steel	1
46B	143-166-14	Flat Screw M4x8 SUS304 (EN X5CrNi18-10) Stainless Steel	1
47	140-288-14	Hex. Socket Cap Bolt M10x35 SUS304 (EN X5CrNi18-10) Stainless Steel	4
48	031-000-09	Wear Ring KTV2-37 BR+NR	1
49	122-444-14	V-Ring VR-25 NBR	1
50	071-298-10	Shaft Sleeve d20xd25x9l SUS304 (EN X5CrNi18-10) Stainless Steel	1
51	021-G21-11	Impeller (50Hz) 50Hz FCD	1
52	142-130-29	Plain Washer M16 SPC	1
53	141-008-11	Hex.Nut M16 SUS304 (EN X5CrNi18-10)	1
54	141-033-15	Hex.Cap Nut M16 SUS304 (EN X5Cr18-10)	1
55	020-901-31	Pump Casing (New) KTV2-37H BR+NR	1
56	127-250-16	Fixing Plate (New) KTV2-37 SPCC	1
57	023-434-11	Strainer Stand KTV2-37 SPCC	1
58	142-128-24	Plain Washer M10 Kaltgewaltes Blech	1
59	140-091-18	Hex.Bolt M10x100 SUS304 (EN X5CrNi18-10) Stainless Steel	1
	173-473-10	Packing & O-Ring Set	1
	##oilVG32	ml Turbine Oil ISO VG32	400

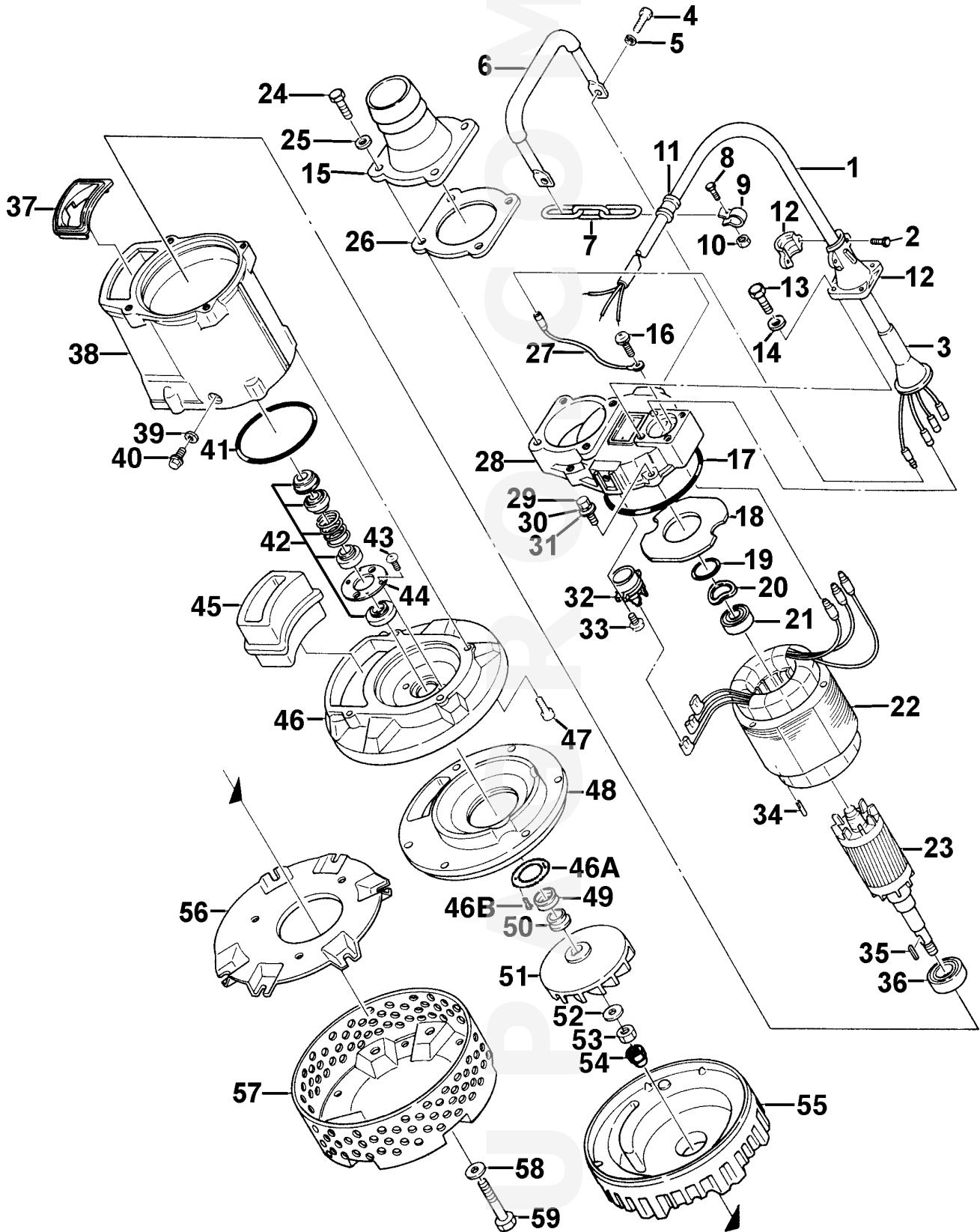
Dupagro B.V.

 Ooststeeg 102
 6708 AX Wageningen
 The Netherlands

Phone +31 (0) 317 840 197

info@dupagro.com
www.dupagro.com

Exploded View KTV2-37H



KTV2-37H

