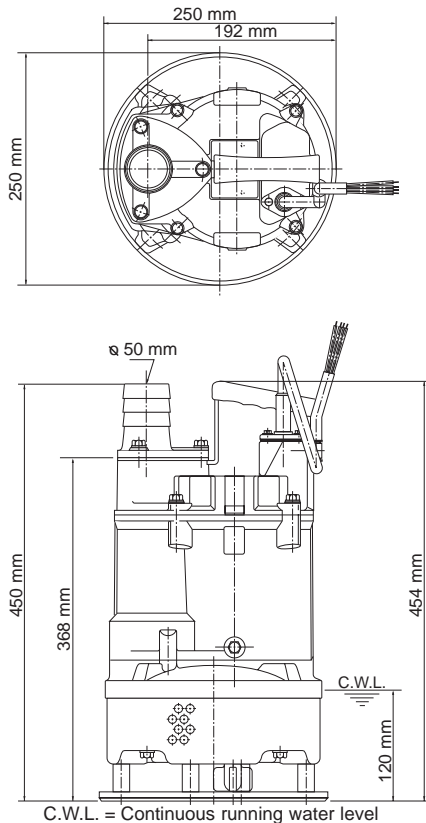
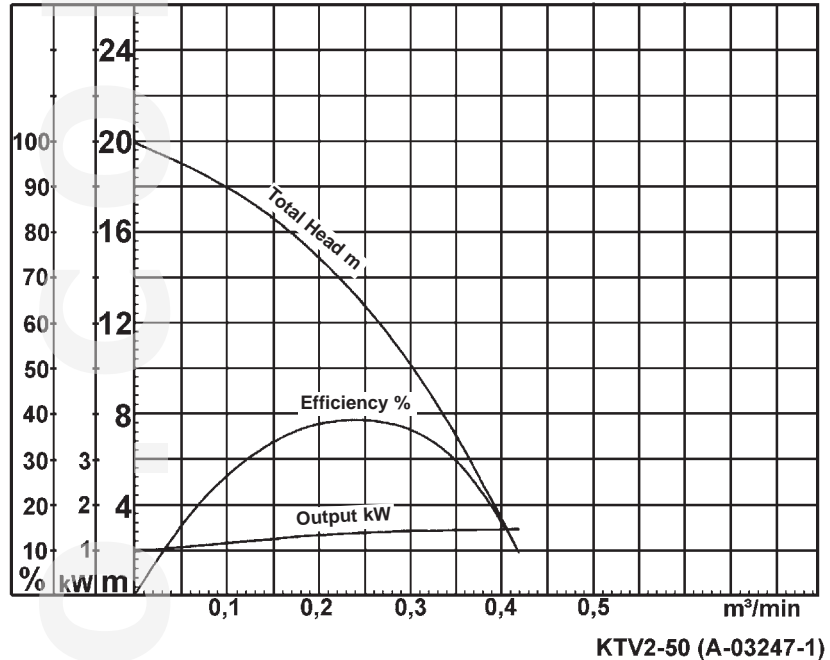


Data Sheet KTV2-50



C.W.L. = Continuous running water level

KTV2-50

KTV2-50 (A-03247-1)

Classification

Electric submersible pump
 Protection class IP68
 Depth of submersion max. 50m
 Semi-vortex impeller with Agitator
 Max. solid handling 10mm
 Suitable for sludge, slurry, liquids containing mud

Electric Motor

Dry-type submersible induction motor,
 Insulation class E, 2 poles, 2870 r.p.m.
 Direct on line start
 Voltage: 400V, 50Hz, 3-phase
 Power input: 2,33kW
 Power output: 2,00kW
 Nominal current: 3,8A
 Start current: 30,0A

Electric Cable

20m H07RN-F 4Cx1,5mm²

Motor Protection

Circle thermal protector
 (snap-action bi-metal device)

Dupagro B.V.

Ooststeeg 102
 6708 AX Wageningen
 The Netherlands

Phone +31 (0) 317 840 197
info@dupagro.com
www.dupagro.com

Shaft Seal

Double mechanical seal in oil bath
 additional lubrication by oil lifting device
 Primary Seal:
 silicon carbide on silicon carbide
 Secondary Seal:
 silicon carbide on carbon

Bearings

Shielded ball bearings, maintenance-free

Materials

| | |
|--------------|-------------------------|
| Impeller: | Chromium iron casting |
| Agitator: | FCD700 (EN-GJS-700-2) |
| Casing: | Synthetic rubber |
| Motor frame: | Aluminium alloy casting |
| Shaft: | SUS403 (EN-X6Cr13) |

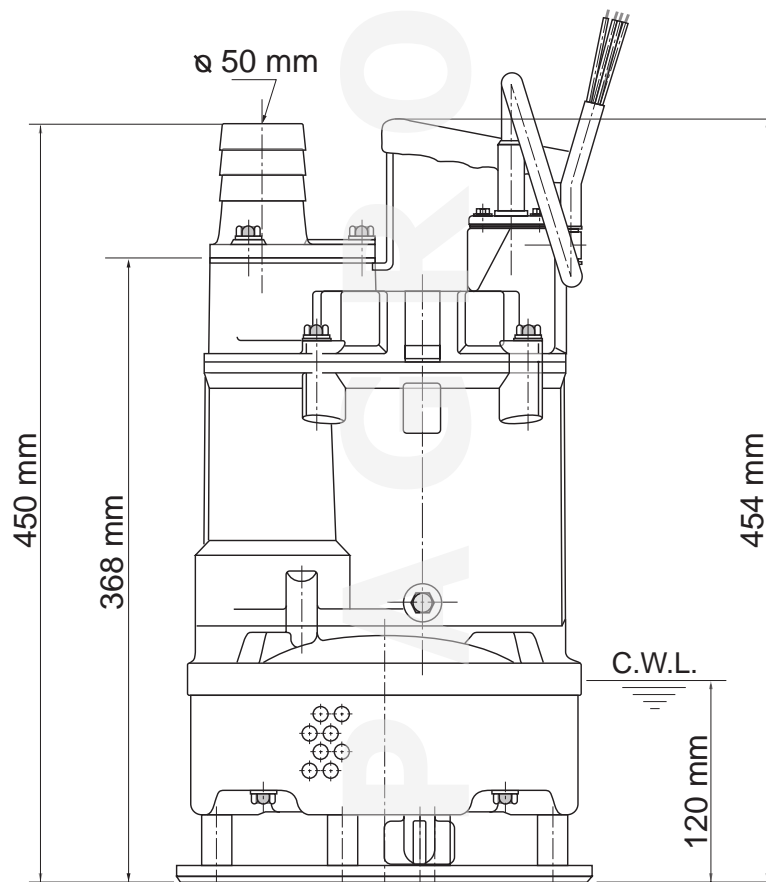
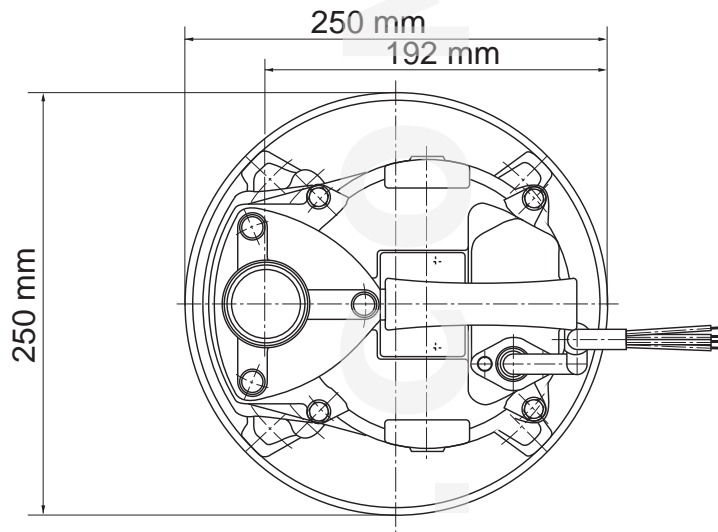
Discharge Connection

2" (50mm) hose coupling

Weight

24,5 kg (dry weight of the pump without cable)

Dimensional Drawing KTV2-50

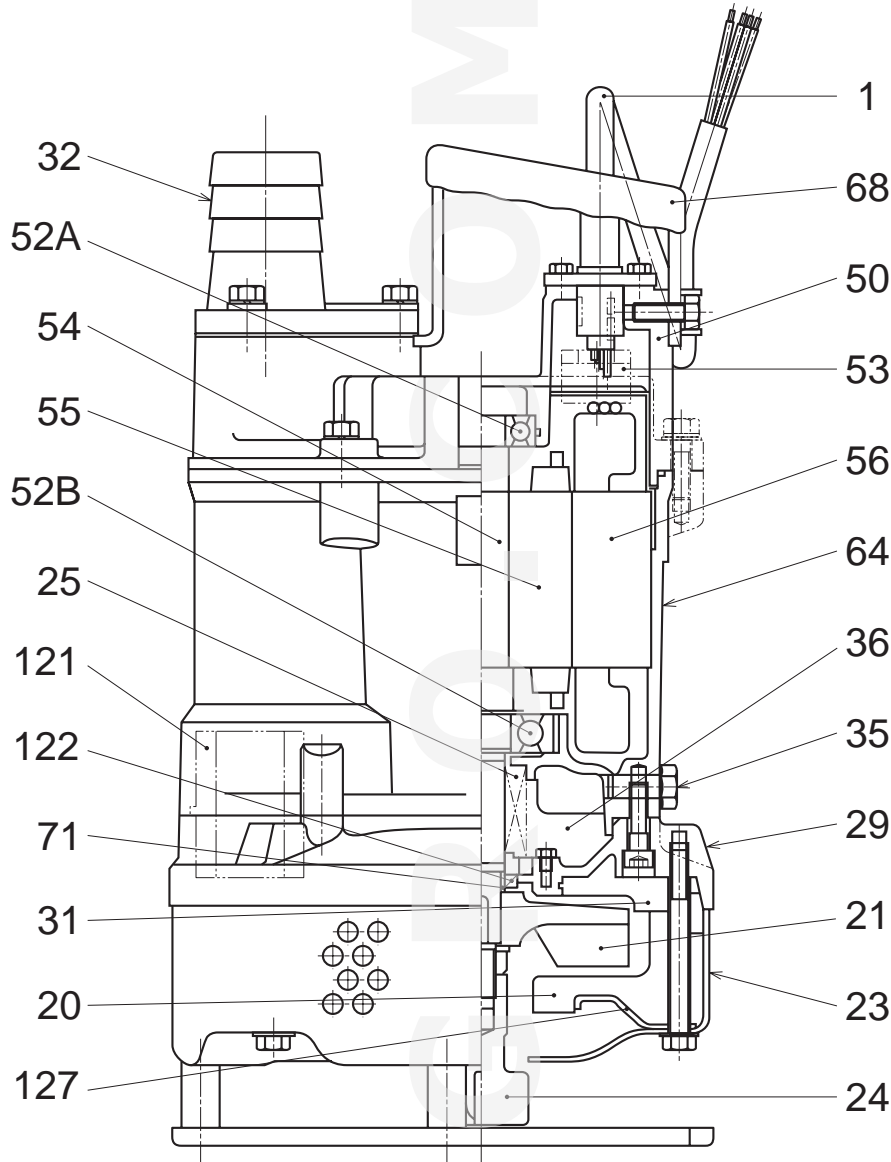


CWL: Continuous Running Water Level

KTV2-50

Sectional Drawing

KTV2-50


KTV2-50

| No. | Description | Qty. | Remarks | No. | Description | Qty. | Remarks |
|-----|-----------------|------|----------------------------|-----|-----------------|------|-------------------------|
| 1 | Cabtyre Cable | 1 | H07RN-F | 53 | Motor Protector | 1 | |
| 20 | Pump Casing | 1 | Rubber | 54 | Shaft | 1 | SUS403 (EN-X6Cr13) |
| 21 | Impeller | 1 | Chromium Iron Casting HICR | 55 | Rotor | 1 | |
| 23 | Strainer Stand | 1 | SPCC | 56 | Stator | 1 | |
| 24 | Agitator | 1 | FCD700 (EN-GJS-700-2) | 64 | Motor Frame | 1 | ADC12 |
| 25 | Mechanical Seal | 1 | H-20T | 68 | Handle | 1 | SPC+NBR |
| 29 | Oil Casing | 1 | ADC12 | 71 | Shaft Sleeve | 1 | SUS304 (EN-X5CrNi18-10) |
| 31 | Wearing Plate | 1 | Rubber | 121 | Duct Sleeve | 1 | Rubber |
| 32 | Hose Coupling | 1 | ADC12 | 122 | V-Ring | 1 | NBR |
| 35 | Oil Plug | 1 | SUS304 (EN-X5CrNi18-10) | 127 | Fittings | 1 | SPCC |
| 36 | Lubricant | | Turbine Oil (ISO VG32) | | | | |
| 50 | Motor Bracket | 1 | ADC12 | | | | |
| 52A | Upper Bearing | 1 | 6204ZZC3 | | | | |
| 52B | Lower Bearing | 1 | 6305ZZC3 | | | | |

Dupagro B.V.

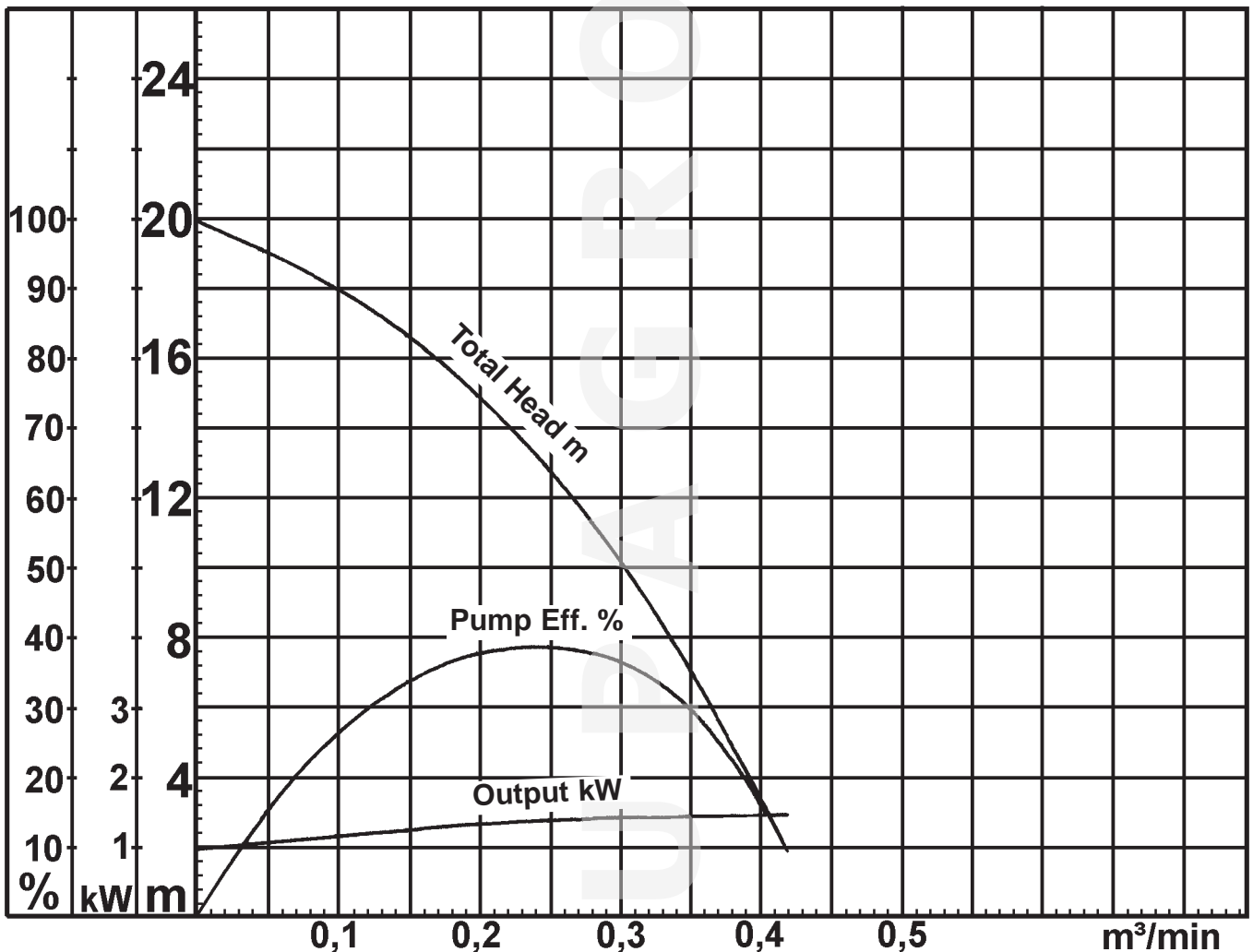
 Ooststeeg 102
 6708 AX Wageningen
 The Netherlands

 Phone +31 (0) 317 840 197
info@dupagro.com
www.dupagro.com

Pump Performance Curve

KTV2-50

| | |
|------------------|--------------------------|
| Discharge Bore | 50 mm |
| Total Head | 12 m |
| Capacity | 0,25 m ³ /min |
| Motor Output | 2,0 kW |
| Motor Input | 2,33 kW |
| Phase | 3 |
| Voltage | 400 V |
| Frequency | 50 Hz |
| Rated Current | 3,8 A |
| Starting Current | 30,0 A |
| Poles | 2 |
| Revolution | S.S. 2870 r.p.m. |
| Starting Method | direct on line |
| Insulation Class | E |


KTV2-50 (A-03247-1)

KTV2-50

2016-10-17 V.18 / 1.10.2015

| KTV2-50 | | | |
|---------|------------|---|--------|
| Item | Item no. | Description | Quant. |
| 1 | 001-TEG-31 | Cabtyre Cable Set (20m) H07RN-F4Cx1,5mm² with gland | 1 |
| 1 | M01-TEG-31 | Cabtyre Cable Set (20m) NSSH0U 4Cx1,5mm² | 1 |
| 2 | 010-126-17 | Cable Clip Rubber HS2 NBR | 1 |
| 3 | 140-054-19 | Hex.Bolt M8x20 SUS304 (EN X5CrNi18-10) | 1 |
| 4 | 010-130-14 | Cable Clip HK2-4/15 SPC | 1 |
| 5 | 068-248-15 | Handle KTV2-15/22 SPC+NBR | 1 |
| 6 | 140-427-17 | Hex.Bolt (w/Plain Washer) M5x15 SUS304 (EN X5CrNi18-10) | 2 |
| 7 | 003-190-10 | Gland SUS316 (EN X5CrNi-Mb17-12-2) | 1 |
| 8 | 140-056-11 | Hex.Bolt M8x30 SUS304 (EN X5CrNi18-10) Stainless Steel | 4 |
| 9 | 142-210-11 | Plain Washer d8.6xd13.4x1t SUS304 (EN X5CrNi18-10) Stainless Steel | 4 |
| 10 | 142-127-10 | Plain Washer M8 SUS304 (EN X5CrNi18-10) Stainless Steel | 4 |
| 11 | 122-473-12 | O-Ring 150xd3.3 NBR | 1 |
| 12 | 009-206-18 | Earth Terminal 1.25mm2x115l | 1 |
| 13 | 143-805-34 | Pan Screw (w/spring washer /plain washer) M4x6 (SWRM) | 1 |
| 14 | 143-138-17 | Cross-Recessed Pan Tapping Screw M4x12 (SWCH) | 2 |
| 15 | 053-411-15 | Motor Protector 380/400/415V-50HZ KA313-GQXL104 (T) | 1 |
| 16 | 058-167-18 | Protection Plate KTV2-15/22 Resin | 1 |
| 17 | 122-293-16 | O-Ring 47xd3.1 NBR | 1 |
| 18 | 142-195-19 | Wave Washer #6204/6303 SK-5 | 1 |
| 19 | 052-187-16 | Bearing (w/O-ring) AC-6204ZZC3 | 1 |
| 20 | 056-724-13 | Stator 440V/60HZ | 1 |
| 21 | 055-662-19 | Rotor w/Bearing | 1 |
| 22 | 064-000-84 | Motor Frame ADC | 1 |
| 23 | 140-056-11 | Hex.Bolt M8x30 SUS304 (EN X5CrNi18-10) Stainless Steel | 3 |
| 24 | 142-127-23 | Plain Washer M8 SPC | 3 |
| 25 | 032-356-16 | Hose Coupling 50mm(KTV2) ADC | 1 |
| 25 | 032-000-24 | Hose Coupling BSPT-2 FCD | 1 |
| 26 | 121-001-09 | Packing KT V2-15/22 NBR | 1 |
| 27 | 050-000-45 | Motor Bracket ADC | 1 |
| 28 | 121-445-12 | Packing (Water Way, Upp.) KTV2-15/22 NBR | 1 |
| 29 | 145-028-19 | Stator Set Pin d6x32 S45C | 1 |
| 30 | 147-128-16 | Impeller Key 5x5x18.5L SUS403 (EN X6Cr13) | 1 |
| 31 | 061-161-12 | Bearing Collar d25.1xd36x1.6t SPC | 1 |
| 32 | 052-108-13 | Bearing 6305ZZC3 | 1 |
| 33 | 121-246-11 | Packing (Oil Plug) d10.3xd16x2t PE | 1 |
| 34 | 035-000-01 | Oil PlugM10x16(B=13) EN X5CrNi18-10 | 1 |
| 35, 36 | 143-070-23 | Pan Screw M5x6 SWRM | 2 |
| 35, 36 | 030-144-13 | Oil Lifter H-20(A)(T) Resin | 1 |
| 35, 36 | 143-070-10 | Pan Screw M5x6 SWRM | 2 |
| 35, 36 | 030-155-17 | Seal Stopper H-20(KTV2) SPCC | 1 |
| 37 | 122-134-18 | O-Ring G-115 NBR | 1 |
| 38 | 140-270-13 | Hex. Socket Cap Bolt M8x30 SUS304 (EN X5CrNi18-10) Stainless Steel | 4 |
| 39 | 142-127-23 | Plain Washer M8 SPC | 41 |
| 40 | 025-243-17 | Mechanical Seal H-20T SiC | 1 |
| 41 | 121-001-04 | Packing (Water Way, Low.)KTV2-15/22 SBR | 1 |
| 42 | 029-000-77 | Oil Casing KTV2-15/22 ADC | 1 |
| 42A | 058-000-25 | Protection Plate d44xd70x3t SUS304 (EN X5CrNi18-10) Stainless Steel | 1 |
| 42B | 143-166-14 | Flat Screw M4x8 SUS304 (EN X5CrNi18-10) Stainless Steel | 1 |
| 43 | 031-000-08 | Wear Ring KTV2-15/22 BR+NR | 1 |
| 44 | 122-443-13 | V-Ring VR-20 NBR | 1 |
| 45 | 071-297-19 | Shaft Sleeve d16xd20x10l SUS304 | 1 |
| 46 | 021-F78-12 | Impeller (50HZ) 50Hz HiCrFC | 1 |
| 47 | 142-129-25 | Plain Washer M12 SPC | 1 |
| 48 | 141-007-10 | Hex.Nut M12 SUS304 (EN X5CrNi18-10) | 1 |
| 49 | 024-153-16 | Stirrer KTV2-50 FCD | 1 |
| 50 | 020-B19-18 | Pump Casing (New) KTV2-15/22 BR+NR | 1 |
| 51 | 127-249-12 | Fixing Plate (New) KTV2-15/22 SPCC | 1 |
| 52 | 023-433-10 | Strainer Stand KTV2-50 SPCC+SGP | 1 |
| 53 | 140-067-15 | Hex.Bolt M8x85 SUS304 (EN X5CrNi18-10) Stainless Steel | 4 |
| | 173-472-19 | Packing & O-Ring Set | 1 |
| | ##oilVG32 | ml Turbine Oil ISO VG32 | 270 |

Dupagro B.V.

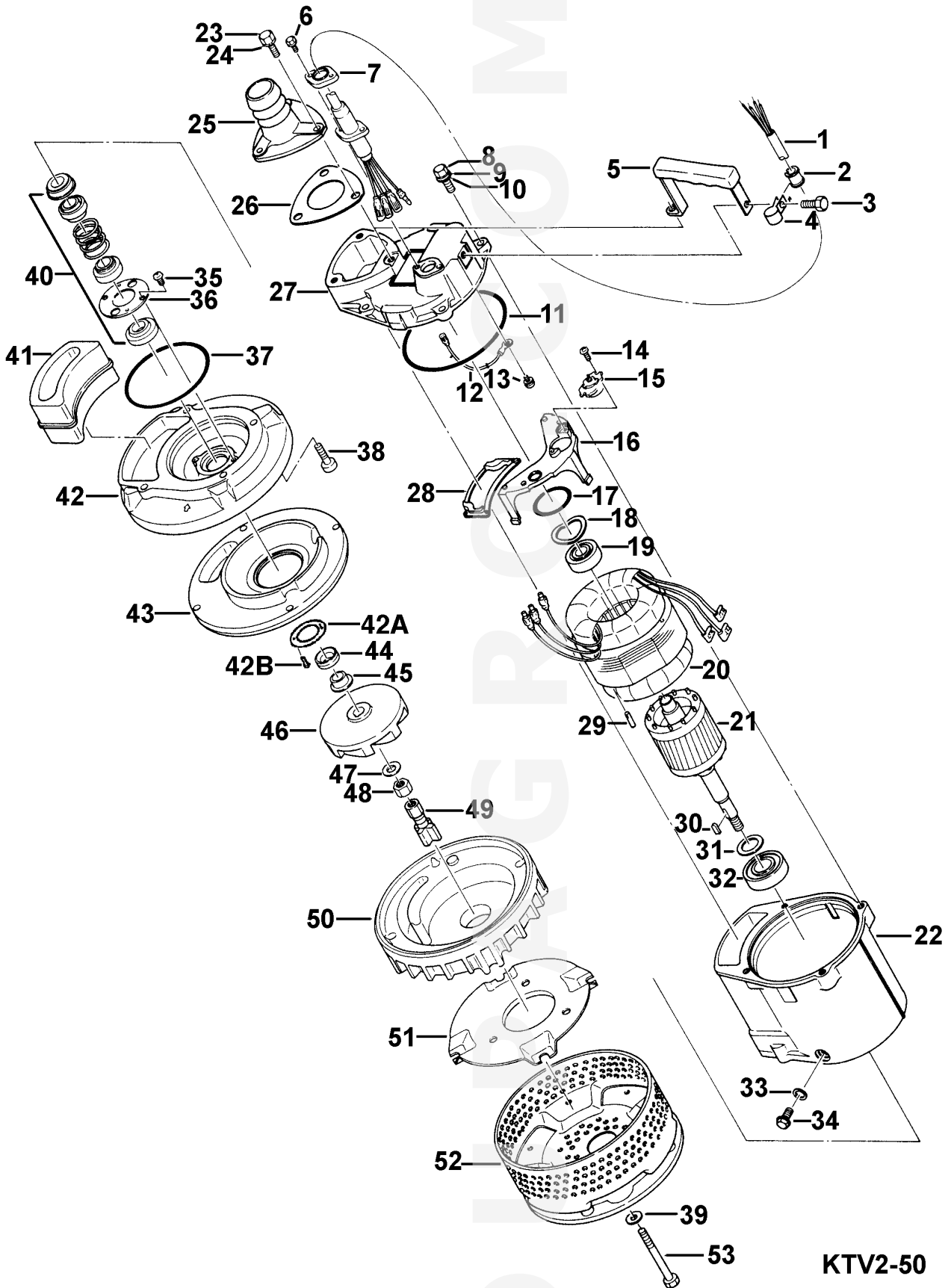
 Ooststeeg 102
 6708 AX Wageningen
 The Netherlands

Phone +31 (0) 317 840 197

info@dupagro.com
www.dupagro.com

5/7

Exploded View KTV2-50



KTV2-50

