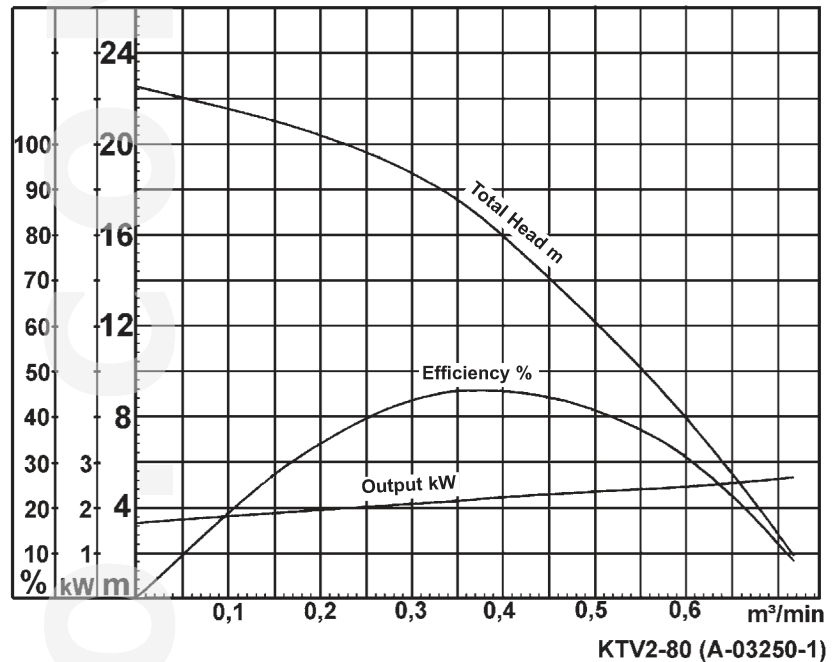
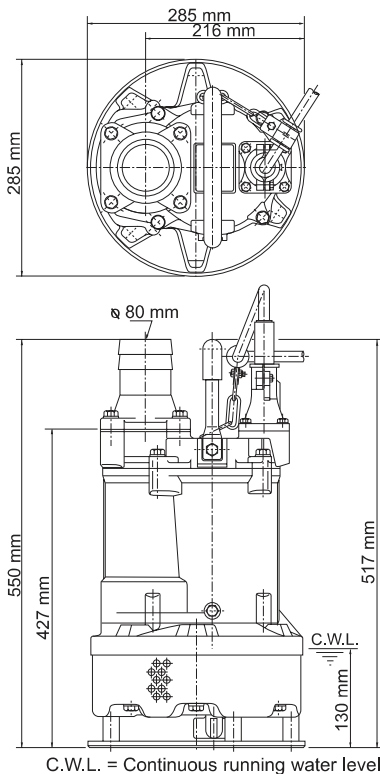


Data Sheet KTV2-80



KTV2-80

Classification

Electric submersible pump
 Protection class IP68
 Depth of submersion max. 50m
 Semi-vortex impeller with Agitator
 Max. solid handling 10mm
 Suitable for sludge, slurry, liquids containing mud

Electric Motor

Dry-type submersible induction motor,
 Insulation class E, 2 poles, 2875 r.p.m.
 Direct on line start
 Voltage: 400V, 50Hz, 3-phase
 Power input: 3,66kW
 Power output: 3,00kW
 Nominal current: 6,1A
 Start current: 48,0A

Electric Cable

20m H07RN-F 4Cx1,5mm²

Motor Protection

Circle thermal protector
 (snap-action bi-metal device)

Shaft Seal

Double mechanical seal in oil bath
 additional lubrication by oil lifting device
 Primary Seal:
 silicon carbide on silicon carbide
 Secondary Seal:
 silicon carbide on carbon

Bearings

Shielded ball bearings, maintenance-free

Materials

Impeller:	Chromium iron casting
Agitator:	FCD700 (EN-GJS-700-2)
Casing:	Synthetic rubber
Motor frame:	Aluminium alloy casting
Shaft:	SUS403 (EN-X6Cr13)

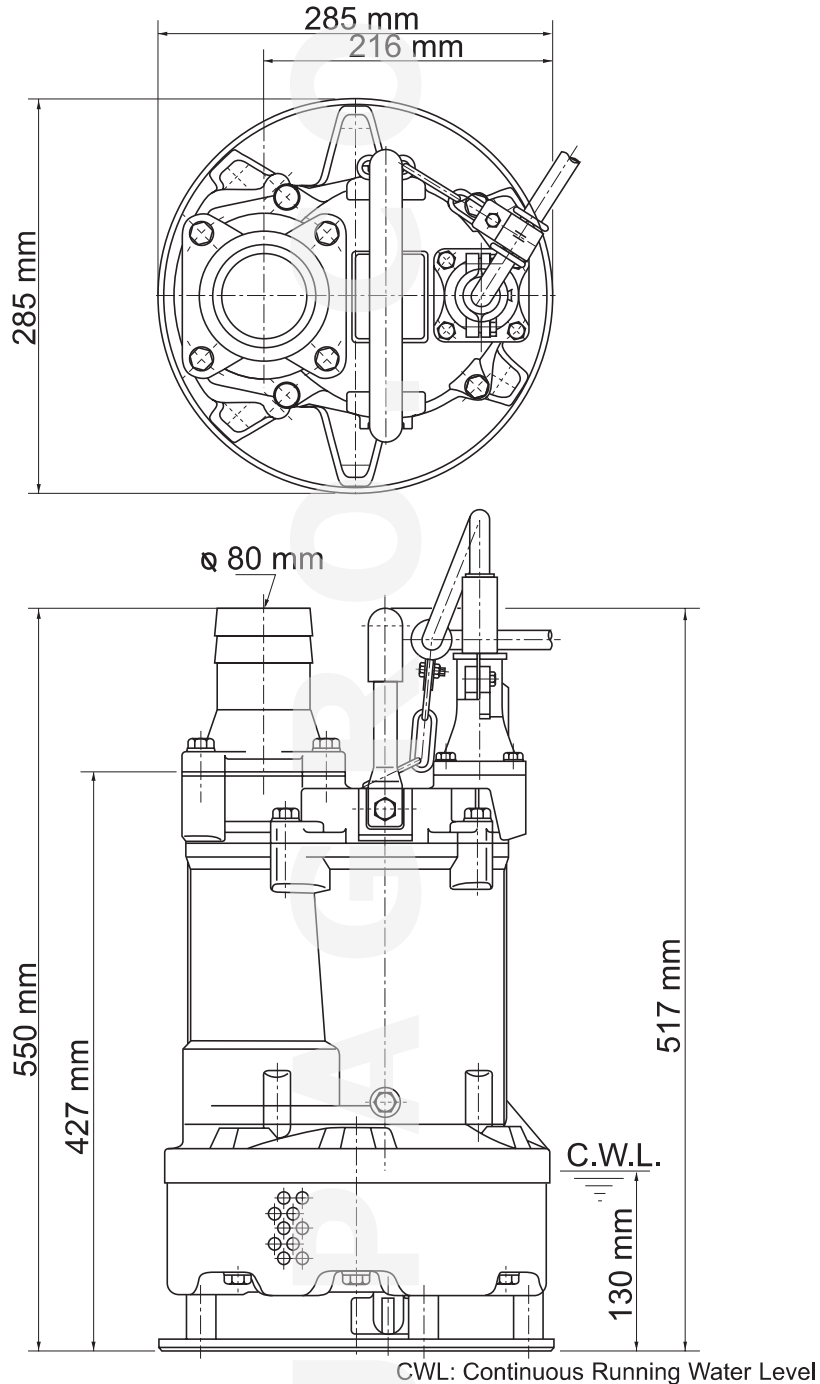
Discharge Connection

3" (80mm) hose coupling

Weight

37,5 kg (dry weight of the pump without cable)

Dimensional Drawing KTV2-80

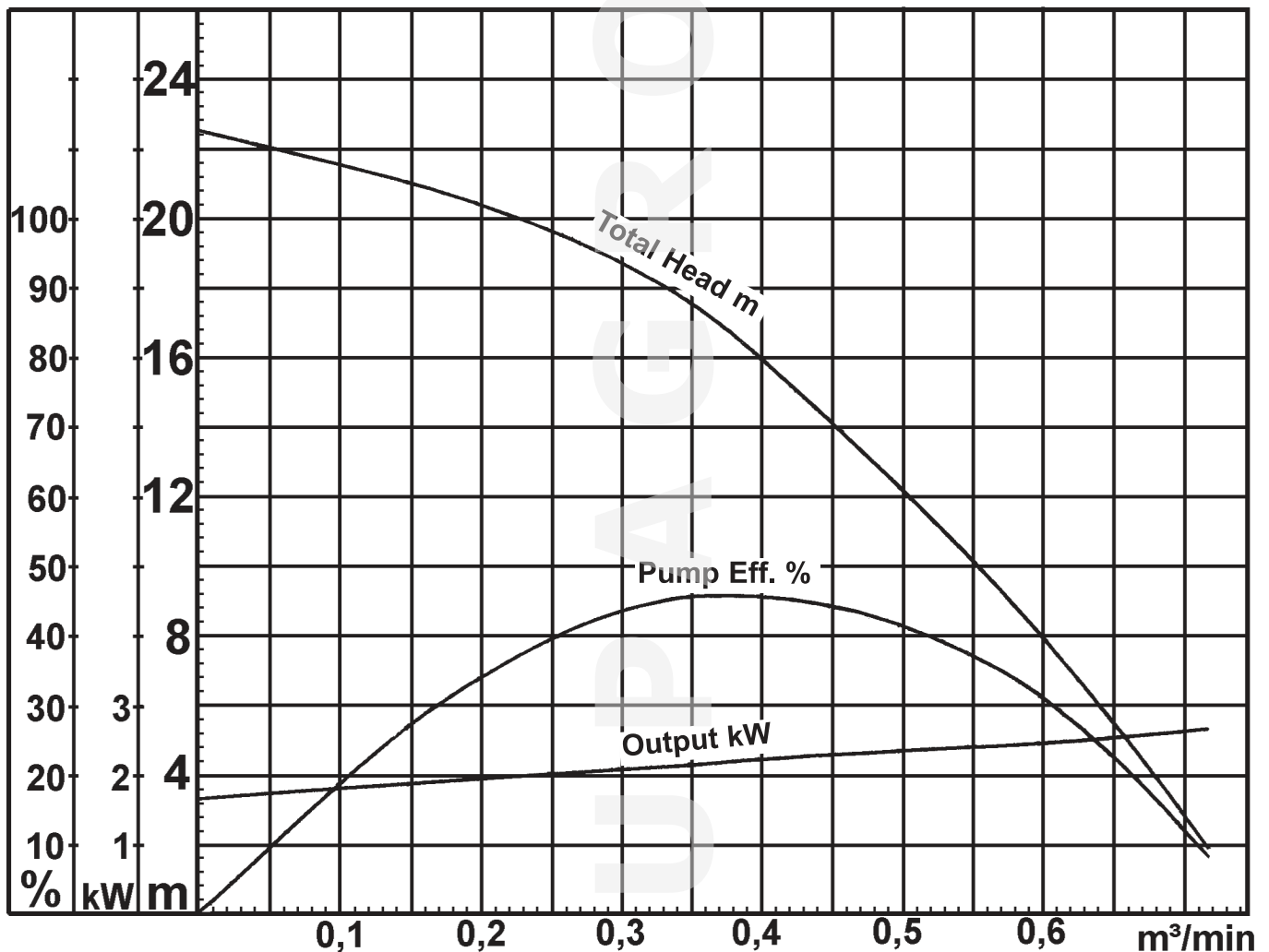


KTV2-80

Pump Performance Curve

KTV2-80

Discharge Bore	80 mm
Total Head	12 m
Capacity	0,5 m ³ /min
Motor Output	3,00 kW
Motor Input	3,66 kW
Phase	3
Voltage	400 V
Frequency	50 Hz
Rated Current	6,1 A
Starting Current	48,0 A
Poles	2
Revolution	S.S. 2875 r.p.m.
Starting Method	direct on line
Insulation Class	E


KTV2-80 (A-03250-1)

KTV2-80

2016-09-19 V.18 / 1.10.2015

KTV2-80			
Item	Item no.	Description	Quant.
1	001-TEG-01	Cabtyre Cable Set (20m) H07RN-F4Cx2.5mm ² without stuffing box	1
1	M01-TEG-01	Cabtyre Cable Set (20m) NSSHÖU 4Cx2.5mm ²	1
2	140-033-12	Hex.Bolt M6x16 SUS304 (EN X5CrNi18-10) Stainless Steel	2
3	008-133-10	Mould Cover No.1-9 CR	1
4	140-074-15	Hex.Bolt M10x20 SUS304 (EN X5CrNi18-10) Stainless Steel	2
5	142-164-19	Spring Washer M10 SUS304 (EN X5CrNi18-10)	2
6	068-000-20	Handle KTV2-80 (SPG + NBR)	1
7	095-131-18	Chain d4(3-Link) SS	1
8	140-032-11	Hex.Bolt M6x15 SUS304 (EN X5CrNi18-10) Stainless Steel	1
9	010-120-18	Cable Clip No.2-1 SPC	1
10	141-004-17	Hex.Nut 380/440/460V-60Hz M6 SUS304 (EN X5Cr18-10)	1
11	010-124-15	Cable Clip Rubber No.3 NBR	1
12	003-122-24	Stuffing Box No.1-1(w/Clamp) ADC	1
13	140-418-15	Hex.Bolt M8x25(B=12) SUS304 (EN X5CrNi18-10) Stainless Steel	4
14	142-210-11	Plain Washer d8.6xd13.4x1t SUS304 (EN X5CrNi18-10) Stainless Steel	4
15	032-437-12	Hose Coupling (for EUR)KTV(BSPT-3) FC	1
15	032-437-12	Hose Coupling (for EUR)KTV(BSPT-3) FC	1
16	143-805-34	Pan Screw (w/spring washer/plain washer) M4x6 (SWRM)	1
17	122-298-11	O-Ring 160xd3.8 NBR	1
18	058-000-46	Lead Wire Protection Plate d66xd148x1.6t Bakelite	1
19	122-367-12	O-Ring 52xd3.1 NBR	1
20	142-196-10	Wave Washer 6205/6304 SK5	1
21	052-107-12	Bearing 6304ZZC3	1
22	056-725-14	Stator 380V-50Hz	1
22	056-726-15	Stator 440V/60HZ	1
23	055-667-14	Rotor w/Bearing	1
24	140-076-17	Hex.Bolt M10x30 SUS304 (EN X5Cr18-10)	4
25	142-128-24	Plain Washer M10 Kaltgewalztes Blech	4
26	121-141-15	Packing KRB-3/4 T type NR	1
27	009-177-19	Earth Terminal 2mm2	1
28	050-403-15	Mtor Bracket ADC	1
29	140-078-19	Hex.Bolt M10x35 SUS304 (EN X5CrNi18-10)	4
30	142-164-19	Spring Washer M10 SUS304 (EN X5CrNi18-10)	4
31	142-128-11	Plain Washer M10 SUS304 (EN X5CrNi18-10)	4
32	053-438-18	Motor Protector 380/400/415V-50HZ KA313-GCXL103 (H)	1
33	143-136-15	Truss Screw M4x10 SWRM	2
34	145-029-10	Stator Set Pin d8x30 S45C	1
35	147-073-15	Impeller Key 5x5x22l Stainless Steel	1
36	052-109-14	Bearing 6306ZZC3	1
37	064-000-80	Mtor Frame KTV2-80 (ADC)	1
38	122-139-13	O-Ring G-140 NBR	1
39, 40	143-070-23	Pan Screw M5x6 SWRM	2
39, 40	030-143-12	Oil Lifter H-25(A)(T) Resin	1
39, 40	143-070-10	Pan Screw M5x6 SWRM	2
39, 40	030-152-14	Seal Stopper H-25(A)(T) SPCC	1
41	029-000-78	Oil Casing KTV2-37 ADC	1
41A	058-000-26	Protection Plate d49xd85x3t SUS304 (EN X5CrNi18-10) Stainless Steel	1
41B	143-166-14	Flat Screw M4x8 SUS304 (EN X5CrNi18-10) Stainless Steel	1
42	140-288-14	Hex. Socket Cap Bolt M10x35 SUS304 (EN X5CrNi18-10) Stainless Steel	4
43	031-000-09	Wear Ring KTV2-37 BR+NR	1
44	122-444-14	V-Ring VR-25 NBR	1
45	071-298-10	Shaft Sleeve d20xd25x9l SUS304 (EN X5CrNi18-10) Stainless Steel	1
46	021-F80-17	Impeller (50Hz) 50Hz HiCrFC	1
47	142-130-29	Plain Washer M16 SPC	1
48	141-008-11	Hex.Nut M16 SUS304 (EN X5CrNi18-10)	1
49	024-154-17	Stirrer KTV2-80 FCD	1
50	020-000-36	Pump Casing (New) KTV2-37 BR+NR	1
51	121-449-16	Packing (Water Way, Upp.) KTV2-37 NBR	1
52	121-246-11	Packing (Oil Plug) d10.3xd16x2t PE	1
53	035-000-01	Oil PlugM10x16(B=13) EN X5CrNi18-10	1
54	025-000-07	Mechanical Seal H-25T SiC	1
55	121-001-03	Packing (Water Way, Low.)KTV2-37 SBR	1
56	127-250-16	Fixing Plate (New) KTV2-37 SPCC	1
57	023-435-12	Strainer Stand KTV2-80 SPCC+SGP	1
58	142-128-24	Plain Washer M10 Kaltgewalztes Blech	6
59	140-091-18	Hex.Bolt M10x100 SUS304 (EN X5CrNi18-10) Stainless Steel	6
	173-473-10	Packing & O-Ring Set	1
	##oilVG32	ml Turbine Oil ISO VG32	400

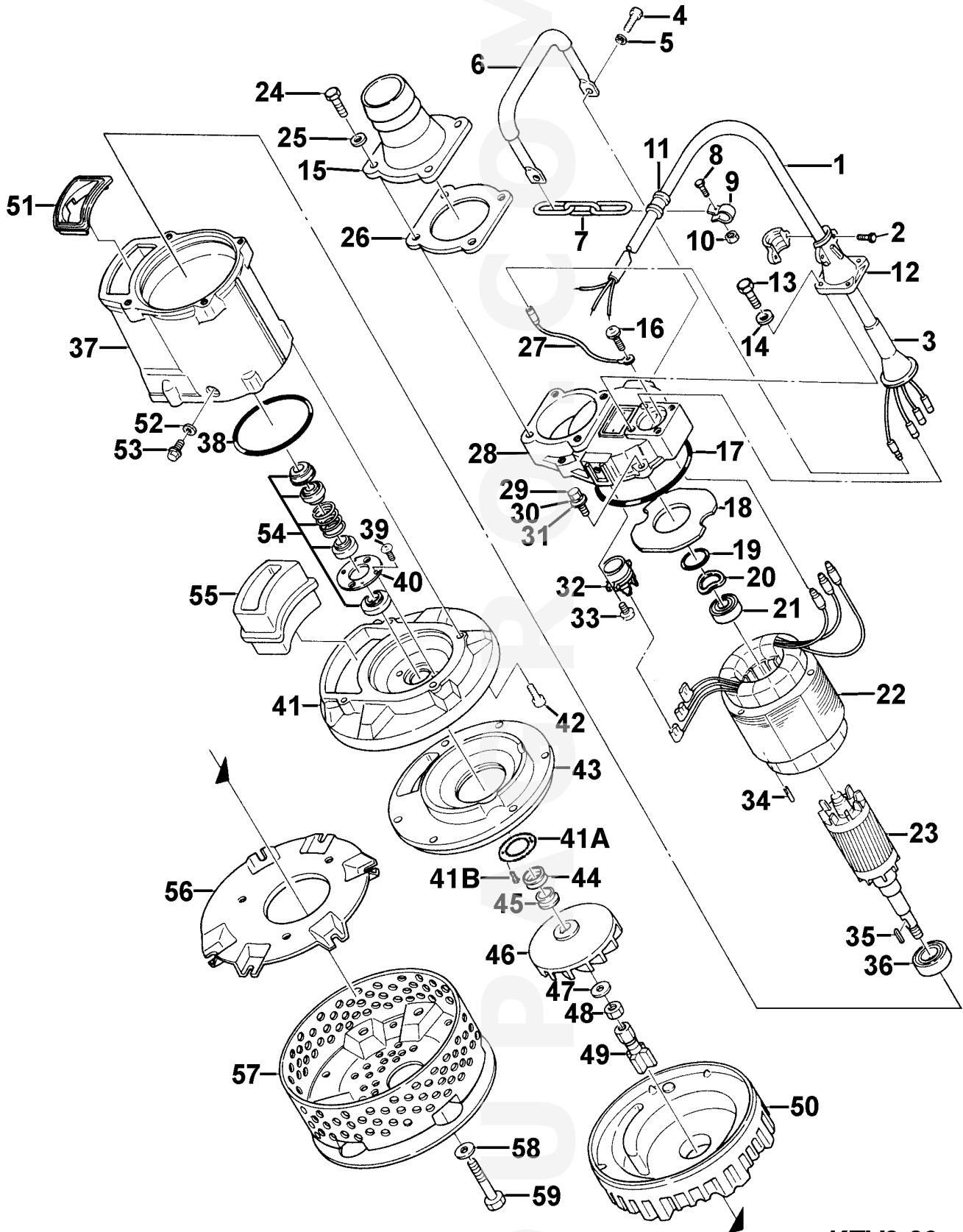
Dupagro B.V.

 Ooststeeg 102
 6708 AX Wageningen
 The Netherlands

Phone +31 (0) 317 840 197

info@dupagro.com
www.dupagro.com

Exploded View KTV2-80



KTV2-80

