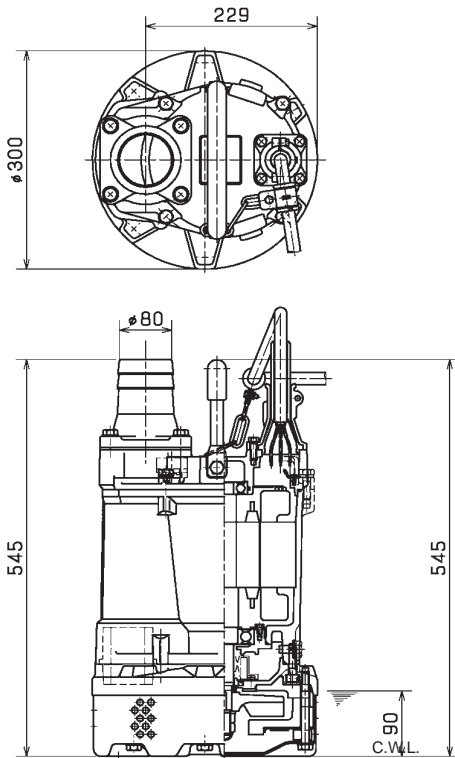
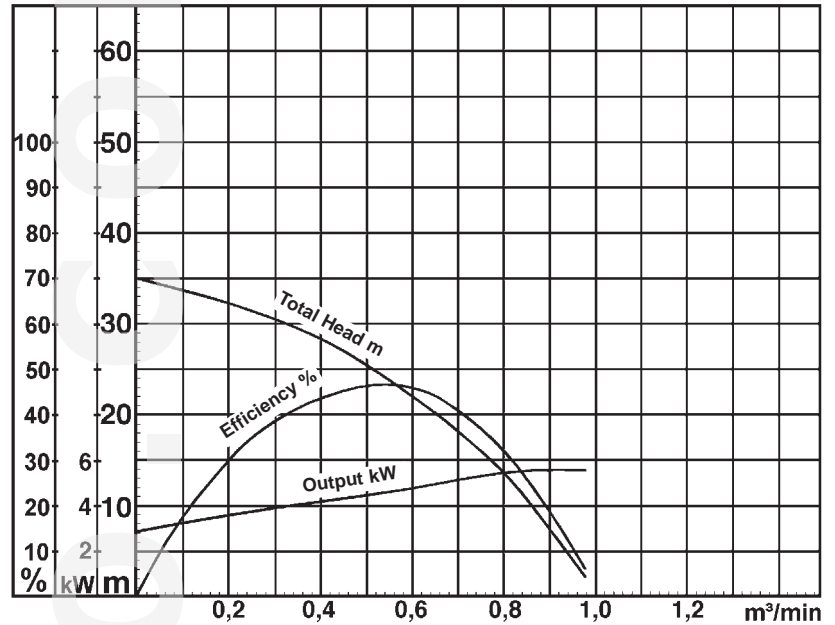


Data Sheet KTV3-55


KTV3-55

 C.W.L. = Continuous running water level
 dimensions in mm

KTV3-55

Classification

Electric submersible pump
 Protection class IP68
 Depth of submersion max. 30m
 Semi-vortex impeller
 Max. solid handling 8,5mm
 Suitable for rain water, ground water, sand carrying water

Electric Motor

Dry-type submersible induction motor
 Insulation class E, 2 poles, 2850 r.p.m.
 Direct on line start
 Voltage: 400V, 50Hz, 3-phase
 Power input: 7,47kW
 Power output: 5,50kW
 Nominal current: 9,7A
 Start current: 65,0A

Electric Cable

20m H07RN-F 4Cx2,5mm²

Motor Protection

Circle thermal protector
 (snap-action bi-metal device)

Shaft Seal

Double mechanical seal in oil bath
 additional lubrication by oil lifting device
 Primary Seal:

silicon carbide on silicon carbide

Secondary Seal:

silicon carbide on silicon carbide

Bearings

Shielded ball bearings, maintenance-free

Materials

| | |
|--------------|-------------------------|
| Impeller: | FCD700 (EN-GJS-700-2) |
| Casing: | BR + Natural Rubber |
| Motor frame: | Aluminium alloy casting |
| Shaft: | SUS403 (EN-X6Cr13) |

Discharge Connection

3" (80mm) BS-Coupling (threaded flange)

Weight

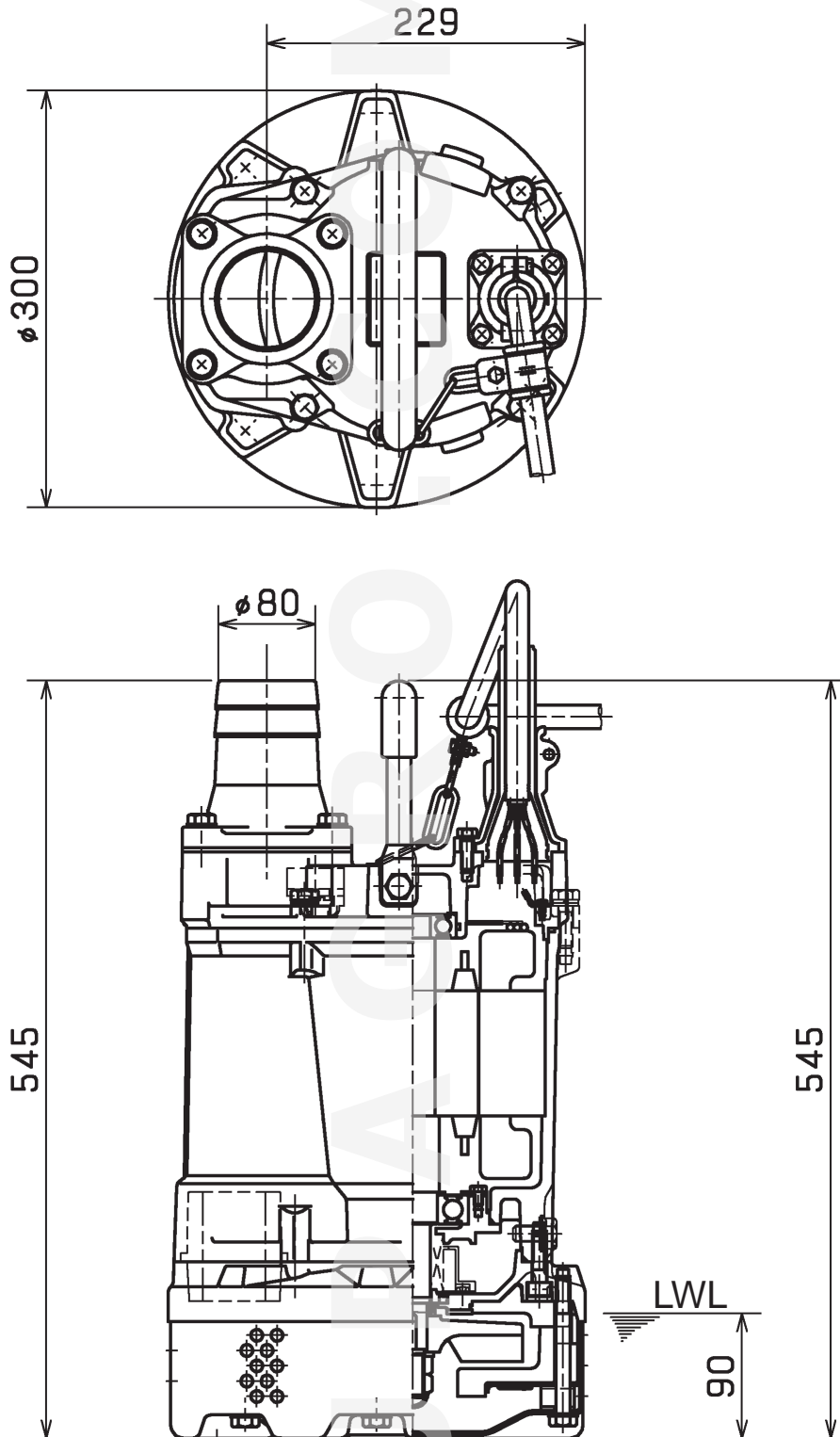
46,5 kg (dry weight of the pump without cable)

Dupagro B.V.

Ooststeeg 102
 6708 AX Wageningen
 The Netherlands

Phone +31 (0) 317 840 197
info@dupagro.com
www.dupagro.com

Dimensional Drawing KTV3-55

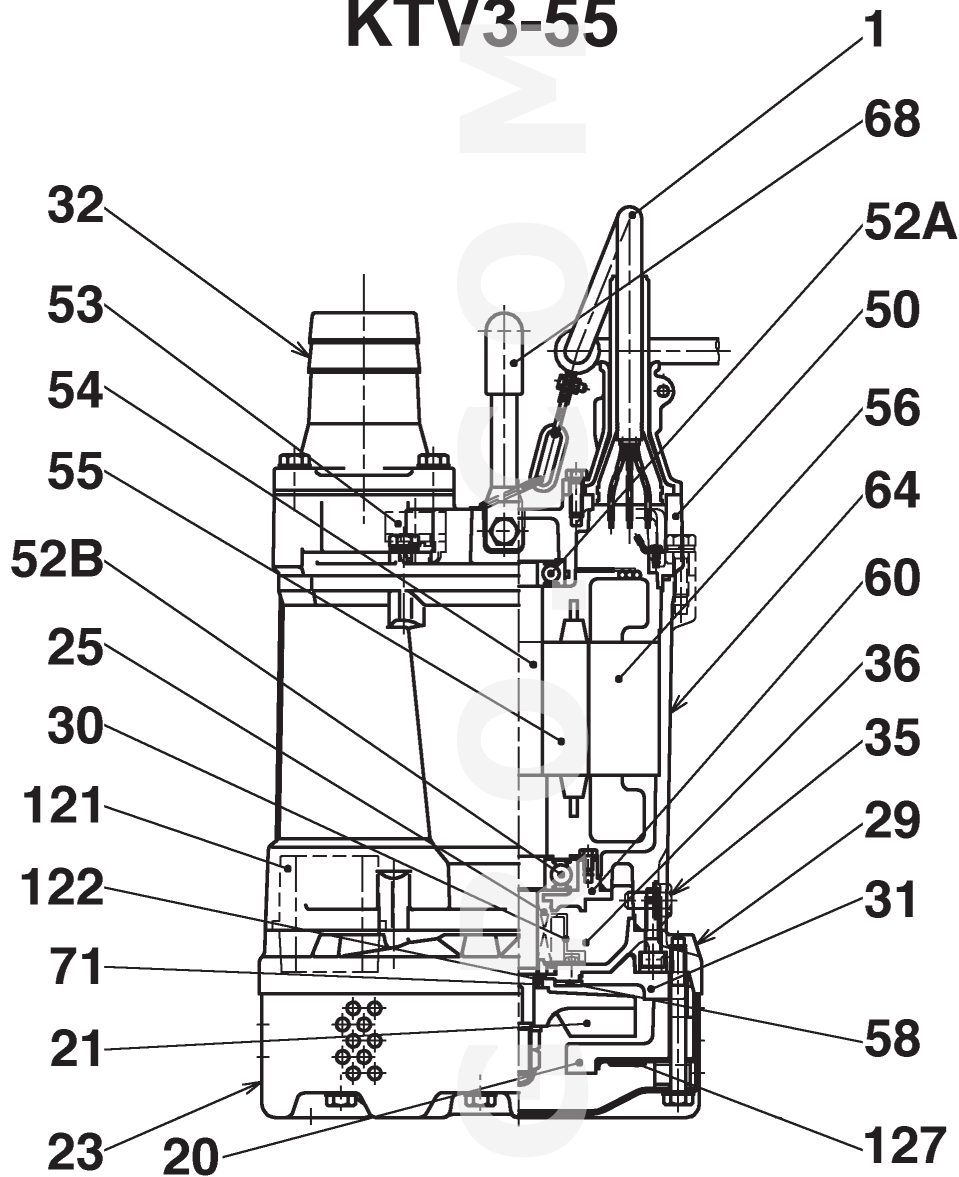


LWL: Lowest Running Water Level

KTV3-55

Sectional Drawing

KTV3-55



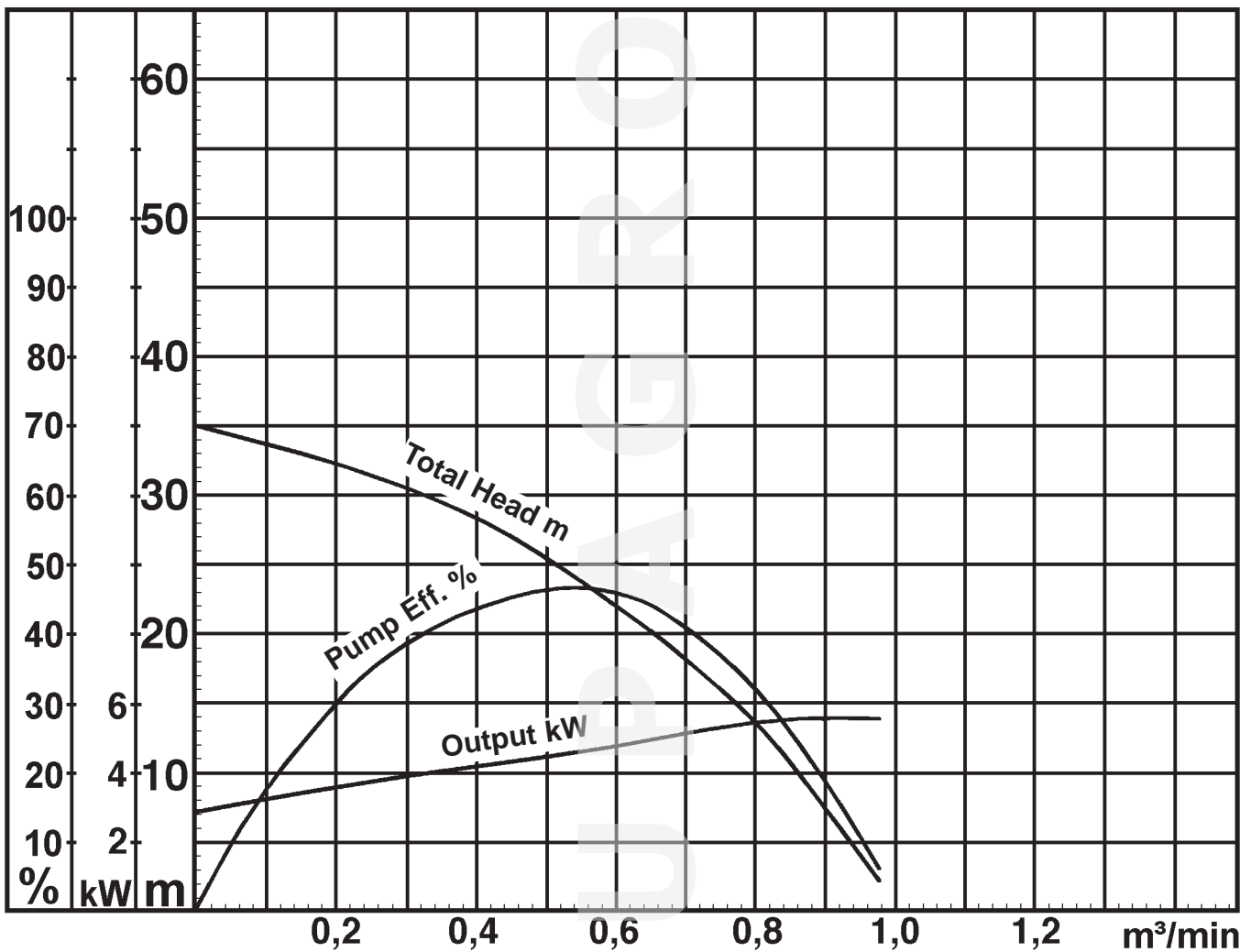
KTV3-55

| No. | Description | Qty. | Remarks | No. | Description | Qty. | Remarks |
|-----|-----------------|------|----------------------------------|-----|------------------|------|-------------------------|
| 1 | Cabtyre Cable | 1 | 20m H07RN-F4Cx2,5mm ² | 53 | Motor Protector | 1 | |
| 20 | Pump Casing | 1 | BR + Natural Rubber | 54 | Shaft | 1 | SUS403 (EN-X6Cr13) |
| 21 | Impeller | 1 | FCD700 (EN-GJS-700-2) | 55 | Rotor | 1 | |
| 23 | Strainer | 1 | SPCC | 56 | Stator | 1 | |
| 25 | Mechanical Seal | 1 | H-25T | 58 | Protection Plate | 1 | SUS304 (EN-X5CrNi18-10) |
| 29 | Oil Casing | 1 | ADC12 | 60 | Bearing Housing | 1 | ADC12 |
| 30 | Oil Lifter | 1 | Plastic | 64 | Motor Frame | 1 | ADC12 |
| 31 | Wearing Plate | 1 | BR | 68 | Handle | 1 | SGP + NBR |
| 32 | Hose Coupling | 1 | ADC12 | 71 | Shaft Sleeve | 1 | SUS304 (EN-X5CrNi18-10) |
| 35 | Oil Plug | 1 | SUS304 (EN-X5CrNi18-10) | 121 | Packing | 1 | SBR |
| 36 | Lubricant | | Turbine Oil (ISO VG32) | 122 | V-Ring | 1 | NBR |
| 50 | Motor Bracket | 1 | ADC12 | 127 | Fittings | 1 | SPCC |
| 52A | Upper Bearing | 1 | 6305ZZC3 | | | | |
| 52B | Lower Bearing | 1 | 6307ZZC3 | | | | |

Pump Performance Curve

KTV3-55

| | |
|------------------|-------------------------|
| Discharge Bore | 80 mm |
| Total Head | 22 m |
| Capacity | 0,6 m ³ /min |
| Motor Output | 5,50 kW |
| Motor Input | 7,47 kW |
| Phase | 3 |
| Voltage | 400 V |
| Frequency | 50 Hz |
| Rated Current | 9,7 A |
| Starting Current | 65,0 A |
| Poles | 2 |
| Revolution | S.S. 2850 r.p.m. |
| Starting Method | direct on line |
| Insulation Class | E |


KTV3-55

KTV3-55

| KTV3-55 | | | Quant. |
|---------|------------|--|--------|
| Item | Item no. | Description | |
| 1 | 001-TEG-01 | Cabtyre Cable Set (20m) H07RN-F4Cx2,5mm ² without stuffing box | 1 |
| 1 | M01-TEG-01 | Cabtyre Cable Set (20m) NSSHÖU 4Cx2,5mm ² | 1 |
| 2 | 010-121-19 | Cable Clip Rubber No.1 NBR | 1 |
| 3 | 140-032-37 | Hex.Bolt M6x15 SWRM | 1 |
| 4 | 010-120-18 | Cable Clip No.2-1 SPC | 1 |
| 5 | 141-004-33 | Hex.Nut M6 SWRM | 1 |
| 6 | 095-131-18 | Chain d4(3-Link) SS | 1 |
| 7 | 140-418-15 | Hex.Bolt M8x25(B=12) SUS304 (EN X5CrNi18-10) Stainless Steel | 4 |
| 8 | 142-210-11 | Plain Washer d8.6xd13.4x1t SUS304 (EN X5CrNi18-10) Stainless Steel | 4 |
| 9 | 140-033-12 | Hex.Bolt M6x16 SUS304 (EN X5CrNi18-10) Stainless Steel | 2 |
| 10 | 003-122-24 | Stuffing Box No.1-1(w/Clamp) ADC | 1 |
| 11 | 008-122-16 | Mould Cover No.1-7 CR | 1 |
| 12 | 009-123-10 | Terminal P-5.5 CU | 4 |
| 13 | 009-101-12 | Terminal(C/W Screw) d12x(d6.6xd6.6)x25l BSBM | 4 |
| 14 | 009-123-10 | Terminal P-5.5 CU | 4 |
| 15 | 002-129-15 | Heat Shrink Tube (Sold per meter) EVA(d14x1t) (V/m) | 1 |
| 16 | 002-132-11 | Heat Shrink Tube (Sold per meter) A4(d17x0.3t) (V/m) | 1 |
| 17 | 143-085-34 | Pan Screw (w/Spring Washer) M4x6 C3604 (EN CuZn39Pb3) | 1 |
| 18 | 009-182-17 | Earth Terminal 2mm2x120l | 1 |
| 19 | 140-076-17 | Hex.Bolt M10x30 SUS304 (EN X5Cr18-10) | 4 |
| 20 | 142-128-24 | Plain Washer M10 Kaltgewaltes Blech | 4 |
| 21 | 032-437-12 | Hose Coupling (for EUR)KTV(BSPT-3) FC | 1 |
| 21 | 032-437-12 | Hose Coupling (for EUR)KTV(BSPT-3) FC | 1 |
| 22 | 121-141-15 | Packing KRB-3/4 Type NR | 1 |
| 23 | 068-000-20 | Handle KT V2-80 (SPG + NBR) | 1 |
| 24 | 142-164-19 | Spring Washer M10 SUS304 (EN X5CrNi18-10) | 2 |
| 25 | 140-074-15 | Hex.Bolt M10x20 SUS304 (EN X5CrNi18-10) Stainless Steel | 2 |
| 26 | 140-078-19 | Hex.Bolt M10x35 SUS304 (EN X5CrNi18-10) | 4 |
| 27 | 142-164-19 | Spring Washer M10 SUS304 (EN X5CrNi18-10) | 4 |
| 28 | 142-128-11 | Plain Washer M10 SUS304 (EN X5CrNi18-10) | 4 |
| 29 | 050-406-18 | Motor Bracket ADC | 1 |
| 30 | 142-197-11 | Wave Washer #6305 SK-5 | 1 |
| 31 | 122-244-12 | O-Ring 61.4xd3.1 NBR | 1 |
| 32 | 052-108-13 | Bearing 6305ZZC3 | 1 |
| 33 | 053-440-13 | Motor Protector 380/400/415V-50HZ KA314-HRXL00 (H) | 1 |
| 34 | 143-136-15 | Truss Screw M4x10 SWRM | 2 |
| 35A | 016-144-19 | Rubber Ring NBR | 1 |
| 35 | 058-170-14 | Lead Wire Protection Plate d80xd170x1.6t Bakelite | 1 |
| 36 | 056- | Stator | 1 |
| 37 | 145-030-14 | Stator Set Pin d8x40 S45C | 1 |
| 38 | 055-679-19 | Rotor w/Bearing | 1 |
| 39 | 147-073-15 | Impeller Key 5x5x22l Stainless Steel | 1 |
| 40 | 122-410-11 | O-Ring 190xd3.8 NBR | 1 |
| 41 | 121-456-16 | Packing (Water Way, Upp.) KTV2-55 NBR | 1 |
| 42 | 064-000-81 | Motor Frame ADC | 1 |
| 43 | 121-247-12 | Packing (Oil Plug) d12.3xd18x2t PE | 1 |
| 44 | 140-000-17 | Hex.Bolt (w/Flange) M12x15(Oil Plug) SUS304 (EN X5CrNi18-10) Stainless Steel | 1 |
| 45 | 061-170-14 | Bearing Collar d35.1xd46x2t SPCC | 1 |
| 46 | 140-029-28 | Hex.Bolt M6x10 SWRM | 3 |
| 47 | 062-219-19 | Bearing Cover d70xd105x2.3t SPCC | 1 |
| 48 | 052-110-18 | Bearing 6307ZZC3 | 1 |
| 49 | 122-133-17 | O-Ring G-110 NBR | 1 |
| 50 | 060-000-85 | Bearing Housing (ADC) | 1 |
| 51 | 142-127-23 | Plain Washer M8 SPC | 4 |
| 52 | 140-054-48 | Hex.Bolt M8x20 SWRM | 4 |
| 53 | 143-070-23 | Pan Screw M5x6 SWRM | 2 |
| 54 | 030-143-12 | Oil Lifter H-25(A)(T) Resin | 1 |
| 55 | 025-000-07 | Mechanical Seal H-25T SiC | 1 |
| 56 | 143-070-10 | Pan Screw M5x6 SWRM | 2 |
| 57 | 030-152-14 | Seal Stopper H-25(A)(T) SPCC | 1 |
| 58 | 121-451-24 | Packing (Water Way, Low.) KTV2-55 SBR | 1 |
| 59 | 122-285-15 | O-Ring 155xd3.1 NBR | 1 |
| 60 | 029-000-79 | Oil Casing KTV2-55 ADC | 1 |
| 61 | 140-288-14 | Hex. Socket Cap Bolt M10x35 SUS304 (EN X5CrNi18-10) Stainless Steel | 4 |
| 62 | 058-000-26 | Protection Plate d49xd85x3t SUS304 (EN X5CrNi18-10) Stainless Steel | 1 |
| 63 | 143-166-14 | Flat Screw M4x8 SUS304 (EN X5CrNi18-10) Stainless Steel | 1 |
| 64 | 031-000-10 | Wear Ring KTV2-55 BR+NR | 2 |
| 65 | 122-444-14 | V-Ring VR-25 NBR | 1 |
| 66 | 071-298-10 | Shaft Sleeve d20xd25x9l SUS304 (EN X5CrNi18-10) Stainless Steel | 1 |
| 67 | 021-G11-18 | Impeller (50Hz) 50Hz FCD | 1 |
| 68 | 142-130-29 | Plain Washer M16 SPC | 1 |
| 69 | 141-008-11 | Hex.Nut M16 SUS304 (EN X5CrNi18-10) | 1 |
| 70 | 141-033-15 | Hex.Cap Nut M16 SUS304 (EN X5Cr18-10) | 1 |
| 71 | 020-891-37 | Pump Casing (New) KTV2-55 BR+NR | 1 |
| 72 | 127-252-18 | Fixing Plate (New) KTV2-55 SPCC | 1 |
| 73 | 023-444-14 | Strainer Stand KTV2-55 SPCC | 1 |
| 74 | 142-128-24 | Plain Washer M10 Kaltgewaltes Blech | 6 |
| 75 | 140-091-18 | Hex.Bolt M10x100 SUS304 (EN X5CrNi18-10) Stainless Steel | 6 |
| | 173-492-15 | Packing & O-Ring Set | 1 |
| | ##oilVG32 | ml Turbine Oil ISO VG32 | 680 |

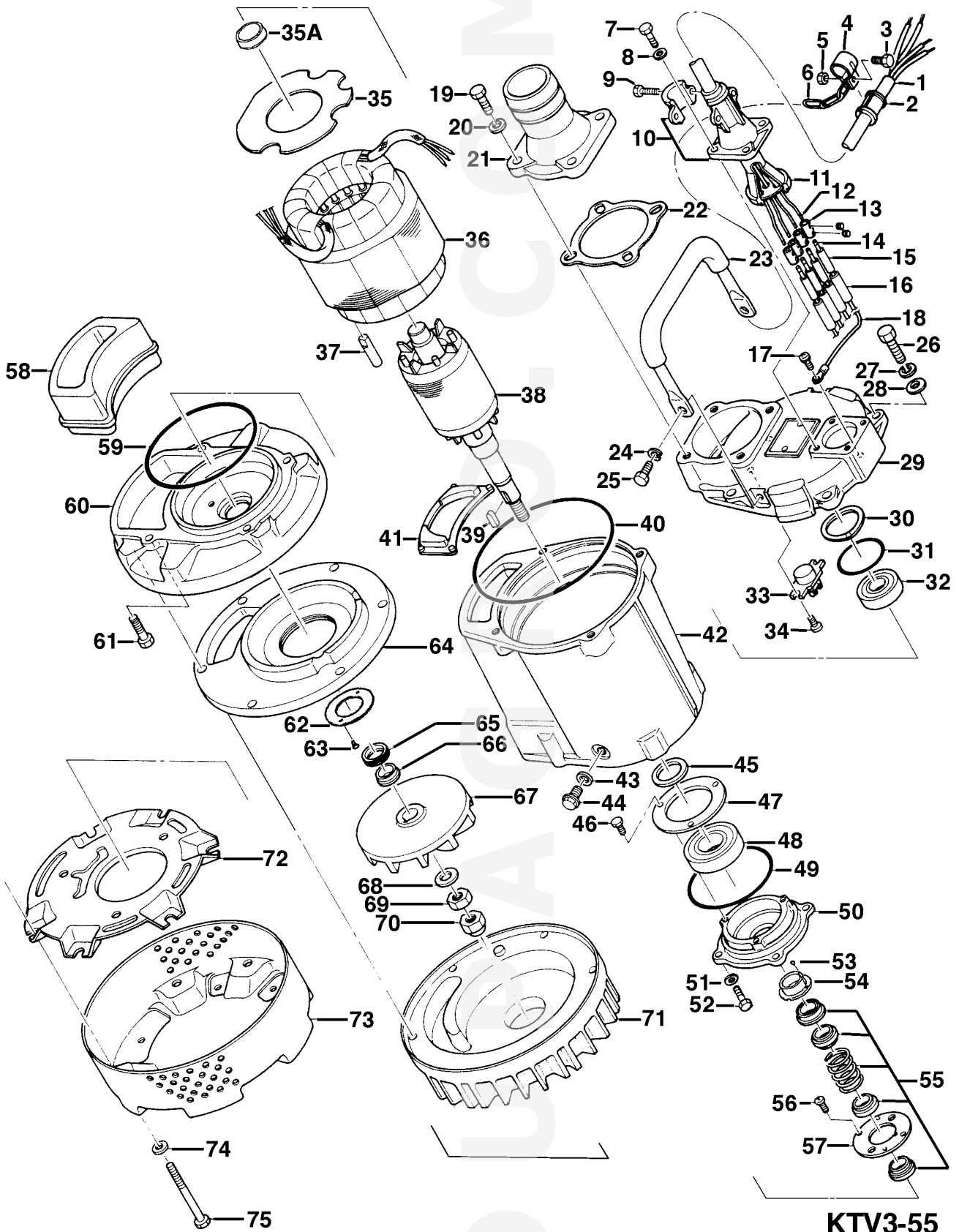
Dupagro B.V.

 Ooststeeg 102
 6708 AX Wageningen
 The Netherlands

Phone +31 (0) 317 840 197

info@dupagro.com
www.dupagro.com

Exploded View KTV3-55



KTV3-55

