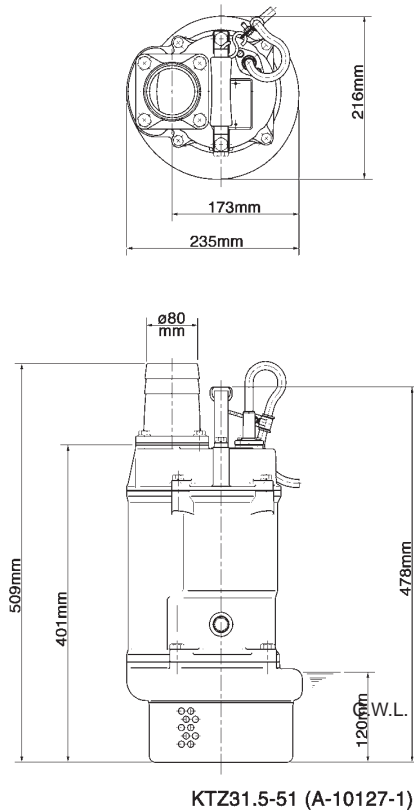
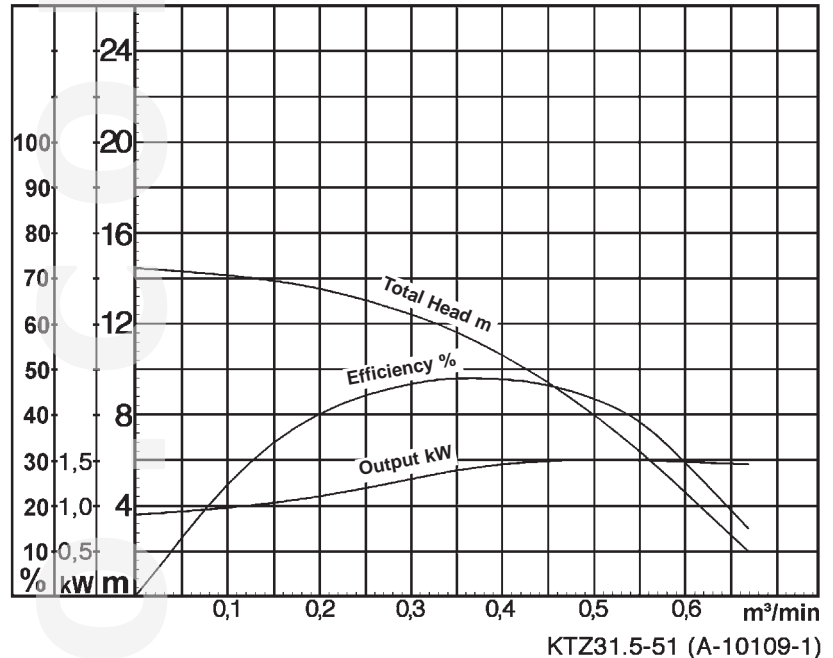


# Data Sheet KTZ31.5-51



C.W.L. = Continuous running water level



## Classification

Electric submersible pump  
 Protection class IP68  
 Depth of submersion max. 50m  
 Open type impeller  
 Max. solid handling 8,5mm  
 Suitable for spring water, rain water, ground water, sand carrying water

## Electric Motor

Dry-type submersible induction motor,  
 Insulation class F, 2 poles, 2840 r.p.m.  
 Direct on line start  
 Voltage: 400V, 50Hz, 3-phase  
 Power input: 2,17kW  
 Power output: 1,5kW  
 Nominal current: 3,5A  
 Start current: 22,0A

## Electric Cable

20m H07RN-F 4Cx1,5mm<sup>2</sup>

## Motor Protection

Circle thermal protector  
 (snap-action bi-metal device)

### Dupagro B.V.

Ooststeeg 102  
 6708 AX Wageningen  
 The Netherlands

Phone +31 (0) 317 840 197  
[info@dupagro.com](mailto:info@dupagro.com)  
[www.dupagro.com](http://www.dupagro.com)

## Shaft Seal

Double mechanical seal in oil bath  
 additional lubrication by oil lifting device  
 Primary Seal:  
 silicon carbide on silicon carbide  
 Secondary Seal:  
 silicon carbide on silicon carbide

## Bearings

Shielded ball bearings, maintenance-free

## Materials

Impeller:	Chromium iron casting
Casing:	FC200 (EN-GJL-200)
Suction Cover:	FCD500 (EN-GJS-500-7)
Motor frame:	FC150 (EN-GJL-150)
Shaft:	SUS420J2 (EN-X30Cr13)

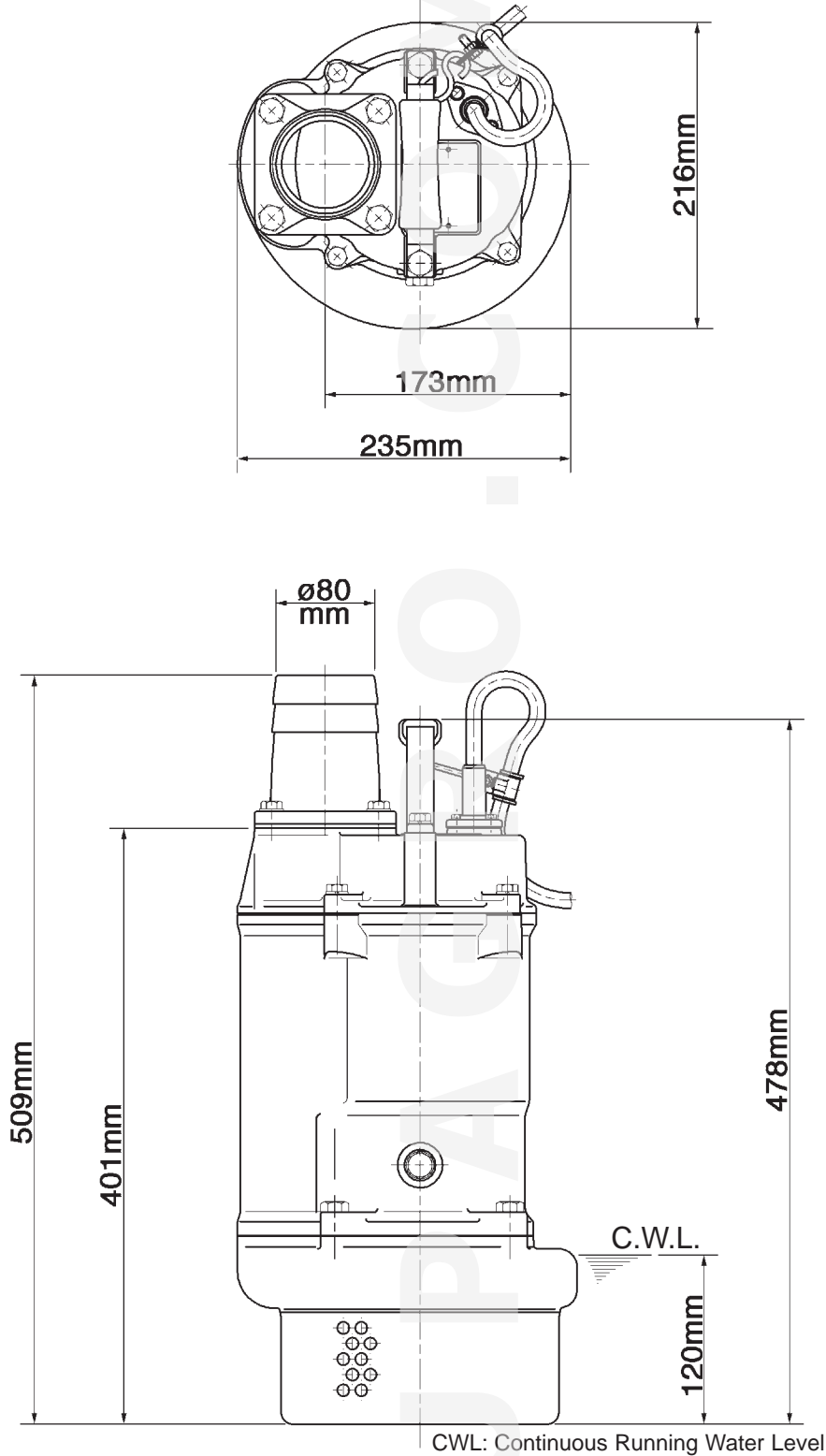
## Discharge Connection

3" (80mm) BS-Coupling (threaded flange)

## Weight

30 kg (dry weight of the pump without cable)

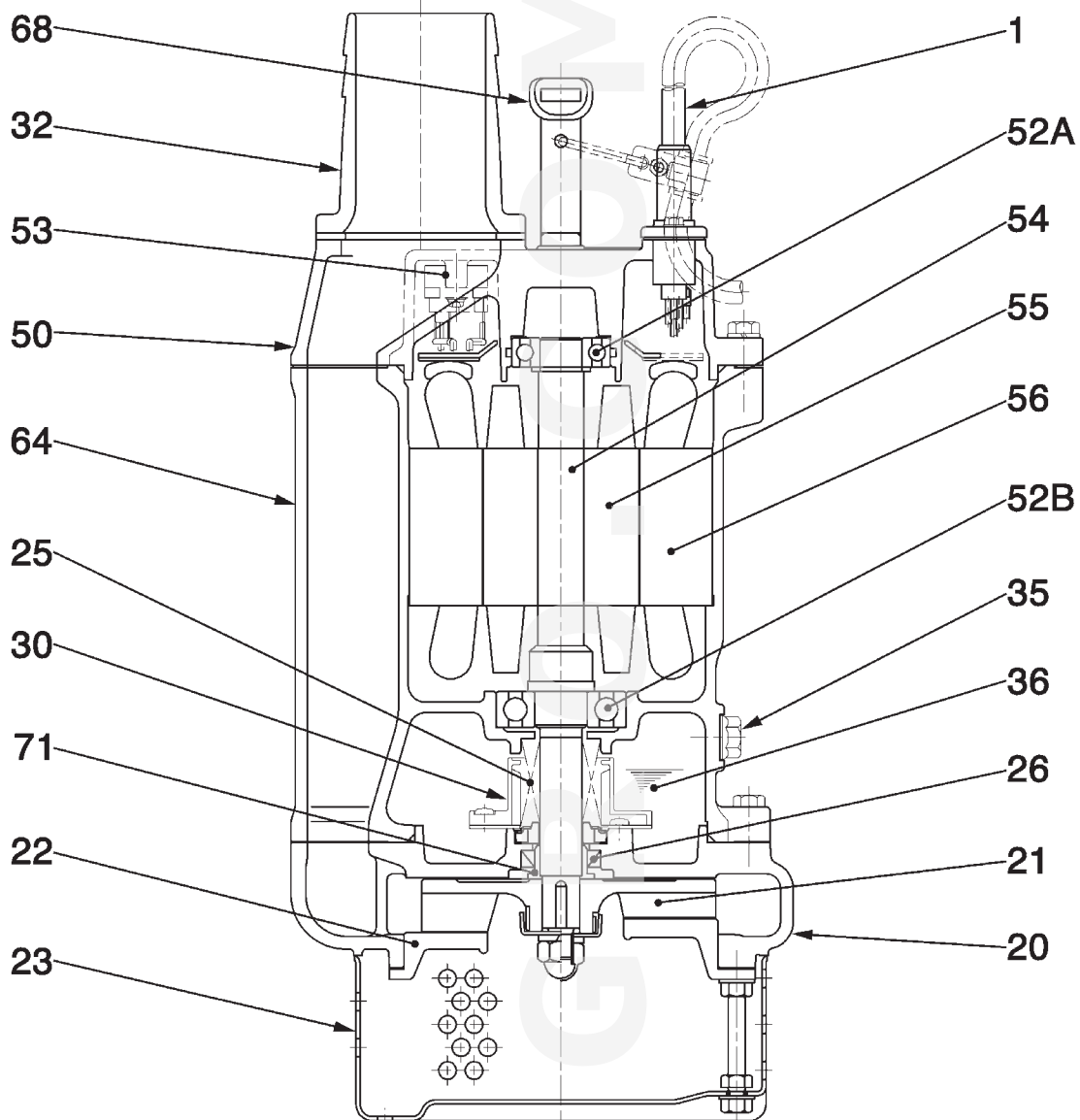
# Dimensional Drawing KTZ31.5-51



**KTZ31.5-51 (A-10127-1)**

# Sectional Drawing

## KTZ31.5-51


**KTZ31.5-51 (A-1031-1)**

No.	Description	Qty.	Remarks	No.	Description	Qty.	Remarks
1	Cabtyre Cable	1	H07RN-F	53	Motor Protector	1	
20	Pump Casing	1	FC200 (EN-GJL-200)	54	Shaft	1	SUS420J2 (EN-X30Cr13)
21	Impeller	1	Chromium Iron Casting HiCrFC	55	Rotor	1	
22	Suction Cover	1	FCD500 (EN-GJS-500-7)	56	Stator complete	1	
23	Strainer Stand	1	Steel Plate SPCC	64	Motor Frame	1	FC150 (EN-GJL-150)
25	Mechanical Seal	1	H-20T	68	Handle	1	Steel Plate SPCC + Rubber NBR
26	Oil Seal	1	DD25388	71	Shaft Sleeve	1	SUS304 (EN-X5CrNi18-10)
30	Oil Lifter	1	Plastic				
32	Hose Coupling	1	Aluminium Alloy Casting ADC12				
35	Oil Plug	1	SUS304 (EN-X5CrNi18-10)				
36	Lubricant		Turbine Oil (ISO VG32)				
50	Motor Bracket	1	GG15 (EN-GJL-150)				
52A	Upper Bearing	1	6204ZZC3				
52B	Lower Bearing	1	6305ZZC3				

**Dupagro B.V.**

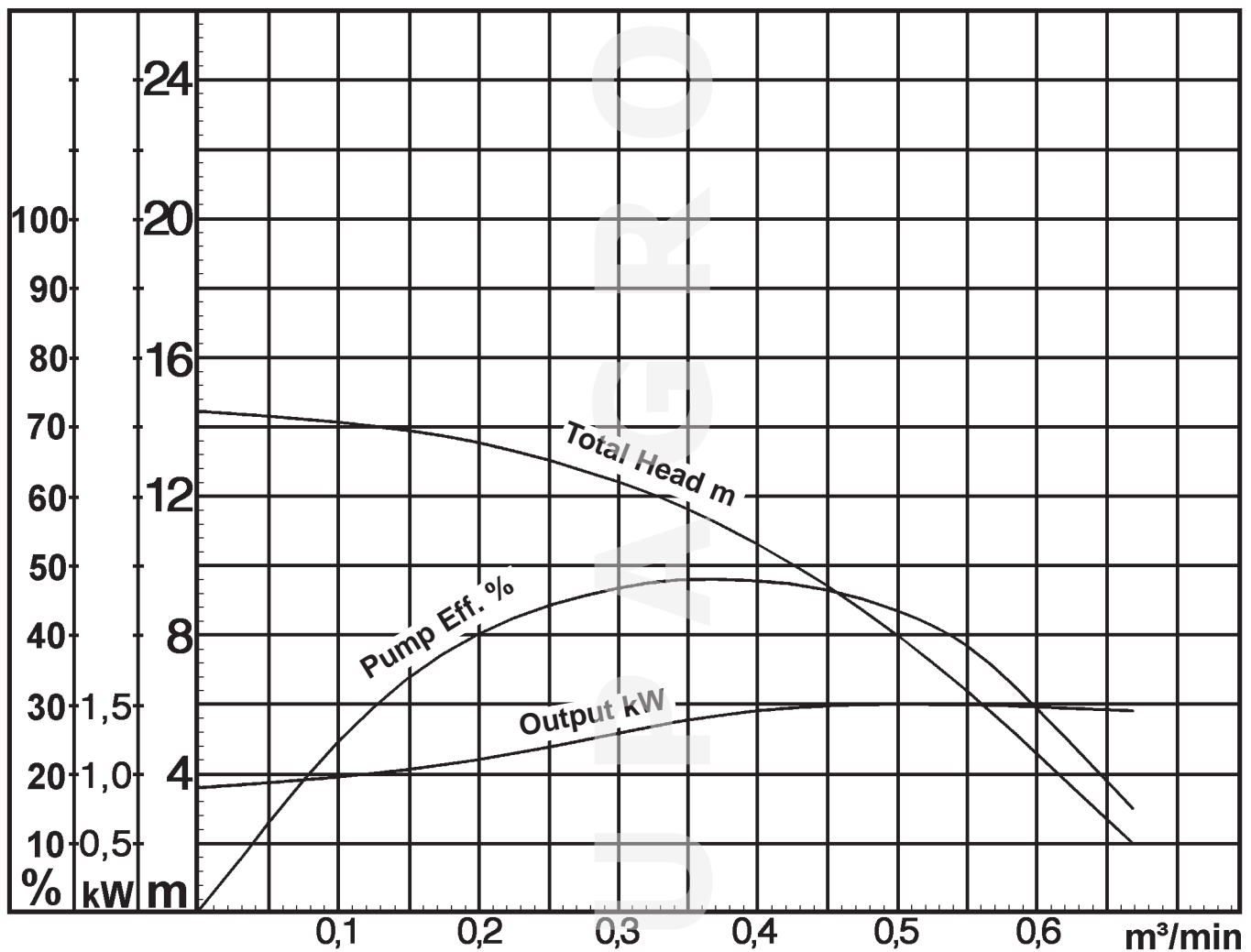
 Ooststeeg 102  
 6708 AX Wageningen  
 The Netherlands

 Phone +31 (0) 317 840 197  
[info@dupagro.com](mailto:info@dupagro.com)  
[www.dupagro.com](http://www.dupagro.com)

# Pump Performance Curve

## KTZ31.5-51

Discharge Bore	80 mm
Total Head	8 m
Capacity	0,50 m <sup>3</sup> /min
Motor Output	1,50 kW
Motor Input	2,17 kW
Phase	3
Voltage	400 V
Frequency	50 Hz
Rated Current	3,5 A
Starting Current	22,0 A
Poles	2
Revolution	S.S. 2840 r.p.m.
Starting Method	direct on line
Insulation Class	F



KTZ31.5-51 (A-10109-1)

Item	Item no.	Description	Quant.
1	140-074-15	Hex.Bolt M10x20 SUS304 (EN X5CrNi18-10) Stainless Steel	2
2	068-000-17	Handle KTZ1.5/2.2-61(USA) SPC+ NBR	1
3	010-126-17	Cable Clip Rubber HS2 NBR	1
4	010-105-10	Cable Clip SB SPC	1
5	140-018-37	Hex.Bolt M6x15 SWRM	1
6	141-003-58	Hex.Nut M5 SWRM	1
7	140-427-17	Hex.Bolt (w/Plain Washer) M6x15 SUS304 (EN X5CrNi18-10)	2
8	003-190-10	Gland SUS316 (EN X5Cr-Ni-Mo17-12-2)	1
9	001-TEG-31	Cabletyre Cable Set (20m) H07RN-F4Cx1.5mm² with gland	1
9	MD1-TEG-31	Cabletyre Cable Set (20m) NSSHÖU 4Cx1.5mm²	1
10	140-076-59	Hex.Bolt M10x30 SUS410 (EN X12Cr13) Stainless Steel	4
11	142-128-24	Plain Washer M10 Kaltgewalztes Blech	4
12	032-116-12	Hose Coupling 80mm(15L) ADC	1
12	032-435-10	Hose Coupling (for EUR)KTZ(BSPT-3) FC	1
13	121-181-17	Packing KT-15 NBR	1
14	140-488-16	Hex.Bolt (w/Spring Washer) M8x30 SUS304 (EN X5Cr18-10)	4
15	050-421-19	Motor Bracket FC	1
16	122-140-17	O-Ring G-145 NBR	1
17	053-471-13	Motor Protector 380-420V-50HZ 380-460V-60HZ KA311-DPWJ78 (T.C)	1
18	143-126-12	Pan Screw (w/Spring Washer/Plain Washer) M4x12 SWRM	2
19	009-292-11	Earth Terminal 1.25mmx140L	1
20	143-085-34	Pan Screw (w/Spring Washer) M4x6 C3604 (EN CuZn39Pb3)	1
21	142-389-12	Wave Washer #6204 SK-5	1
22	052-187-16	Bearing (w/O-ring) AC-6204ZZC3	1
23	122-293-16	O-Ring 47x3.1 NBR	1
24	061-174-18	Slinger d20xd27x2t SPC	1
25	058-000-13	Lead Wire Protection Plate d61xd136x2t (Resin)	1
26	055-705-15	Rotor	1
27	147-017-11	Impeller Key 5x5x20l SUS	1
28	056-001-14	Stator 380/400/415V-50Hz(EUR)	1
29	052-108-13	Bearing 6305ZZC3	1
30	121-507-13	Packing (Water Way, Upp.) KTZ21.5/32.2 NBR	1
31	064-000-10	Motor Frame (FC)	1
32	140-488-16	Hex.Bolt (w/Spring Washer) M8x30 SUS304 (EN X5Cr18-10)	4
33	121-246-11	Packing (Oil Plug) d10.3xd16x2t PE	1
34	035-000-01	Oil PlugM10x16(B=13) EN X5CrNi18-10	1
34	035-125-13	Oil Plug M10x20(B=13) SUS304 (EN X5CrNi18-10) Stainless Steel	1
35	025-243-17	Mechanical Seal H-20T SIC	1
36	143-070-10	Pan Screw M5x6 SWRM	2
37	030-144-13	Oil Lifter H-20(A)(T) Resin	1
38	143-070-10	Pan Screw M5x6 SWRM	4
39	030-154-16	Seal Stopper H-20T SPCC	1
40	122-139-13	O-Ring G-140 NBR	1
41	121-501-17	Packing (Water Way, Low.) KTZ21.5/22.2 NBR	1
42		022-00-53	1
42	020-001-01	Pump Casing KTZ21.5/32.2 FC	1
43	026-105-19	Oil Seal TC-25388 NBR	1
43	026-105-19	Oil Seal TC-25388 NBR	1
44	071-314-13	Shaft Sleeve d20xd25x16l SUS304 (EN X5CrNi18-10) Stainless Steel	1
45	040-104-25	Impeller Shim d18.2xd29x0.3t SUS304 (EN X5CrNi18-10) Stainless Steel	1
46	021-552-23	Impeller (15L) 15L HiCrFC	1
47	047-113-28	Impeller Thread Protect.Cover No.3A(13.5) SUS304 (EN X5Cr18-10)	1
48	142-165-10	Spring Washer M12 SUS304 (EN X5Cr18-10)	1
49	141-032-14	Hex.Cap Nut M12 SUS304	1
50	120-110-12	Packing (S.Cover) d150xd186x0.3t PE	1
51	022-000-53	Suction Cover KTZ31.5/32.2 (FCD)	1
51	022-000-53	Suction Cover KTZ31.5/32.2 (FCD)	1
52	142-127-23	Plain Washer M8 SPC	3
53	144-000-56	Stud Bolt M8x85(12/30) SUS410 (EN X12Cr13) Stainless Steel	3
54	023-472-11	Strainer Stand KTZ21.5/32.2 SPCC	1
55	142-127-23	Plain Washer M8 SPC	3
56	141-005-89	Hex.Nut M8 SWRM	3
	173-513-13	Packing & O-Ring Set	1
	##oilVG32	ml Turbine Oil ISO VG32	740

**Dupagro B.V.**

 Ooststeeg 102  
 6708 AX Wageningen  
 The Netherlands

Phone +31 (0) 317 840 197

[info@dupagro.com](mailto:info@dupagro.com)  
[www.dupagro.com](http://www.dupagro.com)



