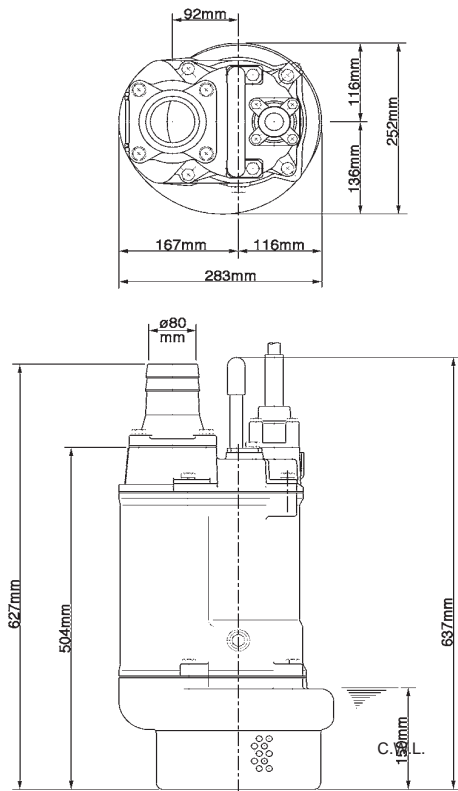
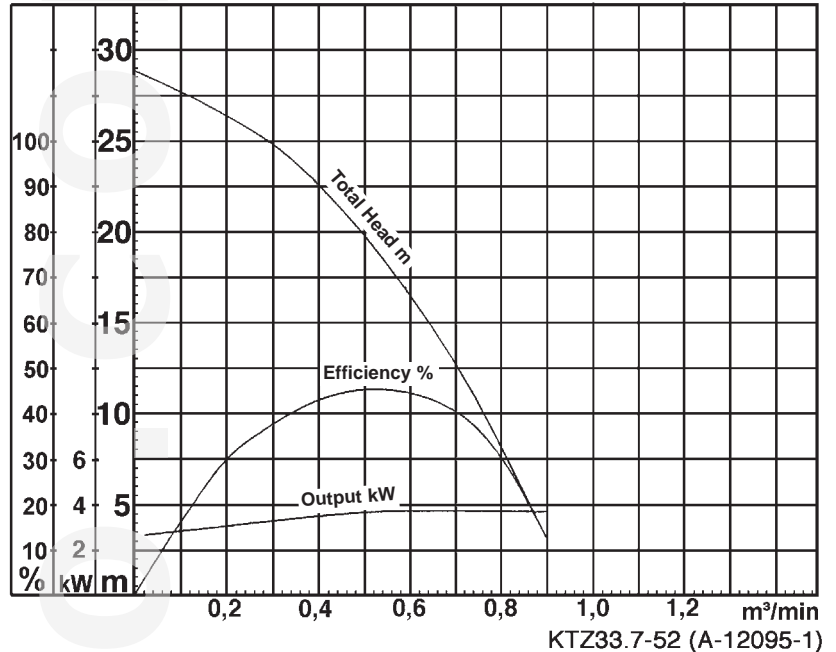


Data sheet KTZ33.7-52



KTZ33.7-52 (A-12100-1) C.W.L. = Continuous running water level



KTZ33.7-52 (A-12095-1)

Classification

Electric submersible pump
 Protection class IP68
 Depth of submersion max. 50m
 Open type impeller
 Max. solid handling 8,5mm
 Suitable for spring water, rain water, ground water, sand carrying water

Electric Motor

Dry-type submersible induction motor,
 Insulation class F, 2 poles, 2850 r.p.m.
 Direct on line start
 Voltage: 400V, 50Hz, 3-phase
 Power input: 4,91kW
 Power output: 3,70kW
 Nominal current: 7,7A
 Start current: 58,0A

Electric Cable

20m H07RN-F 4Cx1,5mm²

Motor Protection

Circle thermal protector
 (snap-action bi-metal device)

Dupagro B.V.

Ooststeeg 102
 6708 AX Wageningen
 The Netherlands

Phone +31 (0) 317 840 197
info@dupagro.com
www.dupagro.com

Shaft Seal

Double mechanical seal in oil bath
 additional lubrication by oil lifting device
 Primary Seal:
 silicon carbide on silicon carbide
 Secondary Seal:
 silicon carbide on carbon

Bearings

Shielded ball bearings, maintenance-free

Materials

Impeller:	Chromium iron casting
Casing:	FC200 (EN-GJL-200)
Suction Cover:	FCD500 (EN-GJS-500-7)
Motor frame:	FC150 (EN-GJL-150)
Shaft:	SUS420J2 (EN-X30Cr13)

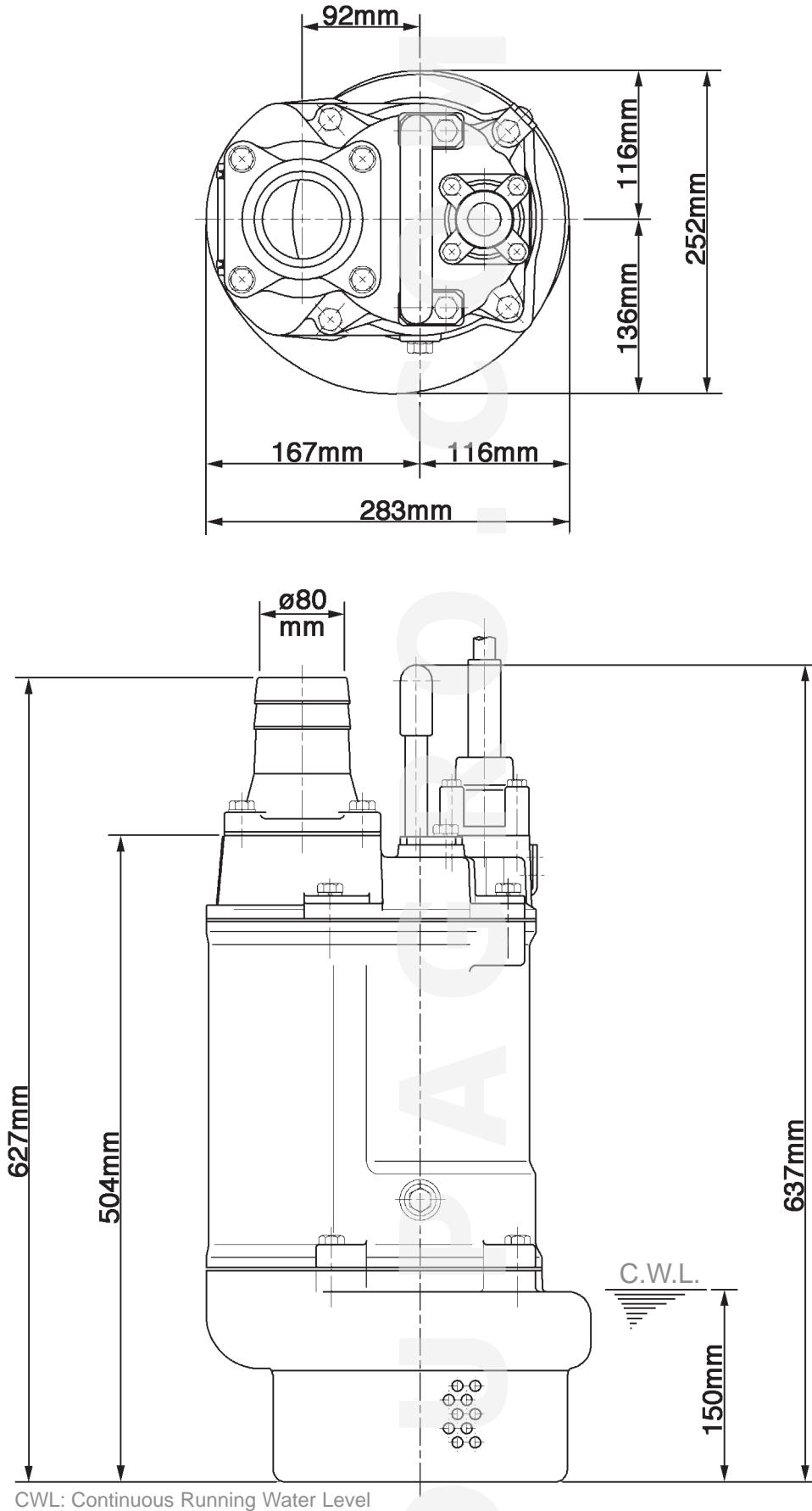
Discharge Connection

3" (80mm) BS-Coupling (threaded flange)

Weight

62,5 kg (dry weight of the pump without cable)

Dimensional Drawing KTZ33.7-52



CWL: Continuous Running Water Level

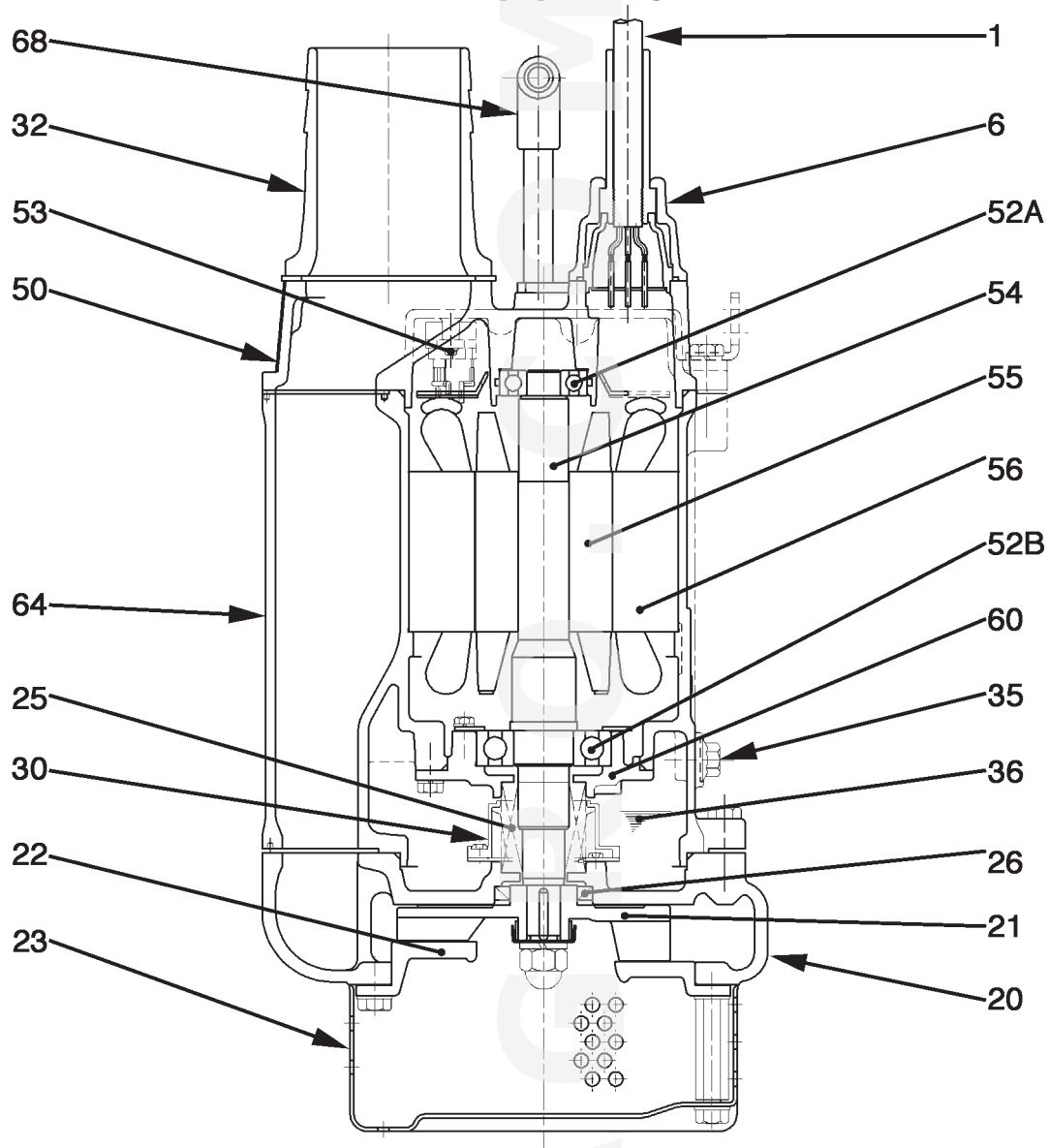
KTZ33.7-52 (A-12100-1)

Dupagro B.V.
Ooststeeg 102
6708 AX Wageningen
The Netherlands

Phone +31 (0) 317 840 197
info@dupagro.com
www.dupagro.com

Sectional Drawing

KTZ33.7-52


KTZ33.7-52 (A-12102-1)

No.	Description	Qty.	Remarks	No.	Description	Qty.	Remarks
1	Cabtyre Cable	1	H07RN-F	52B	Lower Bearing	1	6307ZZC3
6	Stuffing Box	1	FC200 (EN-GJL-200)	53	Motor Protector	1	
20	Pump Casing	1	FC200 (EN-GJL-200)	54	Shaft	1	SUS420J2 (EN-X30Cr13)
21	Impeller	1	Chromium Iron Casting HiCrFC	55	Rotor	1	
22	Suction Cover	1	FCD500 (EN-GJS-500-7)	56	Stator Complete	1	
23	Strainer Stand	1	Steel Plate SPCC	60	Bearing Housing	1	FC150 (EN-GJL-150)
25	Mechanical Seal	1	H-2530	64	Motor Frame	1	FC150 (EN-GJL-150)
26	Oil Seal	1	DD40588	68	Handle	1	Carbon Steel SGP/Structure Steel SS
30	Oil Lifter	1	Plastic				
32	Hose Coupling	1	Aluminium Alloy Casting ADC12				
35	Oil Plug	1	SUS304 (EN-X5CrNi18-10)				
36	Lubricant		Turbine Oil (ISO VG32)				
50	Motor Bracket	1	Grey Iron Casting FC150				
52A	Upper Bearing	1	6304ZZC3				

Dupagro B.V.

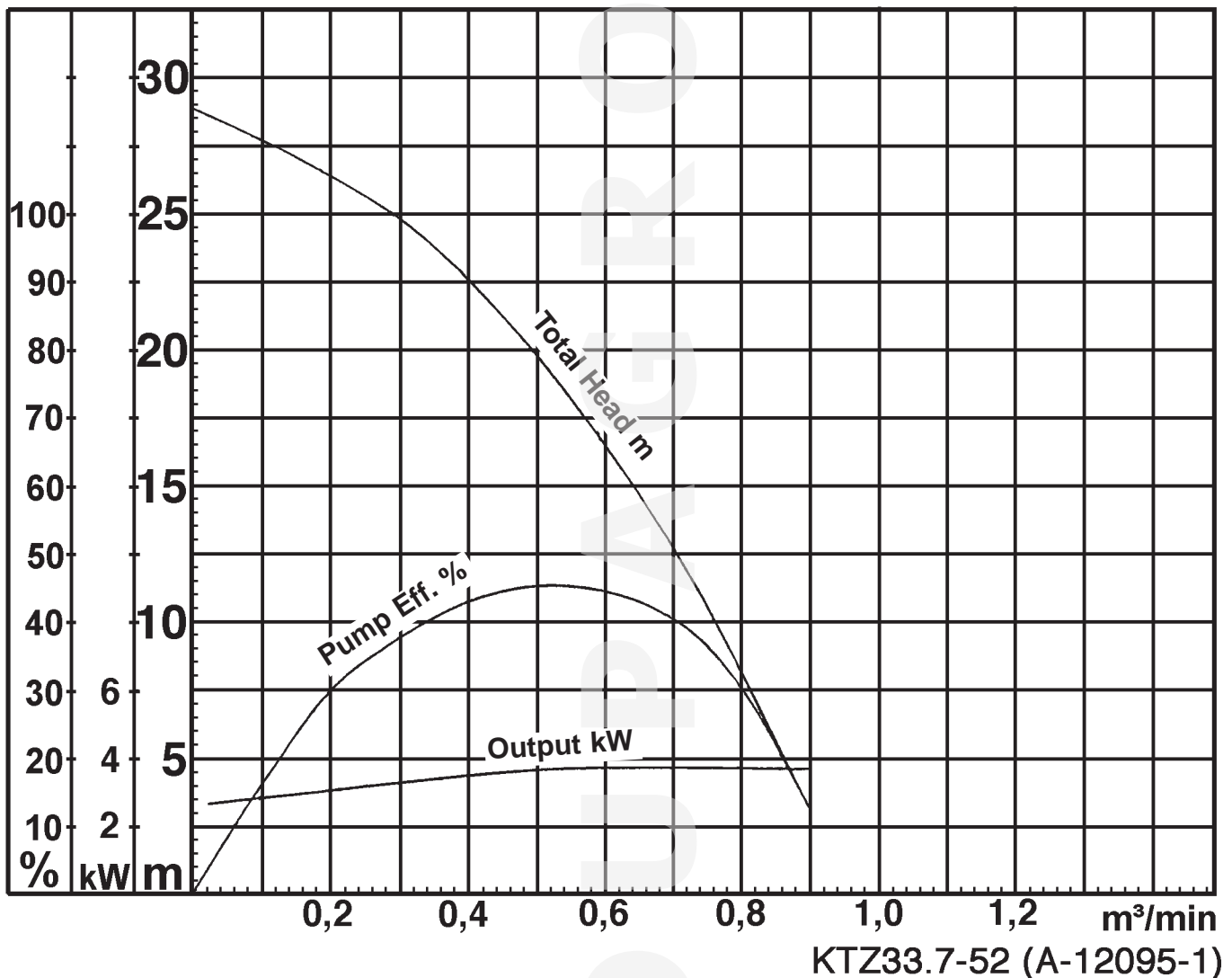
 Ooststeeg 102
 6708 AX Wageningen
 The Netherlands

 Phone +31 (0) 317 840 197
info@dupagro.com
www.dupagro.com

Pump Performance Curve

KTZ33.7-52

Discharge Bore	80 mm
Total Head	20 m
Capacity	0,50 m ³ /min
Motor Output	3,70 kW
Motor Input	4,91 kW
Phase	3
Voltage	400 V
Frequency	50 Hz
Rated Current	7,7 A
Starting Current	58,0 A
Poles	2
Revolution	S.S. 2850 r.p.m.
Starting Method	direct on line
Insulation Class	F



KTZ33.7-52

2016-10-17 V.18 / 1.10.2015

Item	Item no.	Description	Quant.
1	001-TEG-02	Cabtyre Cable Set (20m) H07RN-F4Cx2,5mm ² without stuffing box	1
1	M01-TEG-02	Cabtyre Cable Set (20m) NSSHÖU 4Cx2,5mm ²	1
2	010-124-15	Cable Clip Rubber No.3 NBR	1
3	010-120-18	Cable Clip No.2-1 SPC	1
4	141-004-33	Hex.Nut M6 SWRM	1
5	140-032-37	Hex.Bolt M6x15 SWRM	1
6	095-131-18	Chain d4(3-Link) SS	1
7	011-110-11	Shackle 6mm SS	1
8	140-060-18	Hex.Bolt M6x50 SUS304	4
9	006-167-17	Stuffing Box No.1-3 FC	1
10	122-121-12	O-Ring G-50 NBR	1
11	004-167-11	Cable Bush No.1 CR	1
12	008-156-19	Mould Cover No.1-3 ADC	1
13	009-126-13	Terminal 1.25mm2/2mm2 Nylon	4
14	002-135-14	Heat Shrink Tube (Sold per meter) A(d15x0.3t) (V/m)	1
15	140-079-10	Hex.Bolt M10x40 SUS304 (EN X5Cr18-10)	4
16	142-164-19	Spring Washer M10 SUS304 (EN X5CrNi18-10)	4
17	070-117-11	L-Shape Fitting 40x25x4.5t d13Hole SPC	1
18	140-074-15	Hex.Bolt M10x20 SUS304 (EN X5CrNi18-10) Stainless Steel	2
19	068-000-36	Handle KTZ23.7/45.5 SGP+SS	1
20	140-076-59	Hex.Bolt M10x30 SUS410 (EN X12Cr13) Stainless Steel	4
21	142-128-24	Plain Washer M10 Kaltgewalztes Blech	4
22	032-437-12	Hose Coupling (for EUR)KT V(BSPT-3) FC	1
22	032-437-12	Hose Coupling (for EUR)KT V(BSPT-3) FC	1
23	121-141-15	Packing KRB-3/4 Type NR	1
24	050-419-14	Motor Bracket FC	1
25	122-276-13	O-Ring 160xd3.1 NBR	1
26	053-516-11	Motor Protector 380/400/415V-50HZ KA313-GGTL103 (T.C)	1
27	143-126-12	Pan Screw (w/Spring Washer/Plain Washer) M4x12 SWRM	2
28	009-293-12	Earth Terminal 2mm2x180l	1
29	143-085-34	Pan Screw (w/Spring Washer) M4x6 C3604 (EN CuZn39Pb3)	1
30	142-196-10	Wave Washer 6205/6304 SK5	1
31	052-107-12	Bearing 6304ZZC3	1
32	122-367-12	O-Ring 52xd3.1 NBR	1
33	058-000-04	Lead Wire Protection Plate d66xd150x1.5t Bakelite	1
34	055-000-33	Rotor	1
35	147-026-13	Impeller Key 5x5x25l Stainless Steel	1
36	056-001-29	Stator 380/400/415V-50Hz	1
37	121-506-12	Packing (Water Way, Upp.) KTZ23.7/33.7/43.7 NBR	1
38	064-000-19	Motor Frame FC	1
39	140-078-19	Hex.Bolt M10x35 SUS304 (EN X5CrNi18-10)	4
40	142-164-19	Spring Washer M10 SUS304 (EN X5CrNi18-10)	4
41	121-247-12	Packing (Oil Plug) d12.3xd18x2t PE	1
42	140-000-17	Hex.Bolt (w/Flange) M12x15(Oil Plug) SUS304 (EN X5CrNi18-10) Stainless Steel	1
43	140-030-35	Hex.Bolt M6x12 SWRM	4
44	142-162-33	Spring Washer M6 SWRH	4
45	062-219-19	Bearing Cover d70xd105x2.3t SPCC	1
46	052-110-18	Bearing 6307ZZC3	1
47	122-133-17	O-Ring G-110 NBR	1
48	060-411-17	Bearing Housing FC	1
49	142-163-34	Spring Washer M8 SWRH	4
50	140-054-48	Hex.Bolt M8x20 SWRM	4
51	025-000-01	Mechanical Seal HT-2530N SiC	1
52	143-070-10	Pan Screw M6x6 SWRM	2
53	030-139-15	Oil Lifter For HT-2530 Resin	1
54	143-070-10	Pan Screw M6x6 SWRM	4
55	030-148-17	Seal Stopper For HT-2530 SPCC	1
56	122-283-13	O-Ring 165xd3.1 NBR	1
57	121-124-12	Packing (Water Way, Low.) KTV-37/55 NBR	1
58	020-975-10	Pump Casing (1st) KTZ23.7/33.7/43.7 (FC)	1
58	020-001-02	Pump Casing KTZ23.7/33.7/43.7 FC	1
59	026-144-49	Oil Seal TC-40588 NBR	1
60	040-106-27	Impeller Shim d20.2xd30x0.3t SUS304 (EN X5CrNi18-10) Stainless Steel	1
61	021-009-07	Impeller (50HZ) 50Hz HiCrFC	1
62	047-104-26	Impeller Thread Protect.Cover No.3B(18) SUS304 (EN X5CrNi18-10) Stainless Steel	1
63	142-166-11	Spring Washer M16 SUS304 (EN X5Cr18-10)	1
64	141-033-15	Hex.Cap Nut M16 SUS304 (EN X5Cr18-10)	1
65	120-109-21	Packing (S.Cover) d180xd220x0.3t PE	1
66	022-000-55	Suction Cover KTZ33.7 (FCD)	1
67	142-128-24	Plain Washer M10 Kaltgewalztes Blech	3
68	140-074-15	Hex.Bolt M10x20 SUS304 (EN X5CrNi18-10) Stainless Steel	3
69	142-128-24	Plain Washer M10 Kaltgewalztes Blech	3
70	144-000-09	Stud Bolt M10x96(22/14) SUS403 (EN X6Cr13) Stainless Steel	3
71	023-471-10	Strainer Stand KTZ23.7/45.5 SPCC	1
72	142-128-24	Plain Washer M10 Kaltgewalztes Blech	3
73	141-006-77	Hex.Nut M10 S45C	3
	173-514-14	Packing & O-Ring Set	1
	##oilVG32	ml Turbine Oil ISO VG32	1200

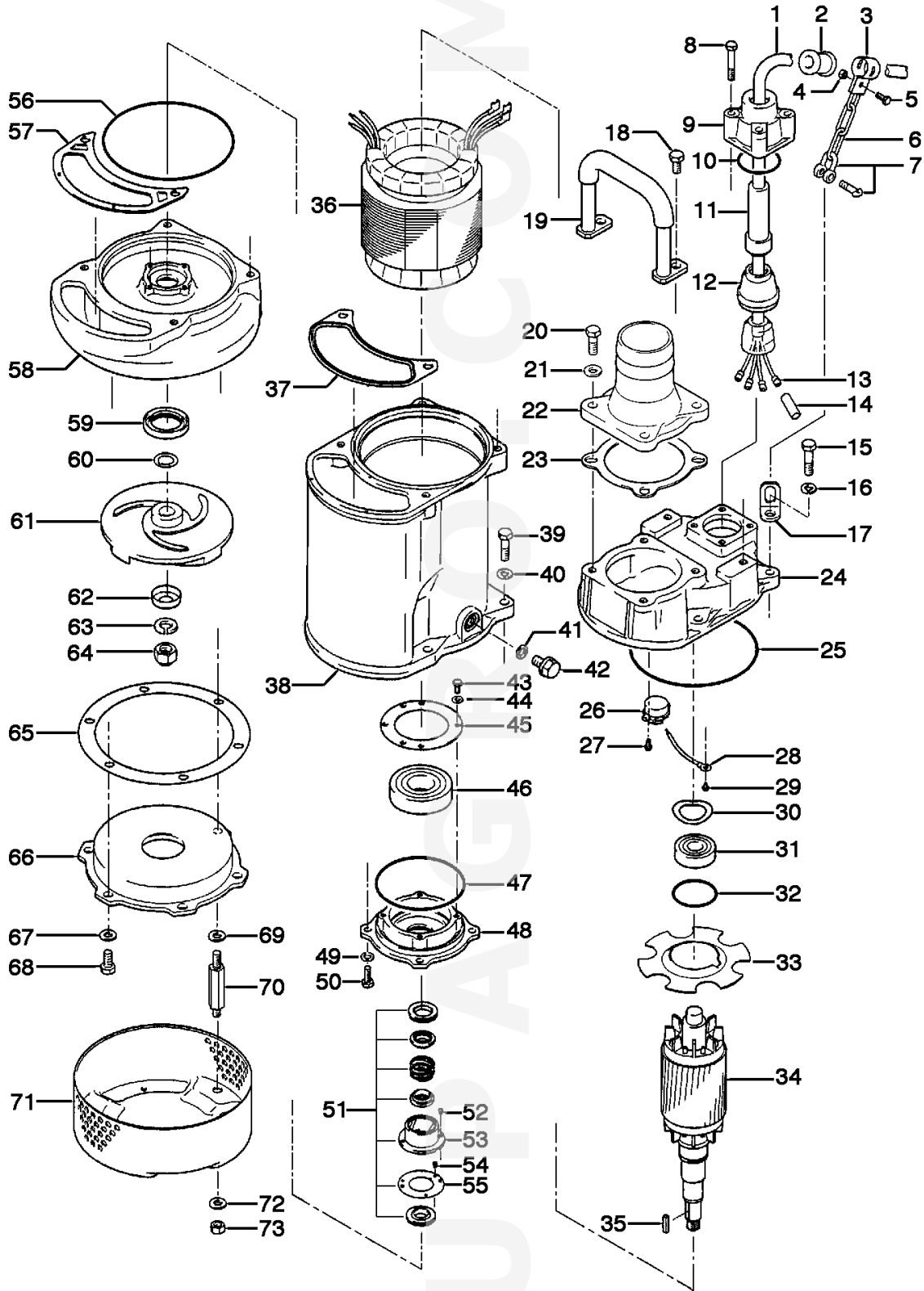
Dupagro B.V.

 Ooststeeg 102
 6708 AX Wageningen
 The Netherlands

Phone +31 (0) 317 840 197

info@dupagro.com
www.dupagro.com

Exploded View KTZ33.7-52



KTZ33.7-52

