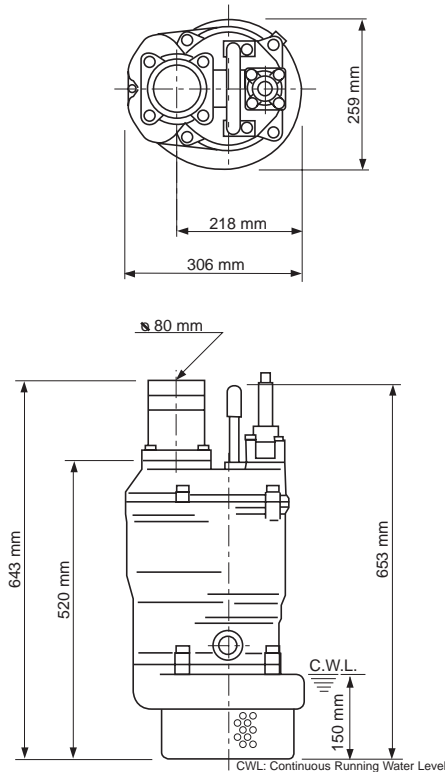
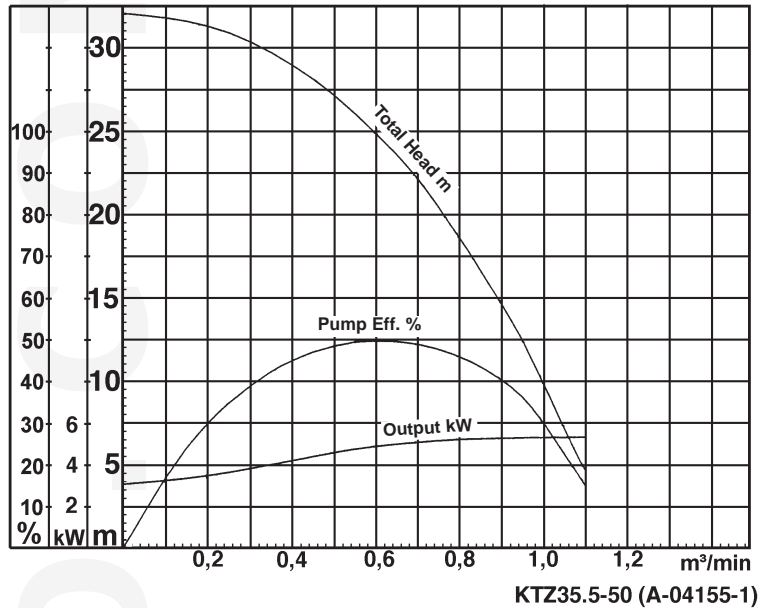


# Data Sheet KTZ35.5-50


**KTZ35.5-50**


## Classification

Electric submersible pump  
 Protection class IP68  
 Depth of submersion max. 50m  
 Open type impeller  
 Max. solid handling 10 mm  
 Suitable for spring water, rain water, ground water, sand carrying water

## Electric Motor

Dry-type submersible induction motor,  
 Insulation class F, 2 poles, 2945 r.p.m.  
 Direct on line start  
 Voltage: 400V, 50Hz, 3-phase  
 Power input: 6,9kW  
 Power output: 5,5kW  
 Nominal current: 11,4A  
 Start current: 85,0A

## Electric Cable

20m H07RN-F 4Cx2,5mm<sup>2</sup>

## Motor Protection

Circle thermal protector  
 (snap-action bi-metal device)

### Dupagro B.V.

Ooststeeg 102  
 6708 AX Wageningen  
 The Netherlands

Phone +31 (0) 317 840 197  
[info@dupagro.com](mailto:info@dupagro.com)  
[www.dupagro.com](http://www.dupagro.com)

## Shaft Seal

Double mechanical seal in oil bath  
 additional lubrication by oil lifting device  
 Primary Seal:  
     silicon carbide on silicon carbide  
 Secondary Seal:  
     silicon carbide on carbon

## Bearings

Shielded ball bearings, maintenance-free

## Materials

Impeller:	Chromium iron casting
Casing:	FC200 (EN-GJL-200)
Suction Cover:	FCD500 (EN-GJS-500-7)
Motor frame:	FC150 (EN-GJL-150)
Shaft:	SUS420J2 (EN-X30Cr13)

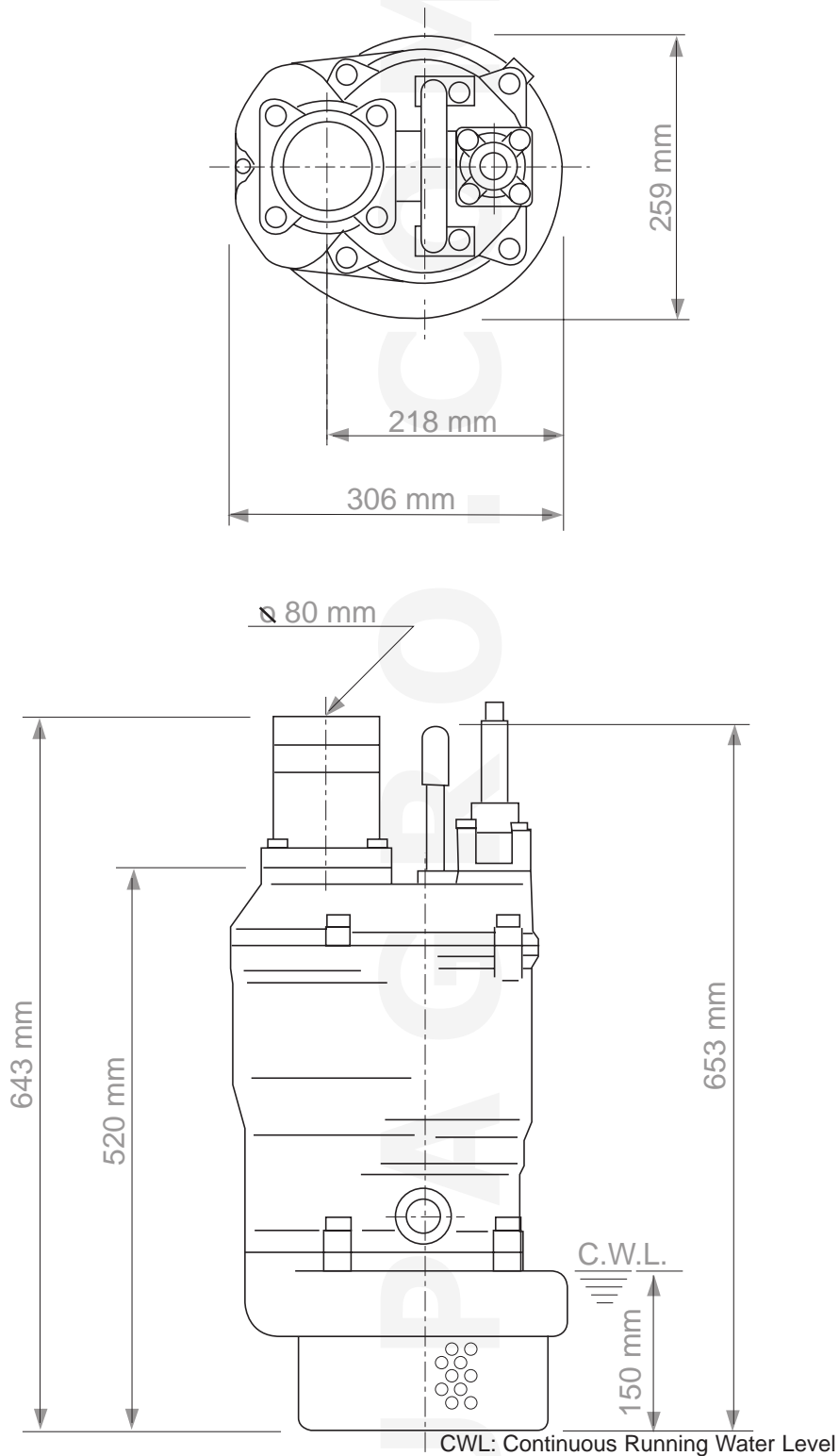
## Discharge Connection

3" (80mm) BS-Coupling (threaded flange)

## Weight

82 kg (dry weight of the pump without cable)

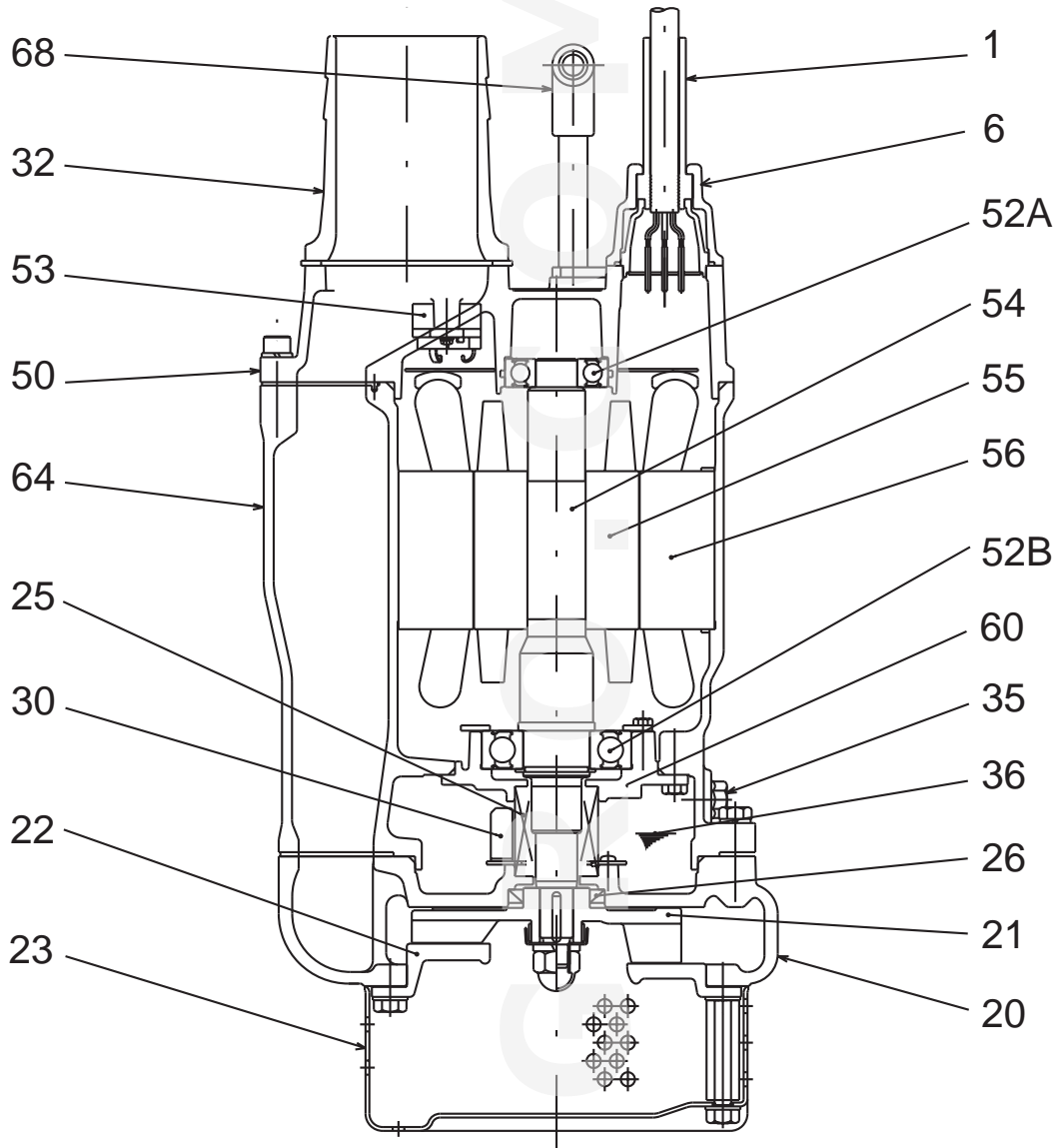
# Dimensional Drawing KTZ35.5-50



**KTZ35.5-50**

# Sectional Drawing

## KTZ35.5-50


**KTZ35.5-50**

No.	Description	Qty.	Remarks	No.	Description	Qty.	Remarks
1	Cabtyre Cable	1	Chloroprene Sheath 2PNCTF	52B	Lower Bearing	1	6308ZZC3
6	Stuffing Box	1	Grey Iron Casting FC200	53	Motor Protector	1	
20	Pump Casing	1	Grey Iron Casting FC200	54	Shaft	1	Stainless Steel 420J2
21	Impeller	1	Chromium Iron Casting HiCrFC	55	Rotor	1	
22	Suction Cover	1	Ductile Iron Casting FCD500	56	Stator Complete	1	
23	Strainer Stand	1	Steel Plate SPCC	60	Bearing Housing	1	Grey Iron Casting FC150
25	Mechanical Seal	1	H-2530	64	Motor Frame	1	Grey Iron Casting FC150
26	Oil Seal	1	DD40588	68	Handle	1	Carbon Steel SGP/Structure Steel SS
30	Oil Ring	1	Steel Plate SPCC				
32	Hose Coupling	1	Aluminium Alloy Casting ADC12				
35	Oil Plug	1	Stainless Steel 304				
36	Lubricant		Turbine Oil (ISO VG32)				
50	Motor Bracket	1	Grey Iron Casting FC150				
52A	Upper Bearing	1	6305ZZC3				

**Dupagro B.V.**

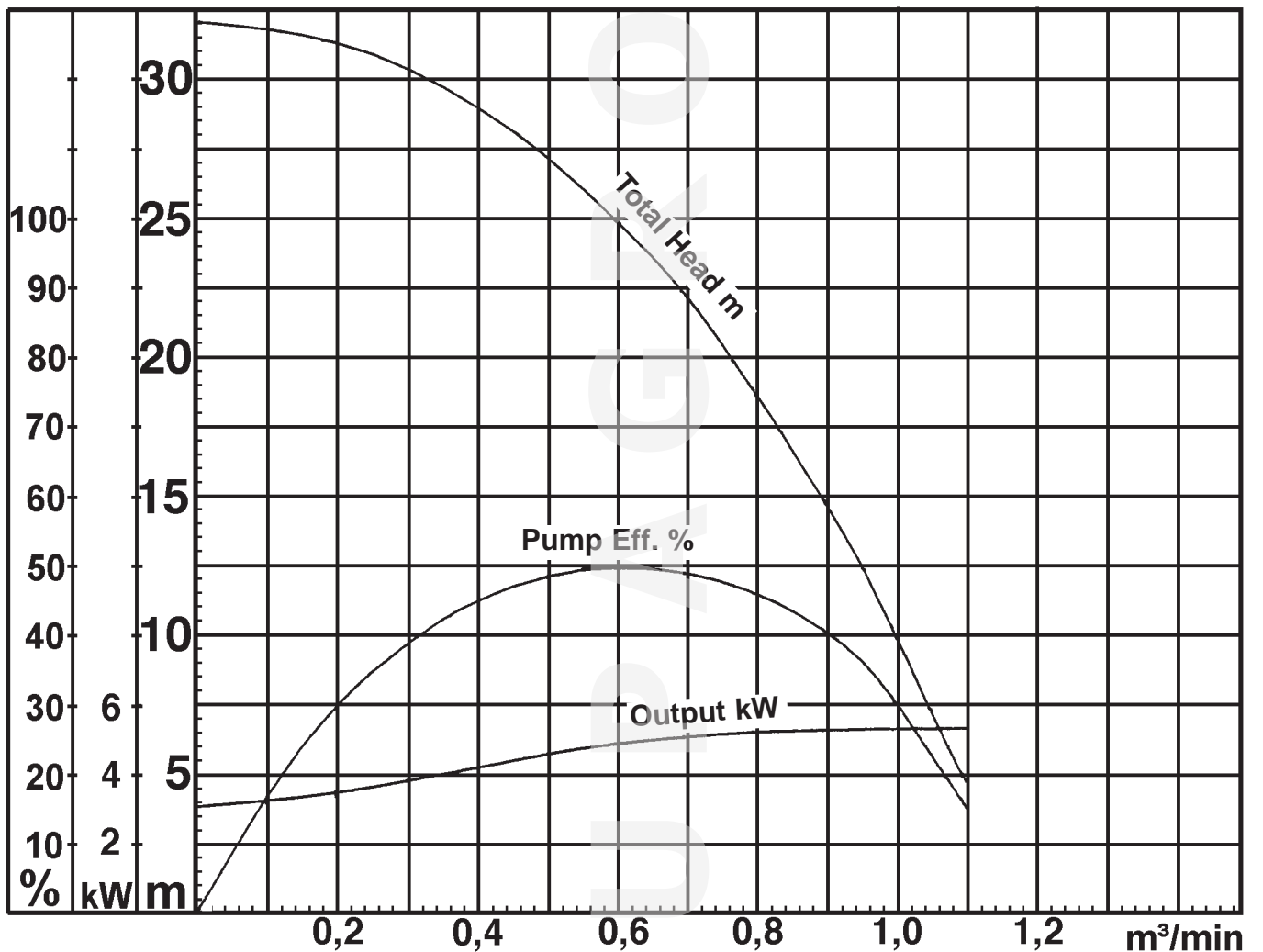
 Ooststeeg 102  
 6708 AX Wageningen  
 The Netherlands

 Phone +31 (0) 317 840 197  
[info@dupagro.com](mailto:info@dupagro.com)  
[www.dupagro.com](http://www.dupagro.com)

# Pump Performance Curve

## KTZ35.5-50

Discharge Bore	80 mm
Total Head	25 m
Capacity	0,60 m <sup>3</sup> /min
Motor Output	5,50 kW
Motor Input	6,84 kW
Phase	3
Voltage	400 V
Frequency	50 Hz
Rated Current	10,8 A
Starting Current	86,0 A
Poles	2
Revolution	S.S. 2860 r.p.m.
Starting Method	direct on line
Insulation Class	E


**KTZ35.5-50 (A-04155-1)**

**KTZ35.5-50**

2016-09-19 V.18 / 1.10.2015

KTZ35.5-50			
Item	Item no.	Description	Quant.
1	001-TEG-02	Cabletyre Cable Set (20m) H07RN-F4C2,5mm <sup>2</sup> without stuffing box	1
1	M01-TEG-02	Cabletyre Cable Set (20m) NSSHÖU 4C2,5mm <sup>2</sup>	1
2	010-121-19	Cable Clip Rubber No.1 NBR	1
3	010-120-18	Cable Clip No.2-1 SPC	1
4	141-004-33	Hex.Nut M6 SWRM	1
5	140-032-37	Hex.Bolt M6x15 SWRM	1
6	095-131-18	Chain d4(3-Link) SS	1
7	011-110-11	Shackle 6mm SS	1
8	140-060-18	Hex.Bolt M6x50 SUS304	4
9	006-167-17	Stuffing Box No.1-3 FC	1
10	122-121-12	O-Ring G-50 NBR	1
11	004-168-12	Cable Bush No.2 CR	1
12	008-156-19	Mould Cover No.1-3 ADC	1
13	009-123-10	Terminal P-5.5 CU	4
14	009-101-12	Terminal (C/W Screw) d12x(d6.6xd6.6)x25l BSBM	4
15	009-123-10	Terminal P-5.5 CU	4
16	002-129-15	Heat Shrink Tube (Sold per meter) EVA(d14x1t) (Vm)	1
17	002-132-11	Heat Shrink Tube (Sold per meter) A4(d17x0.3t) (Vm)	1
18	140-079-10	Hex.Bolt M10x40 SUS304 (EN X5Cr18-10)	4
19	142-164-19	Spring Washer M10 SUS304 (EN X5CrNi18-10)	4
20	070-117-11	L-Shape Fitting 40x25x4.5t d13Hole SPC	1
21	140-074-15	Hex.Bolt M10x20 SUS304 (EN X5CrNi18-10) Stainless Steel	2
22	068-000-36	Handle KTZ23.7/45.5 SGP+SS	1
23	140-076-59	Hex.Bolt M10x30 SUS410 (EN X12Cr13) Stainless Steel	4
24	142-128-24	Plain Washer M10 Kaltgewalztes Blech	4
25	032-437-12	Hose Coupling (for EUR)KTV(BSPT-3) FC	1
25	032-437-12	Hose Coupling (for EUR)KTV(BSPT-3) FC	1
26	121-141-15	Packing KRB-3/4 Type NR	1
27	140-288-14	Hex. Socket Cap Bolt M10x35 SUS304 (EN X5CrNi18-10) Stainless Steel	1
28	142-164-19	Spring Washer M10 SUS304 (EN X5CrNi18-10)	1
29	050-418-13	Motor Bracket FC	1
30	122-410-11	O-Ring 190x3.8 NBR	1
31	053-470-12	Motor Protector 380V-50HZ KA314-HKTL201 (H.C)	1
32	143-126-12	Pan Screw (w/Spring Washer/Plain Washer) M4x12 SWRM	2
33	009-213-18	Earth Terminal 3.5mm2x150l	1
34	143-085-34	Pan Screw (w/Spring Washer) M4x6 C3604 (EN CuZn39Pb3)	1
35	142-197-11	Wave Washer #6305 SK-5	1
36	052-108-13	Bearing 6305ZZC3	1
37	122-244-12	O-Ring 61.4x3.1 NBR	1
38	058-178-12	Lead Wire Protection Plate d74xd182x1.5t Bakelite	1
39	055-708-18	Rotor	1
40	147-026-13	Impeller Key 5x5x25l Stainless Steel	1
41	056-910-18	Stator 440V/60HZ	1
41	056-946-13	Stator 380V	1
42	121-505-11	Packing (Water Way, Upp.) KTZ35.5/67.5 NBR	1
43	064-489-18	Motor Frame FC	1
44	140-078-19	Hex.Bolt M10x35 SUS304 (EN X5CrNi18-10)	4
45	142-164-19	Spring Washer M10 SUS304 (EN X5CrNi18-10)	4
46	121-247-12	Packing (Oil Plug) d12.3xd18x2t PE	1
47	140-000-17	Hex.Bolt (w/Flange) M12x15(Oil Plug) SUS304 (EN X5CrNi18-10) Stainless Steel	1
48	140-030-35	Hex.Bolt M6x12 SWRM	4
49	062-220-13	Bearing Cover d80xd115x3.2t SPCC	1
50	052-111-19	Bearing 6308ZZC3	1
51	146-025-19	Retaining Ring C40 SK-5	1
52	122-135-19	O-Ring G-120 NBR	1
53	060-001-00	Bearing Housing FC	1
54	140-054-48	Hex.Bolt M8x20 SWRM	4
55	025-000-01	Mechanical Seal HT-2530N SiC	1
56, 57	143-070-23	Pan Screw M5x6 SWRM	2
56, 57	030-139-15	Oil Lifter For HT-2530 Resin	1
56, 57	143-070-10	Pan Screw M5x6 SWRM	4
56, 57	030-148-17	Seal Stopper For HT-2530 SPCC	1
58	122-283-13	O-Ring 165x3.1 NBR	1
59	121-124-12	Packing (Water Way, Low.) KTV-37/55 NBR	1
60	020-001-04	Pump Casing KTZ35.5/45.5 FC	1
61	026-144-49	Oil Seal TC-40588 NBR	1
62	040-106-27	Impeller Shim d20.2xd30x0.3t SUS304 (EN X5CrNi18-10) Stainless Steel	1
63	021-009-10	Impeller (50Hz) 50Hz HiCrFC	1
64	047-104-26	Impeller Thread Protect.Cover No.3B(18) SUS304 (EN X5CrNi18-10) Stainless Steel	1
65	142-166-11	Spring Washer M16 SUS304 (EN X5Cr18-10)	1
66	141-033-15	Hex.Cap Nut M16 SUS304 (EN X5Cr18-10)	1
67	120-109-21	Packing (S. Cover) d180xd220x0.3t PE	1
68	022-000-55	Suction Cover KTZ33.7 (FCD)	1
69	142-128-24	Plain Washer M10 Kaltgewalztes Blech	3
70	140-074-15	Hex.Bolt M10x20 SUS304 (EN X5CrNi18-10) Stainless Steel	3
71	142-128-24	Plain Washer M10 Kaltgewalztes Blech	3
72	144-000-09	Stud Bolt M10x96(22/14) SUS403 (EN X6Cr13) Stainless Steel	3
73	023-471-10	Strainer Stand KTZ23.7/45.5 SPCC	1
74	142-128-24	Plain Washer M10 Kaltgewalztes Blech	3
75	141-006-77	Hex.Nut M10 S45C	3
	173-515-15	Packing & O-Ring Set	1
	#oilVG32	ml Turbine Oil ISO VG32	1100

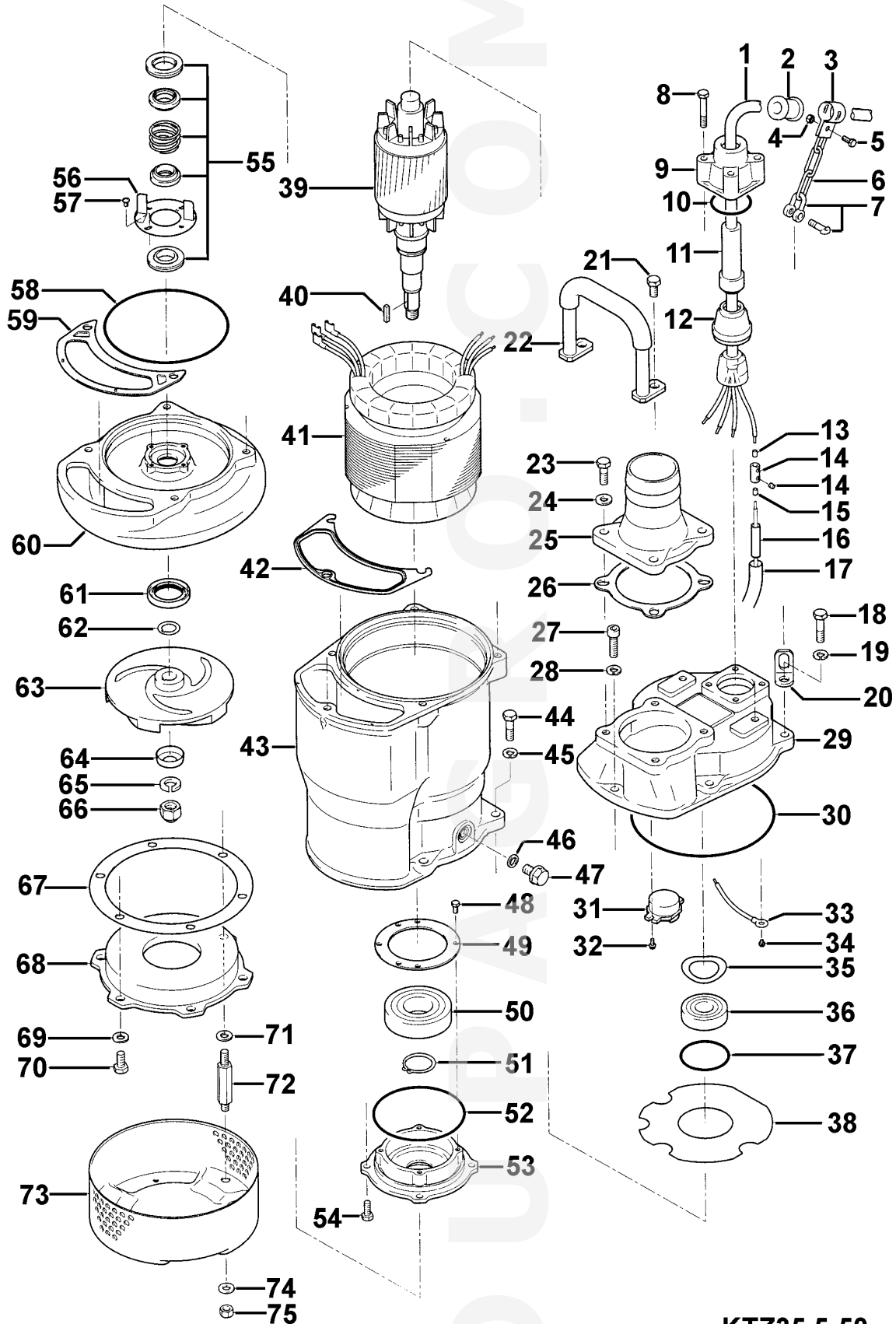
**Dupagro B.V.**

 Ooststeeg 102  
 6708 AX Wageningen  
 The Netherlands

Phone +31 (0) 317 840 197

[info@dupagro.com](mailto:info@dupagro.com)  
[www.dupagro.com](http://www.dupagro.com)

# Exploded View KTZ35.5-50



**KTZ35.5-50**

