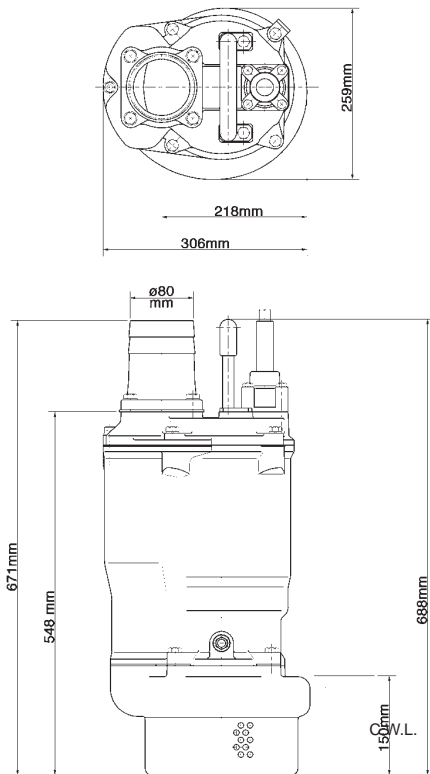
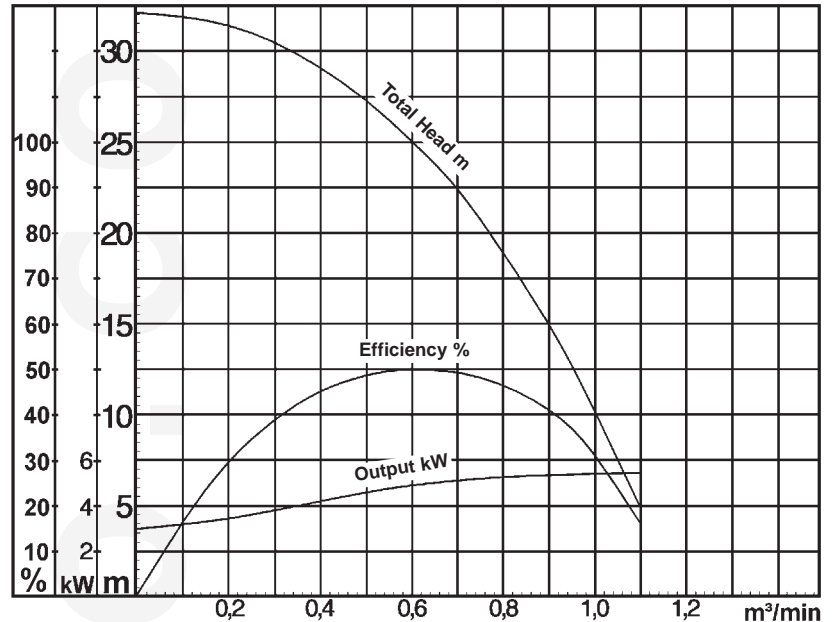


Data Sheet KTZ35.5-51



KTZ35.5-51 (A-10128-1)

C.W.L. = Continuous running water level



KTZ35.5-51 (A-10115-1)

Classification

Electric submersible pump
 Protection class IP68
 Depth of submersion max. 50m
 Open type impeller
 Max. solid handling 10 mm
 Suitable for spring water, rain water, ground water, sand carrying water

Electric Motor

Dry-type submersible induction motor,
 Insulation class F, 2 poles, 2945 r.p.m.
 Direct on line start
 Voltage: 400V, 50Hz, 3-phase
 Power input: 6,9kW
 Power output: 5,5kW
 Nominal current: 11,4A
 Start current: 85,0A

Electric Cable

20m H07RN-F 4Cx2,5mm²

Motor Protection

Circle thermal protector
 (snap-action bi-metal device)

Dupagro B.V.

Ooststeeg 102
 6708 AX Wageningen
 The Netherlands

Phone +31 (0) 317 840 197
info@dupagro.com
www.dupagro.com

Shaft Seal

Double mechanical seal in oil bath
 additional lubrication by oil lifting device
 Primary Seal:
 silicon carbide on silicon carbide
 Secondary Seal:
 silicon carbide on carbon

Bearings

Shielded ball bearings, maintenance-free

Materials

Impeller:	Chromium iron casting
Casing:	FC200 (EN-GJL-200)
Suction Cover:	FCD500 (EN-GJS-500-7)
Motor frame:	FC150 (EN-GJL-150)
Shaft:	SUS420J2 (EN-X30Cr13)

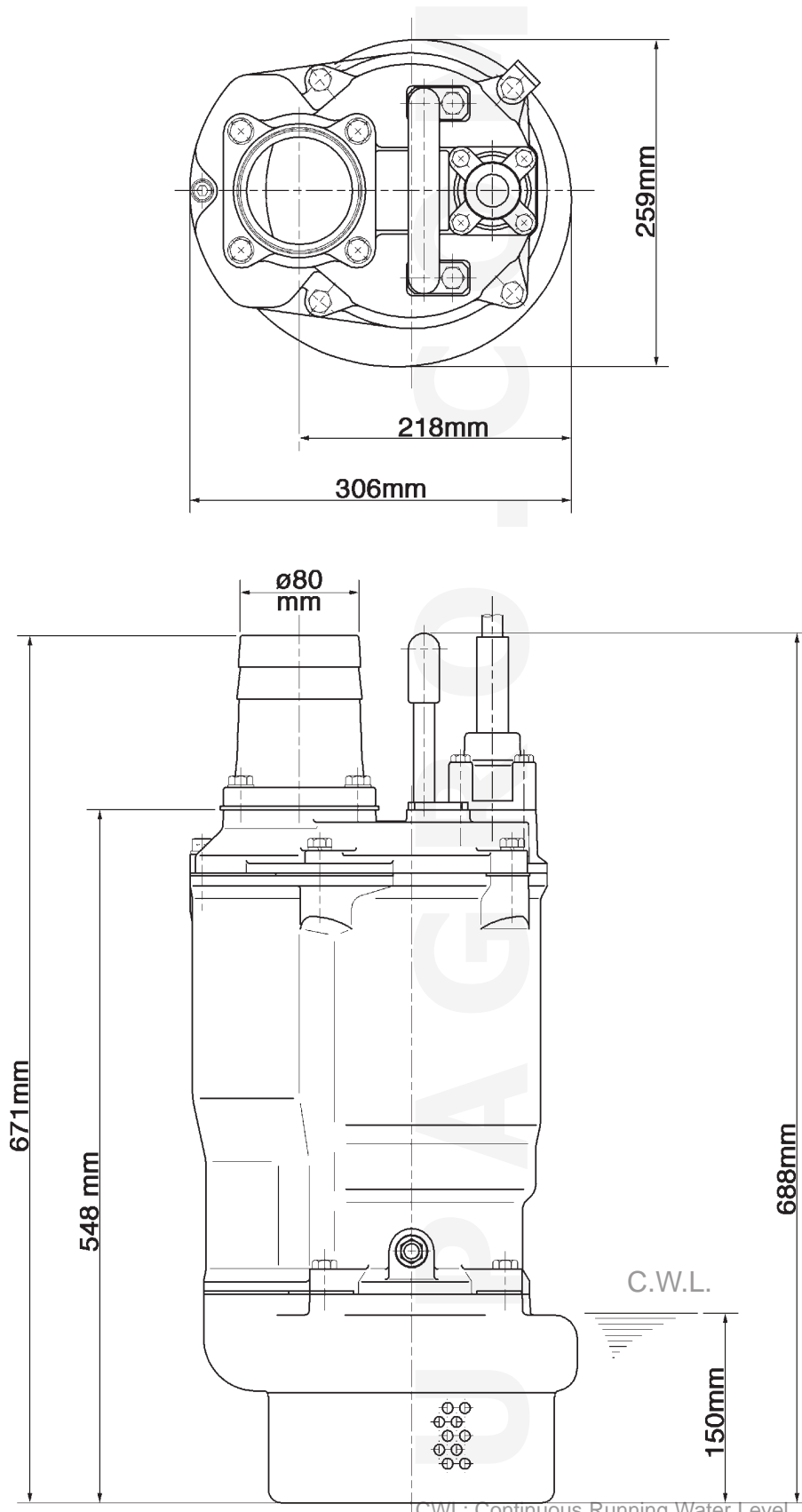
Discharge Connection

3" (80mm) BS-Coupling (threaded flange)

Weight

82 kg (dry weight of the pump without cable)

Dimensional Drawing KTZ35.5-51

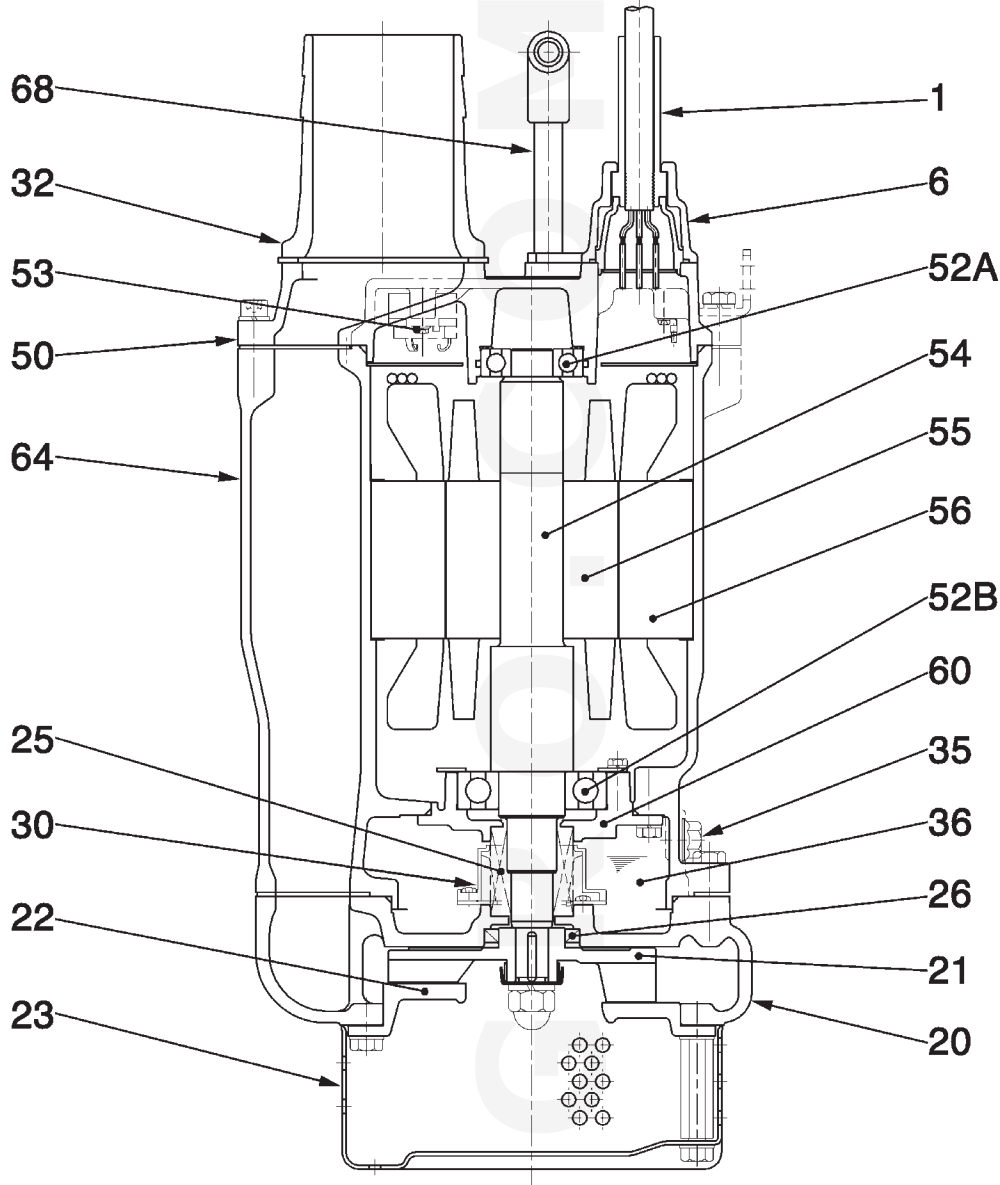


CWL: Continuous Running Water Level

KTZ35.5-51 (A-10128-1)

Sectional Drawing

KTZ35.5-51


KTZ35.5-51 (A-10132-1)

No.	Description	Qty.	Remarks	No.	Description	Qty.	Remarks
1	Cabtyre Cable	1	20m H07RN-F 4Cx2,5mm ²	52B	Lower Bearing	1	6308ZZC3
6	Stuffing Box	1	FC200 (EN-GJL-200)	53	Motor Protector	1	
20	Pump Casing	1	FC200 (EN-GJL-200)	54	Shaft	1	SUS420J2 (EN-X30Cr13)
21	Impeller	1	Chromium Iron Casting HiCrFC	55	Rotor	1	
22	Suction Cover	1	FCD500 (EN-GJS-500-7)	56	Stator Complete	1	
23	Strainer Stand	1	Steel Plate SPCC	60	Bearing Housing	1	FC150 (EN-GJL-150)
25	Mechanical Seal	1	H-2530N	64	Motor Frame	1	FC150 (EN-GJL-150)
26	Oil Seal	1	DD40588	68	Handle	1	Carbon Steel SGP/Structure Steel SS
30	Oil Lifter	1	Plastic				
32	Hose Coupling	1	Aluminium Alloy Casting ADC12				
35	Oil Plug	1	SUS304 (EN-X5CrNi18-10)				
36	Lubricant		Turbine Oil (ISO VG32)				
50	Motor Bracket	1	FC150 (EN-GJL-150)				
52A	Upper Bearing	1	6305ZZC3				

Dupagro B.V.

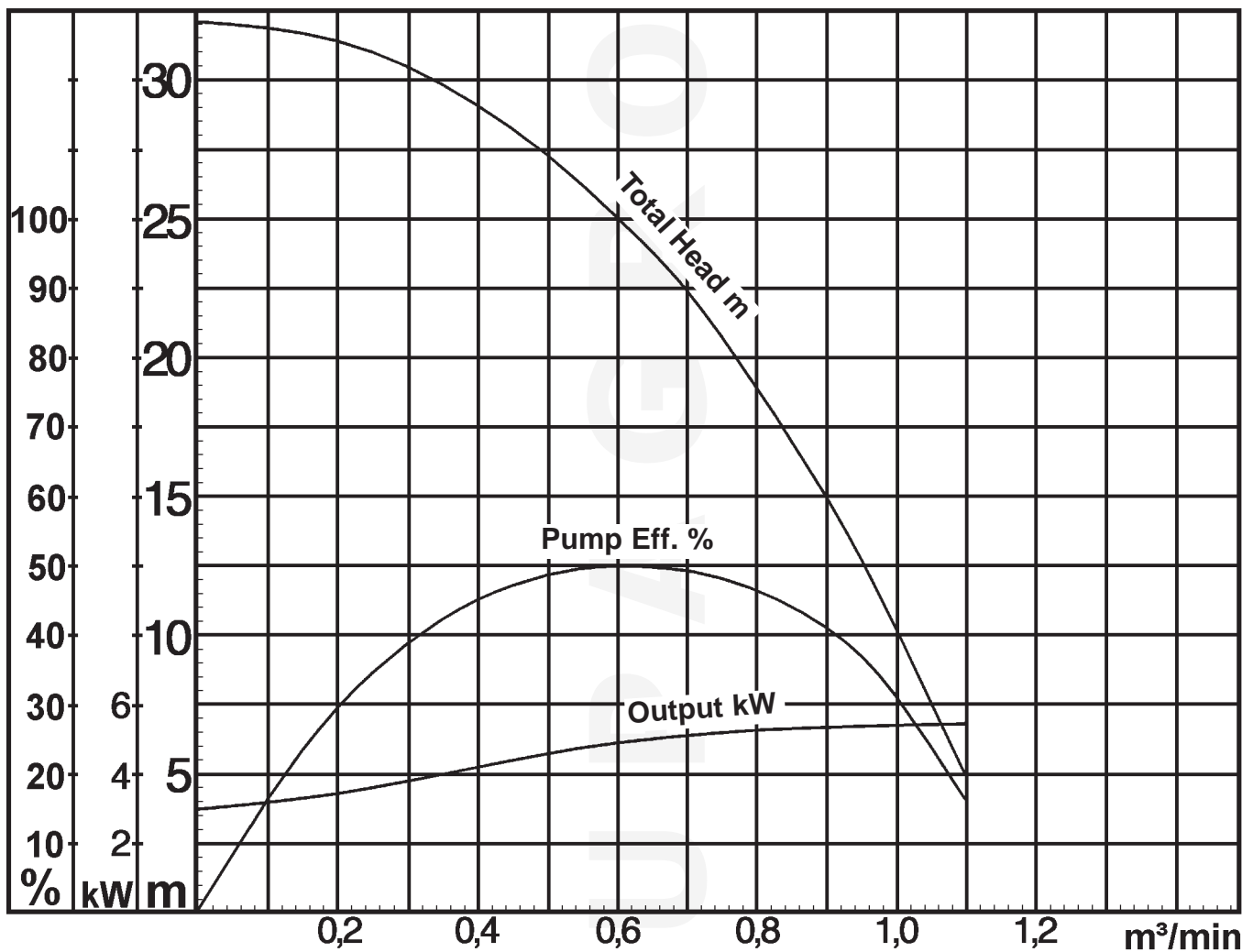
 Ooststeeg 102
 6708 AX Wageningen
 The Netherlands

 Phone +31 (0) 317 840 197
info@dupagro.com
www.dupagro.com

Pump Performance Curve

KTZ35.5-51

Discharge Bore	80 mm
Total Head	25 m
Capacity	0,60 m ³ /min
Motor Output	5,5 kW
Motor Input	6,9 kW
Phase	3
Voltage	400 V
Frequency	50 Hz
Rated Current	11,4 A
Starting Current	85,0 A
Poles	2
Revolution	S.S. 2945 r.p.m.
Starting Method	direct on line
Insulation Class	F



KTZ35.5-51 (A-10115-1)

KTZ35.5-50

2016-09-19 V.18 / 1.10.2015

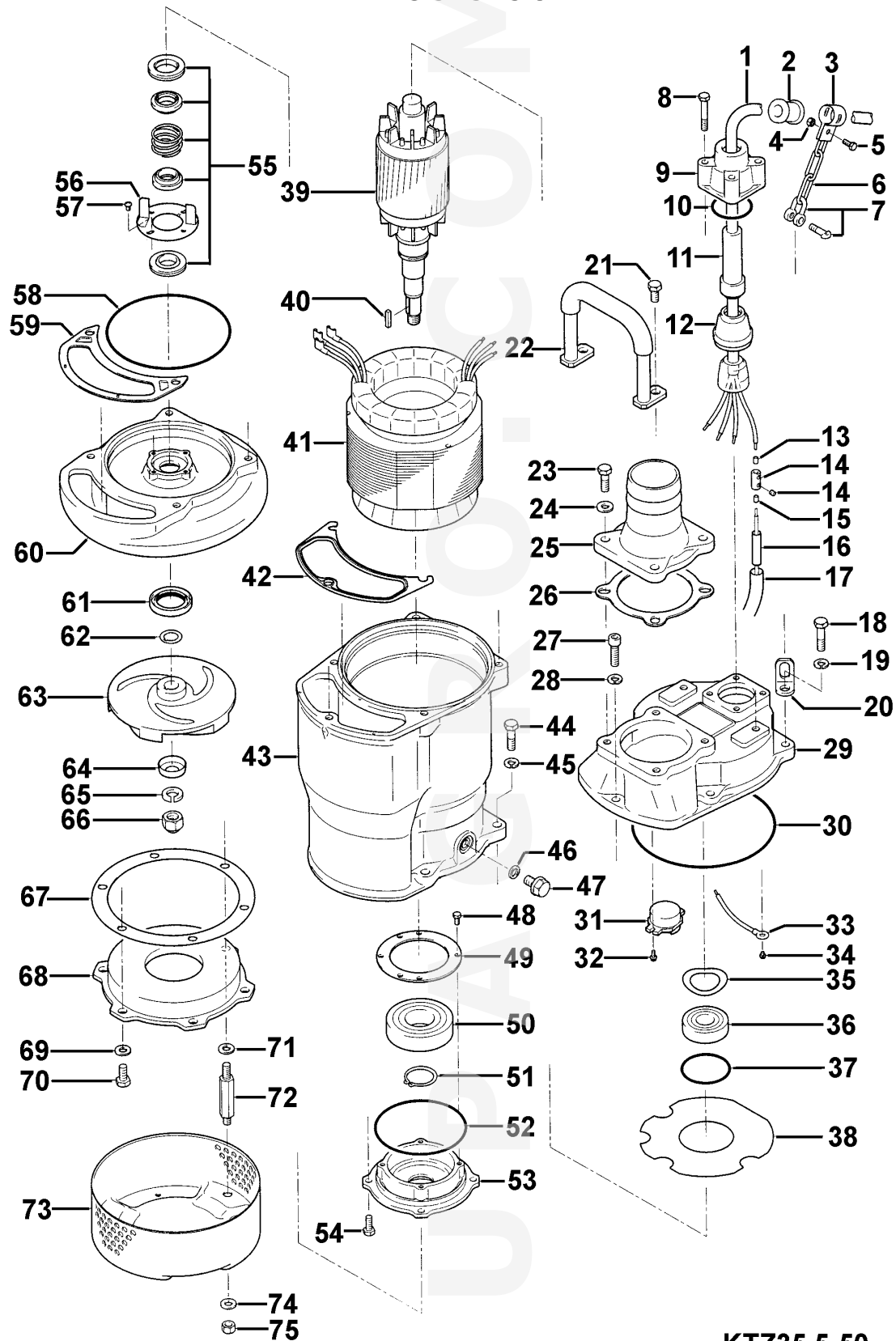
Item	Item no.	Description	Quant.
1	001-TEG-02	Cabtyre Cable Set (20m) H07RN-F4Cx2,5mm ² without stuffing box	1
1	M01-TEG-02	Cabtyre Cable Set (20m) NSSH0U 4Cx2,5mm ²	1
2	010-121-19	Cable Clip Rubber No.1 NBR	1
3	010-120-18	Cable Clip No.2-1 SPC	1
4	141-004-33	Hex.Nut M6 SWRM	1
5	140-032-37	Hex.Bolt M6x15 SWRM	1
6	095-131-18	Chain d4(3-Link) SS	1
7	011-110-11	Shackle 6mm SS	1
8	140-060-18	Hex.Bolt M8x50 SUS304	4
9	006-167-17	Stuffing Box No.1-3 FC	1
10	122-121-12	O-Ring G-50 NBR	1
11	004-168-12	Cable Bush No.2 CR	1
12	008-156-19	Mould Cover No.1-3 ADC	1
13	009-123-10	Terminal P-5.5 CU	4
14	009-101-12	Terminal(C/W Screw) d12x(d6.6xd6.6)x25l BSBM	4
15	009-123-10	Terminal P-5.5 CU	4
16	002-129-15	Heat Shrink Tube (Sold per meter) EVA(d14x1t) (Vm)	1
17	002-132-11	Heat Shrink Tube (Sold per meter) A4(d17x0.3t) (Vm)	1
18	140-079-10	Hex.Bolt M10x40 SUS304 (EN X5Cr18-10)	4
19	142-164-19	Spring Washer M10 SUS304 (EN X5CrNi18-10)	4
20	070-117-11	L-Shape Fitting 40x25x4.5t d13Hole SPC	1
21	140-074-15	Hex.Bolt M10x20 SUS304 (EN X5CrNi18-10) Stainless Steel	2
22	068-000-36	Handle KTZ23.7/45.5 SGP+SS	1
23	140-076-59	Hex.Bolt M10x30 SUS410 (EN X12Cr13) Stainless Steel	4
24	142-128-24	Plain Washer M10 Kaltgewaltes Blech	4
25	032-437-12	Hose Coupling (for EUR)KTV(BSPT-3) FC	1
25	032-437-12	Hose Coupling (for EUR)KTV(BSPT-3) FC	1
26	121-141-15	Packing KRB-3/4 Type NR	1
27	140-288-14	Hex. Socket Cap Bolt M10x35 SUS304 (EN X5CrNi18-10) Stainless Steel	1
28	142-164-19	Spring Washer M10 SUS304 (EN X5CrNi18-10)	1
29	050-418-13	Motor Bracket FC	1
30	122-410-11	O-Ring 190xd3.8 NBR	1
31	053-470-12	Motor Protector 380V-50HZ KA314-HKTL201 (H.C)	1
32	143-126-12	Pan Screw (w/Spring Washer/Plain Washer) M4x12 SWRM	2
33	009-213-18	Earth Terminal 3.5mmx2x150l	1
34	143-085-34	Pan Screw (w/Spring Washer) M4x6 C3604 (EN CuZn39Pb3)	1
35	142-197-11	Wave Washer #6305 SK-5	1
36	052-108-13	Bearing 6305ZZC3	1
37	122-244-12	O-Ring 61.4xd3.1 NBR	1
38	058-178-12	Lead Wire Protection Plate d74xd182x1.5t Bakelite	1
39	055-708-18	Rotor	1
40	147-026-13	Impeller Key 5x5x25l Stainless Steel	1
41	056-910-18	Stator 440V/60HZ	1
41	056-946-13	Stator 380V	1
42	121-505-11	Packing (Water Way, Upp.) KTZ35.5/67.5 NBR	1
43	064-489-18	Motor Frame FC	1
44	140-078-19	Hex.Bolt M10x35 SUS304 (EN X5CrNi18-10)	4
45	142-164-19	Spring Washer M10 SUS304 (EN X5CrNi18-10)	4
46	121-247-12	Packing (Oil Plug) d12.3xd18x2t PE	1
47	140-000-17	Hex.Bolt (w/Flange) M12x15(Oil Plug) SUS304 (EN X5CrNi18-10) Stainless Steel	1
48	140-030-35	Hex.Bolt M6x12 SWRM	4
49	062-220-13	Bearing Cover d80xd115x3.2t SPCC	1
50	052-111-19	Bearing 6308ZZC3	1
51	146-025-19	Retaining Ring C40 SK-5	1
52	122-135-19	O-Ring G-120 NBR	1
53	060-001-00	Bearing Housing FC	1
54	140-054-48	Hex.Bolt M8x20 SWRM	4
55	025-000-01	Mechanical Seal HT-2530N SiC	1
56, 57	143-070-23	Pan Screw M5x6 SWRM	2
56, 57	030-139-15	Oil Lifter For HT-2530 Resin	1
56, 57	143-070-10	Pan Screw M5x6 SWRM	4
56, 57	030-148-17	Seal Stopper For HT-2530 SPCC	1
58	122-283-13	O-Ring 165xd3.1 NBR	1
59	121-124-12	Packing (Water Way, Low.) KTV-37/55 NBR	1
60	020-001-04	Pump Casing KTZ35.5/45.5 FC	1
61	026-144-49	Oil Seal TC-40588 NBR	1
62	040-106-27	Impeller Shim d20.2xd30x0.3t SUS304 (EN X5CrNi18-10) Stainless Steel	1
63	021-009-10	Impeller (50Hz) 50Hz HiCrFC	1
64	047-104-26	Impeller Thread Protect.Cover No.3B(18) SUS304 (EN X5CrNi18-10) Stainless Steel	1
65	142-166-11	Spring Washer M16 SUS304 (EN X5Cr18-10)	1
66	141-033-15	Hex.Cap Nut M16 SUS304 (EN X5Cr18-10)	1
67	120-109-21	Packing (S.Cover) d180xd220x0.3t PE	1
68	022-000-55	Suction Cover KTZ33.7 (FCD)	1
69	142-128-24	Plain Washer M10 Kaltgewaltes Blech	3
70	140-074-15	Hex.Bolt M10x20 SUS304 (EN X5CrNi18-10) Stainless Steel	3
71	142-128-24	Plain Washer M10 Kaltgewaltes Blech	3
72	144-000-09	Stud Bolt M10x96(22/14) SUS403 (EN X6Cr13) Stainless Steel	3
73	023-471-10	Strainer Stand KTZ23.7/45.5 SPCC	1
74	142-128-24	Plain Washer M10 Kaltgewaltes Blech	3
75	141-006-77	Hex.Nut M10 S45C	3
	173-515-15	Packing & O-Ring Set	1
	##oilVG32	ml Turbine Oil ISO VG32	1100

 SHOWING PART LIST OF KTZ35.5-50 WHICH IS ABOUT THE SAME AS THE KTZ35.5-51
 DO MENTION YOUR EXACT PUMP TYPE IN YOUR INQUIRY!

Dupagro B.V.
 Ooststeeg 102
 6708 AX Wageningen
 The Netherlands

 Phone +31 (0) 317 840 197
info@dupagro.com
www.dupagro.com

Exploded View KTZ35.5-50


KTZ35.5-50

SHOWING PART LIST OF KTZ35.5-50 WHICH IS ABOUT THE SAME AS THE KTZ35.5-51
DO MENTION YOUR EXACT PUMP TYPE IN YOUR INQUIRY!

Dupagro B.V.
Ooststeeg 102
6708 AX Wageningen
The Netherlands

Phone +31 (0) 317 840 197
info@dupagro.com
www.dupagro.com

