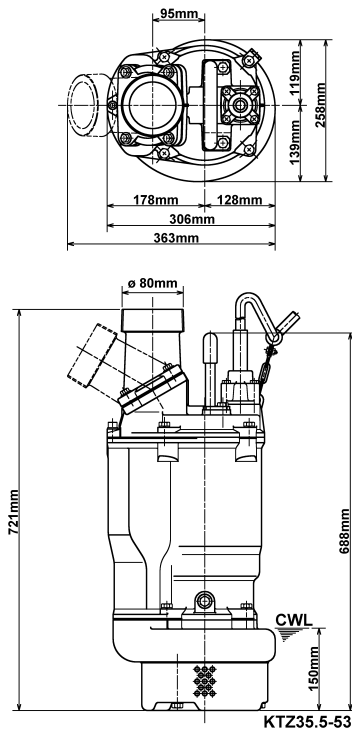
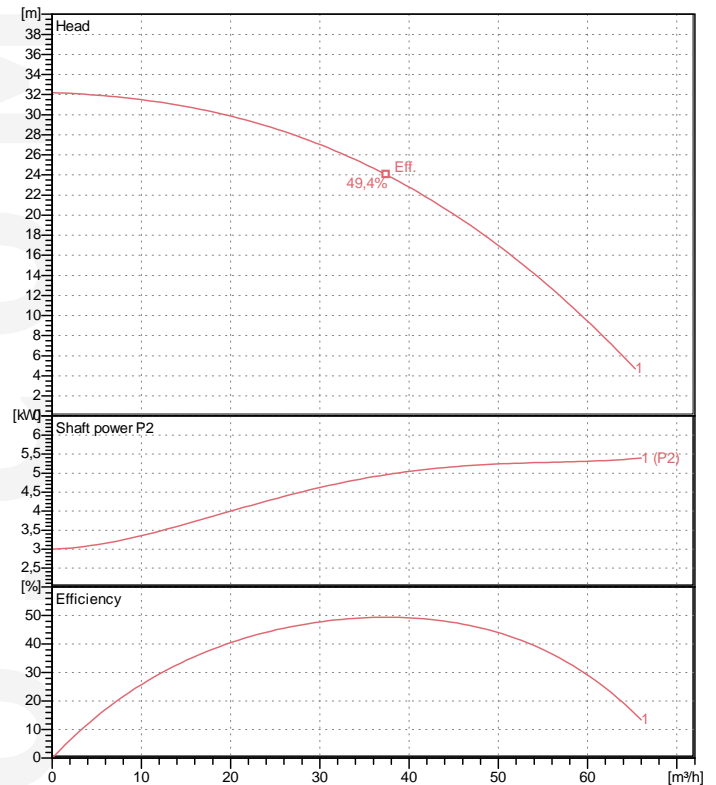


Data sheet KTZ35.5-53



CWL: Continuous running water level



Specification

Electric submersible pump
 Degree of protection IP 68
 Depth of submersion max. 25 m
 Type of impeller Semi-open
 Max. solid handling 8,5 mm
 Suitable for:
 spring-/rain-/waste-/ground water, water containing sand

Electric motor

Dry-type submersible induction motor
 Insulation class F 2Poles 2945 1/min
 Starting mode Directly
 Rated voltage 400 V 50 Hz 3~
 Power uptake 6,98 kW
 Rated power 5,50 kW
 Rated current 11,4 A
 Start current 85,0 A

Cable

20m NSSHÖU 4Cx2,5mm²

Motor Protection

Circle thermal protector
 (snap-action bi-metal device)

Dupagro B.V.

Ooststeeg 102
 6708 AX Wageningen
 The Netherlands

Phone +31 (0) 317 840 197
info@dupagro.com
www.dupagro.com

Shaft seal

Double inside mechanical seal in oil bath
 additional lubrication by oil lifting device

Primary seal

Silicon carbide on silicon carbide

Secondary seal

Silicon carbide on carbon

Bearings

Shielded ball bearings, maintenance-free

Materials

Impeller	Chromium Iron HiCrFC
Pump casing	FC200 (EN-GJL-200)
Suction cover	FCD50 (EN-GJS-500-7)
Motor Frame	FC150 (EN-GJL-150)
Shaft	SUS420J2 (EN-X30Cr13)

Discharge size

3" (80mm) BS-coupling (threaded flange)

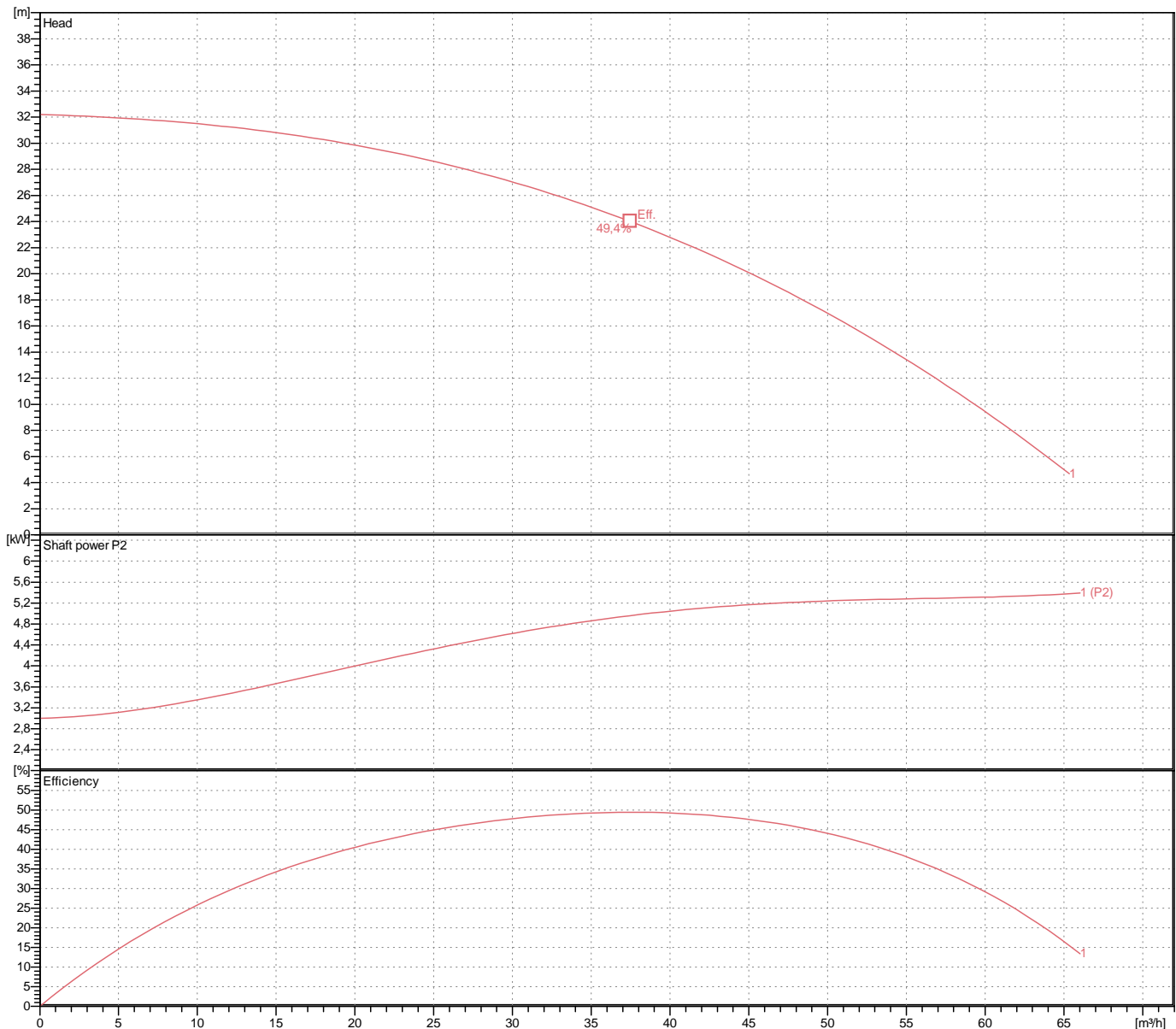
Weight

76 kg (dry weight of the pump only without cable)

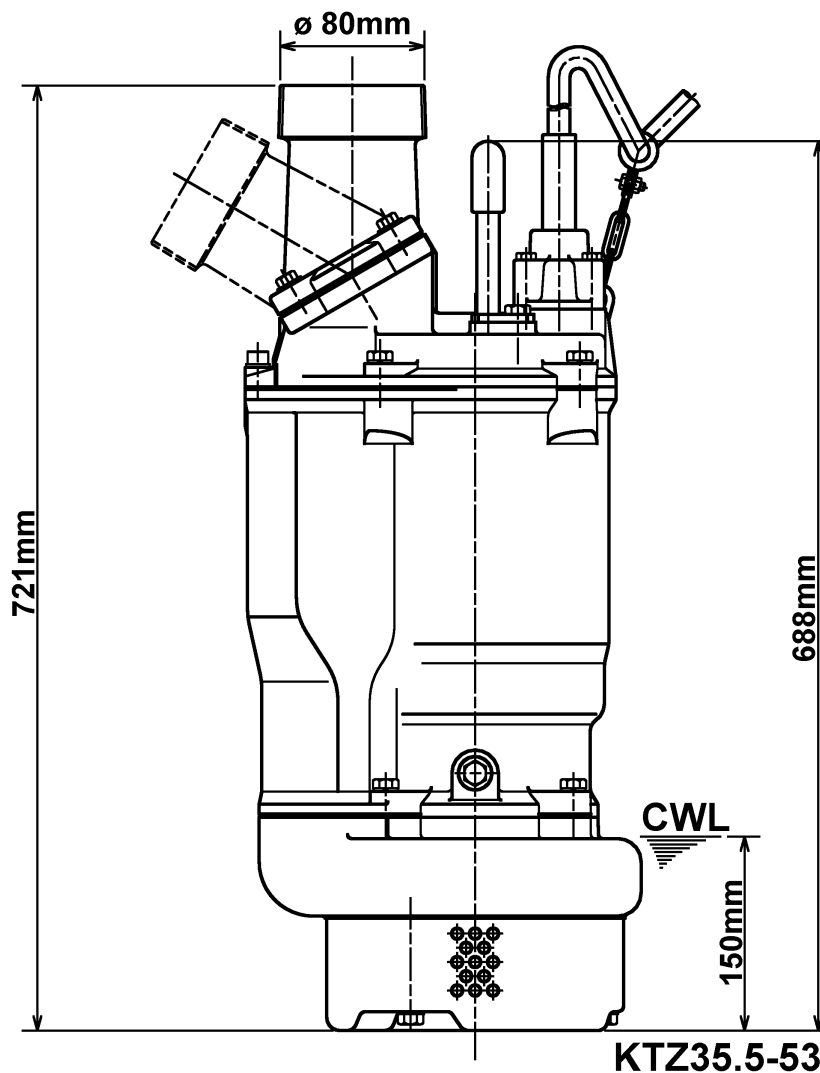
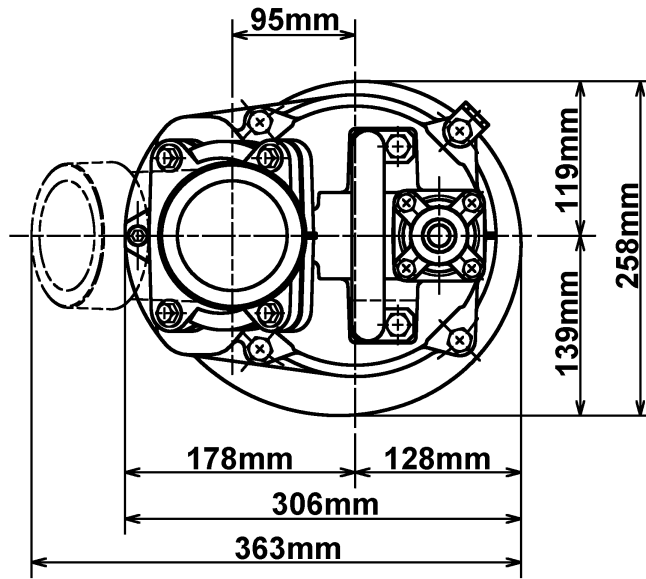
Performance curve

KTZ35.5-53

Discharge port	3"
Head	32,2 m
Flow	65,3 m ³ /h
Rated power	5,50 kW
Power input	6,98 kW
Phases	3~
Voltages	400 V
Frequency	50 Hz
Rated current	11,4 A
Starting current	85,04 A
Number of poles	2
Speed	2945 1/min
Starting mode	Directly
Insulation class	F



Dimensions KTZ35.5-53



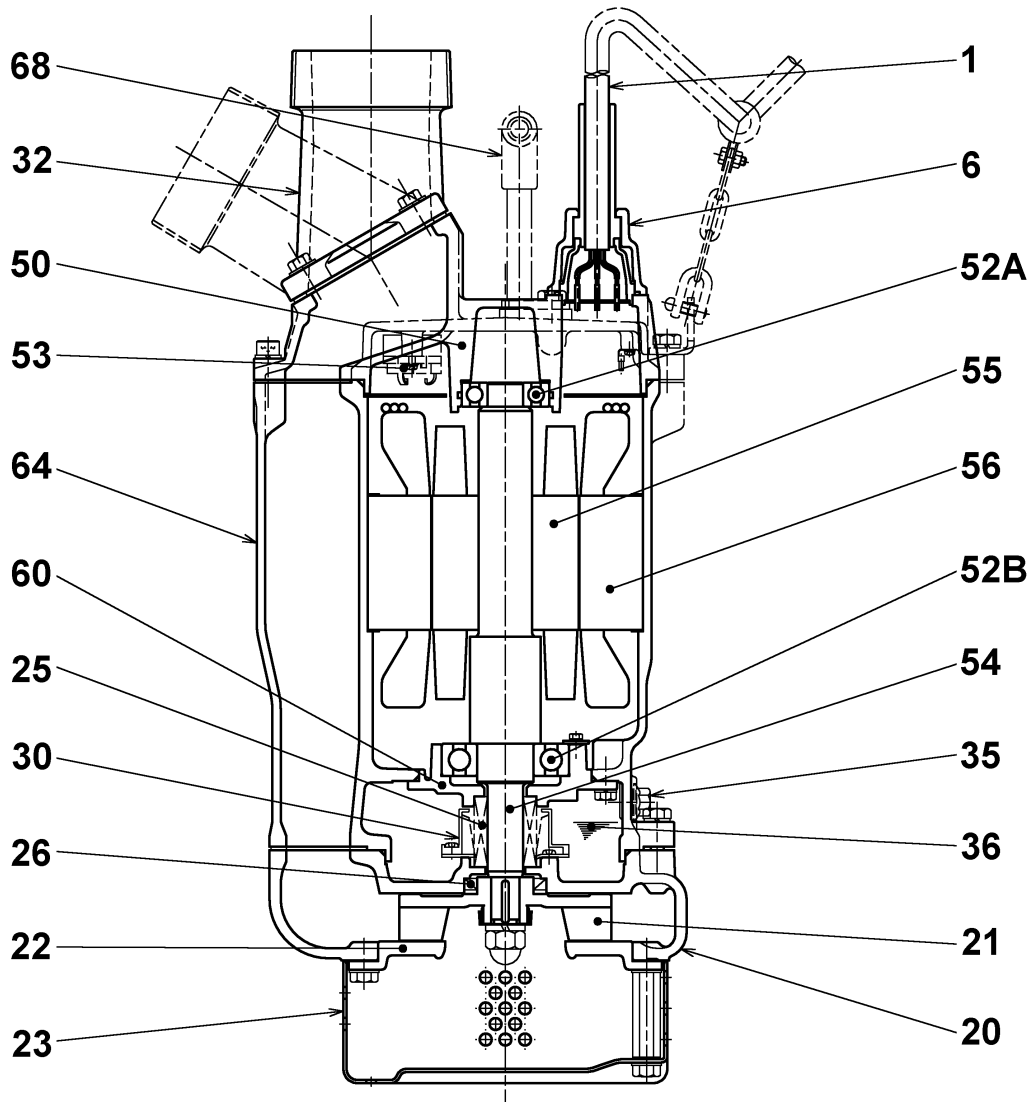
KTZ35.5-53

CWL: Continuous running water level
LWL: Lowest running water level

Dupagro B.V.
Ooststeeg 102
6708 AX Wageningen
The Netherlands

Phone +31 (0) 317 840 197
info@dupagro.com
www.dupagro.com

Sectional drawing KTZ35.5-53



No.	Description	Remark	No.	Description	Remark
1	Cable	20m NSSHÖU	54	Shaft	SUS420J2 (EN-X30Cr13)
6	Stuffing box	FC200 (EN-GJL-200)	55	Rotor	.
20	Pump casing	FC200 (EN-GJL-200)	56	Stator	.
21	Impeller	Chromium Iron HiCrFC	60	Bearing Housing	FC150 (EN-GJL-150)
22	Suction cover	FCD50 (EN-GJS-500-7)	64	Motor Frame	FC150 (EN-GJL-150)
23	Strainer	Steel plate	68	Handle	steel pipe / Sectional steel
25	Mechanical seal	H-2530N			
26	Oil seal	DD40588			
30	Oil distributor	Plastic			
32	Discharge coupling	Aluminium alloy casting			
35	Oil screw	SUS304 (EN-X5CrNi18-10)			
36	Lubricant	Turbine oil (ISO VG32)			
50	Main cover	FC150 (EN-GJL-150)			
52A	Upper bearing	6305ZZC3			
52B	Lower bearing	6308ZZC3			
53	Motor Protector 380/400/415V-50Hz KA314-HRXL00 (H.C)				

KTZ35.5-50

2016-09-19 V.18 / 1.10.2015

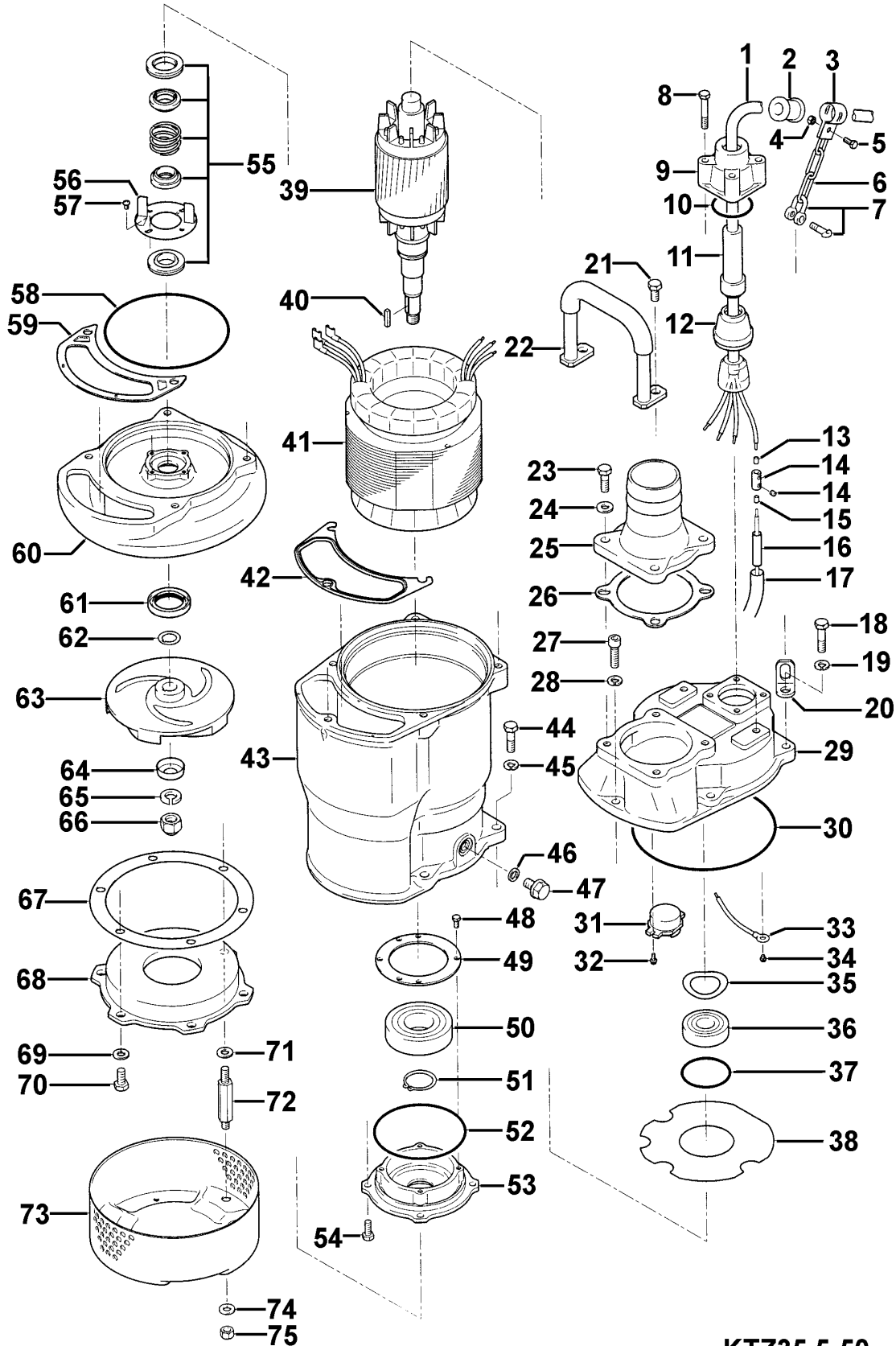
KTZ35.5-50			
Item	Item no.	Description	Quant.
1	001-TEG-02	Cabletyre Cable Set (20m) H07RN-F4C2,5mm ² without stuffing box	1
1	M01-TEG-02	Cabletyre Cable Set (20m) NSSHÖU 4C2,5mm ²	1
2	010-121-19	Cable Clip Rubber No.1 NBR	1
3	010-120-18	Cable Clip No.2-1 SPC	1
4	141-004-33	Hex.Nut M6 SWRM	1
5	140-032-37	Hex.Bolt M6x15 SWRM	1
6	095-131-18	Chain d4(3-Link) SS	1
7	011-110-11	Shackle 6mm SS	1
8	140-060-18	Hex.Bolt M6x50 SUS304	4
9	006-167-17	Stuffing Box No.1-3 FC	1
10	122-121-12	O-Ring G-50 NBR	1
11	004-168-12	Cable Bush No.2 CR	1
12	008-156-19	Mould Cover No.1-3 ADC	1
13	009-123-10	Terminal P-5.5 CU	4
14	009-101-12	Terminal (C/W Screw) d12x(d6.6xd6.6)x25l BSBM	4
15	009-123-10	Terminal P-5.5 CU	4
16	002-129-15	Heat Shrink Tube (Sold per meter) EVA(d14x1t) (V/m)	1
17	002-132-11	Heat Shrink Tube (Sold per meter) A4(d17x0.3t) (V/m)	1
18	140-079-10	Hex.Bolt M10x40 SUS304 (EN X5Cr18-10)	4
19	142-164-19	Spring Washer M10 SUS304 (EN X5CrNi18-10)	4
20	070-117-11	L-Shape Fitting 40x25x4,5t d13Hole SPC	1
21	140-074-15	Hex.Bolt M10x20 SUS304 (EN X5CrNi18-10) Stainless Steel	2
22	068-000-36	Handle KT Z23.7/45.5 SGP+SS	1
23	140-076-59	Hex.Bolt M10x30 SUS410 (EN X12Cr13) Stainless Steel	4
24	142-128-24	Plain Washer M10 Kaltgewalztes Blech	4
25	032-437-12	Hose Coupling (for EUR)KTV(BSPT-3) FC	1
25	032-437-12	Hose Coupling (for EUR)KTV(BSPT-3) FC	1
26	121-141-15	Packing KRB-3/4 Type NR	1
27	140-288-14	Hex. Socket Cap Bolt M10x35 SUS304 (EN X5CrNi18-10) Stainless Steel	1
28	142-164-19	Spring Washer M10 SUS304 (EN X5CrNi18-10)	1
29	050-418-13	Motor Bracket FC	1
30	122-410-11	O-Ring 190x3.8 NBR	1
31	053-470-12	Motor Protector 380V-50HZ KA314-HKTL201 (H.C)	1
32	143-126-12	Pan Screw (w/Spring Washer/Plain Washer) M4x12 SWRM	2
33	009-213-18	Earth Terminal 3.5mm2x150l	1
34	143-085-34	Pan Screw (w/Spring Washer) M4x6 C3604 (EN CuZn39Pb3)	1
35	142-197-11	Wave Washer #6305 SK-5	1
36	052-108-13	Bearing 6305ZZC3	1
37	122-244-12	O-Ring 61.4xd3.1 NBR	1
38	058-178-12	Lead Wire Protection Plate d74xd182x1.5t Bakelite	1
39	055-708-18	Rotor	1
40	147-026-13	Impeller Key 5x5x25l Stainless Steel	1
41	056-910-18	Stator 440V/60HZ	1
41	056-946-13	Stator 380V	1
42	121-505-11	Packing (Water Way, Upp.) KT Z35.5/67.5 NBR	1
43	064-489-18	Motor Frame FC	1
44	140-078-19	Hex.Bolt M10x35 SUS304 (EN X5CrNi18-10)	4
45	142-164-19	Spring Washer M10 SUS304 (EN X5CrNi18-10)	4
46	121-247-12	Packing (Oil Plug) d12.3xd18x2t PE	1
47	140-000-17	Hex.Bolt (w/Flange) M12x15(Oil Plug) SUS304 (EN X5CrNi18-10) Stainless Steel	1
48	140-030-35	Hex.Bolt M6x12 SWRM	4
49	062-220-13	Bearing Cover d80xd115x3.2t SPCC	1
50	052-111-19	Bearing 6308ZZC3	1
51	146-025-19	Retaining Ring C40 SK-5	1
52	122-135-19	O-Ring G-120 NBR	1
53	060-001-00	Bearing Housing FC	1
54	140-054-48	Hex.Bolt M8x20 SWRM	4
55	025-000-01	Mechanical Seal HT-2530N SiC	1
56, 57	143-070-23	Pan Screw M5x6 SWRM	2
56, 57	030-139-15	Oil Lifter For HT-2530 Resin	1
56, 57	143-070-10	Pan Screw M5x6 SWRM	4
56, 57	030-148-17	Seal Stopper For HT-2530 SPCC	1
58	122-283-13	O-Ring 165x3.1 NBR	1
59	121-124-12	Packing (Water Way, Low.) KTV-37/55 NBR	1
60	020-001-04	Pump Casing KT Z35.5/45.5 FC	1
61	026-144-49	Oil Seal TC-40588 NBR	1
62	040-106-27	Impeller Shim d20.2xd30x0.3t SUS304 (EN X5CrNi18-10) Stainless Steel	1
63	021-009-10	Impeller (50Hz) 50Hz HiCrFC	1
64	047-104-26	Impeller Thread Protect.Cover No.3B(18) SUS304 (EN X5CrNi18-10) Stainless Steel	1
65	142-166-11	Spring Washer M16 SUS304 (EN X5Cr18-10)	1
66	141-033-15	Hex.Cap Nut M16 SUS304 (EN X5Cr18-10)	1
67	120-109-21	Packing (S. Cover) d180xd220x0.3t PE	1
68	022-000-55	Suction Cover KT Z33.7 (FCD)	1
69	142-128-24	Plain Washer M10 Kaltgewalztes Blech	3
70	140-074-15	Hex.Bolt M10x20 SUS304 (EN X5CrNi18-10) Stainless Steel	3
71	142-128-24	Plain Washer M10 Kaltgewalztes Blech	3
72	144-000-09	Stud Bolt M10x96(22/14) SUS403 (EN X6Cr13) Stainless Steel	3
73	023-471-10	Strainer Stand KT Z23.7/45.5 SPCC	1
74	142-128-24	Plain Washer M10 Kaltgewalztes Blech	3
75	141-006-77	Hex.Nut M10 S45C	3
	173-515-15	Packing & O-Ring Set	1
	#oilVG32	ml Turbine Oil ISO VG32	1100

 SHOWING PART LIST OF KTZ35.5-50 WHICH IS ABOUT THE SAME AS THE KTZ35.5-51
 DO MENTION YOUR EXACT PUMP TYPE IN YOUR INQUIRY!

Dupagro B.V.
 Ooststeeg 102
 6708 AX Wageningen
 The Netherlands

 Phone +31 (0) 317 840 197
info@dupagro.com
www.dupagro.com

Exploded View KTZ35.5-50



KTZ35.5-50

SHOWING PART LIST OF KTZ35.5-50 WHICH IS ABOUT THE SAME AS THE KTZ35.5-51
DO MENTION YOUR EXACT PUMP TYPE IN YOUR INQUIRY!

Dupagro B.V.
Ooststeeg 102
6708 AX Wageningen
The Netherlands

Phone +31 (0) 317 840 197
info@dupagro.com
www.dupagro.com

